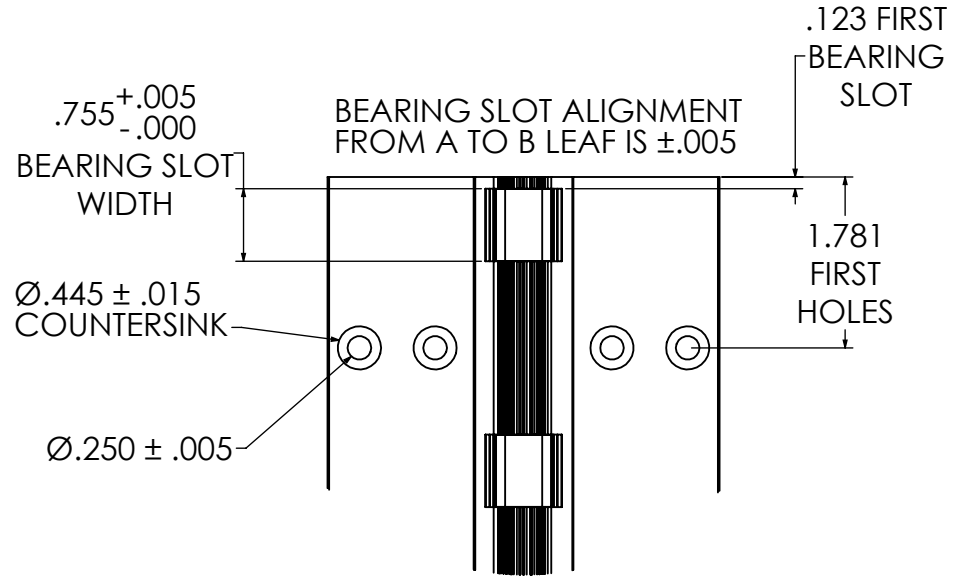
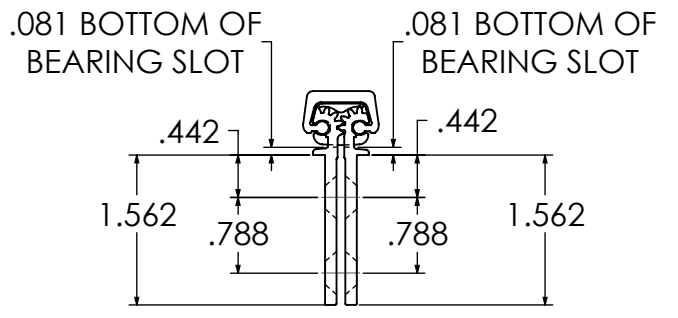


SCALE 1 : 2



DETAIL A
SCALE 1 : 2



SCALE 1 : 2

New Hole Pattern



PROPRIETARY & CONFIDENTIAL THE INFORMATION CONTAINED IN THIS DRAWING IS THE SOLE PROPERTY OF HAGER COMPANIES. ANY REPRODUCTION IN PART OR AS A WHOLE WITHOUT THE WRITTEN PERMISSION OF HAGER COMPANIES IS PROHIBITED.

REVISIONS				
REV.	DESCRIPTION	ECO NO.	BY	DATE
2	NEW HOLE PATTERN, CHANGE TOLERANCE		KKJ	03/23/15

TOLERANCE:
UNLESS OTHERWISE SPECIFIED:
X = ± .060"
.XX = ± .030"
.XXX = ± .015"
ANGLE = ± 2°
FRACTION = ± 1/32

REMOVE ALL BURRS
BREAK SHARP EDGES .01 MAX

DRAWN BY: KBJ DATE: 10/25/96
WEIGHT: 7.2 LBS. SCALE: 1:12

DESCRIPTION:
**TEMPLATE
780-112 HEAVY
DUTY ROTON HINGE
83" LONG**

DRAWING NO. **780-112-HD-83** REV. **2**