

Wall-Mount Sliding Door Hardware



Architecturally Designed Wall-Mount
Sliding Door Hardware for Commercial
and Residential Spaces



9710 Aluminum Wall-Mount System for 250 lb Sliding Doors.



Aluminum wall-mount track, fascia, end caps and hardware for heavy duty single door and bi-parting doors.

Headliners:

- Track supports up to 250 lbs
- Easy glide 4-wheel ball bearing carriers
- Fastener concealment
- Two finishes to choose between: anodized aluminum or dark bronze

Advantages:

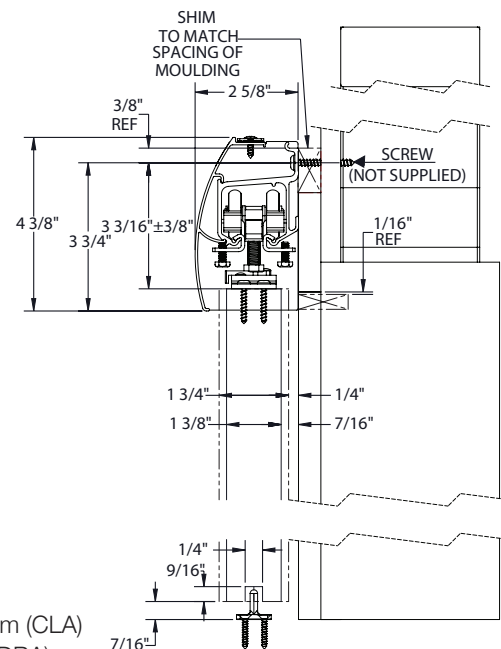
- Effortless installation
- Ergonomically designed
- Architecturally appealing
- Space saving solution

Applications:

Commercial: &	Residential:
Office	Restroom
Healthcare	Pantry
Hospitality	Closets
	Room Divider

- Door thickness: 1" to 1-3/4"
- Load rating: Up to 250 lbs.
- Length options: 60" (1524 mm)
72" (1839 mm)
96" (2438 mm)
144" (3658 mm)
- Track material: Extruded aluminum
- Carrier: 4-wheel ball bearing
- Compares to: Pemko 280SWT,
Johnson 2610F,
2610FB
- Conforms to: ANSI BHMA
A156.14-2007
Grade 1, D8011
Grade 2, D8721
- Finishes: Clear Anodized Aluminum (CLA)
Dark Bronze Anodized (DBA)

Side Wall-Mount



Effortless Installation



Step 1: Install wall-mount track.



Step 2: Secure end caps to fascia.



Step 3: Snap fascia onto wall-mount track.



Hager Companies Corporate Office
139 Victor Street
St. Louis, MO 63104
314.772.4400 • 800.325.9995
www.hagerco.com