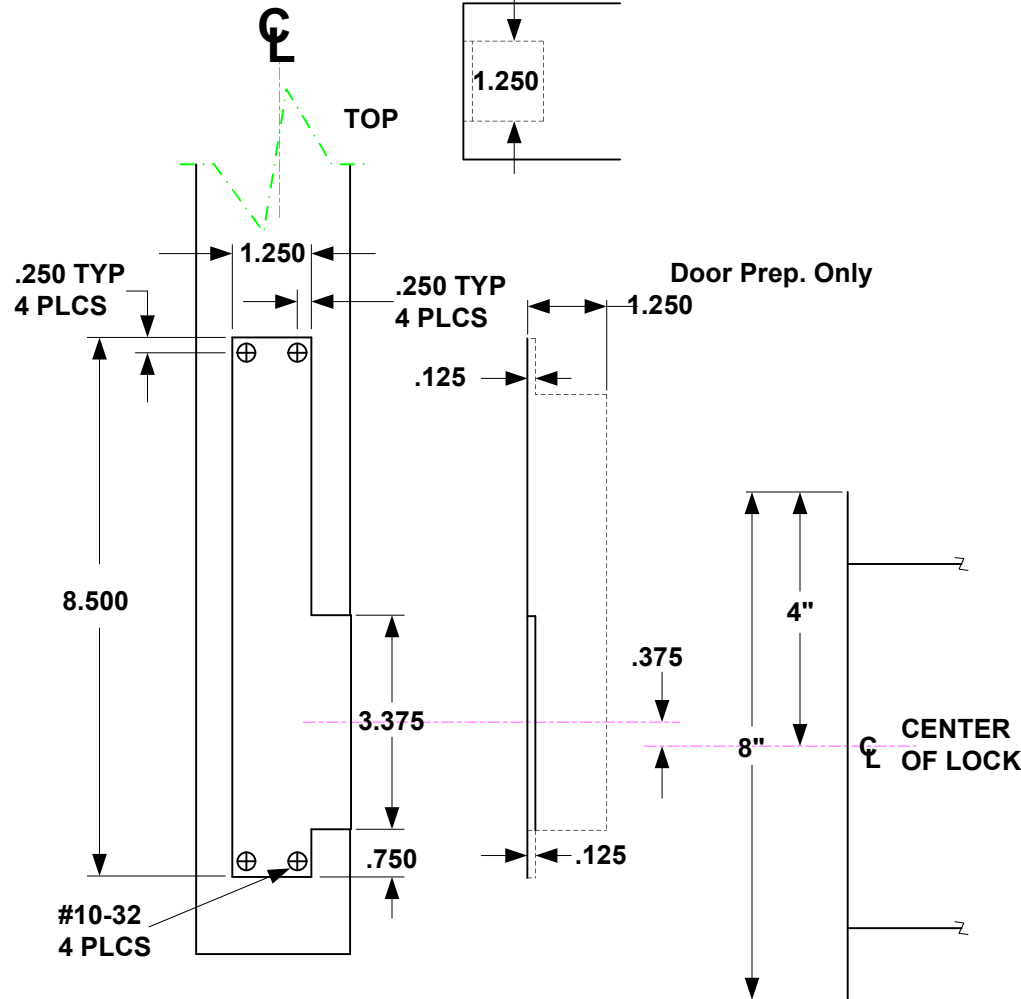


# SDC Security Door Controls

801 Avenida Acaso, Camarillo, CA 93012 • (800) 413-8783

www.sdcsecurity.com • E-mail: service@sdsecurity.com

## HITOWER Z, S, I, D, P, T, H & N 7500 SERIES TEMPLATE 1-1/4" - 1-3/4" FRAMES



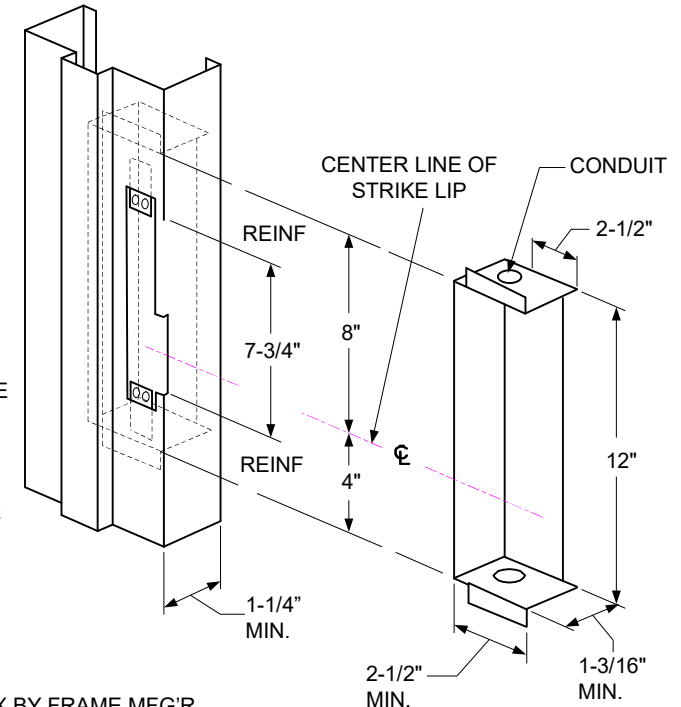
**NOT TO SCALE**

NOTE:  
CONCRETE/  
MASONRY  
DETAIL  
SHOWN

FOR STRIKE  
RELATION TO  
LOCK SEE  
LEFT SIDE OF  
TEMPLATE

NOTE:  
MINIMUM FRAME  
FACE 1-1/4"

RIGHT HAND  
SHOWN, LEFT  
HAND OPPOSITE



ELECTRICAL BOX BY FRAME MFG'R

### IMPORTANT

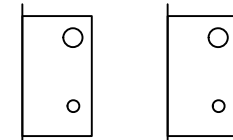
Details show space requirements for electric controller box. Allowances for different wall construction materials must be taken into consideration. Install conduit connectors in top of box before welding to frame.

### NOTE:

THE 7-3/4" CLEARANCE BETWEEN THE STRIKE REINFORCEMENT TABS IS CRITICAL. \*MAXIMUM THICKNESS OF TABS .125

UL LISTED BOX AS SHOWN AVAILABLE FROM SECURITY DOOR CONTROLS PART #7500EB-N

### HOLES REQUIRED FUNCTIONS



CYL OUTSIDE ONLY	CYL BOTH SIDES
7550	7530

### Door Prep. Only

Identify the lock and manufacturer by letter prefix. Review proper manufactures template requirements for **door prep only**. See details far left and above for frame prep.

SOURCE #	MODEL #
Z SDC	7500
S Schlage	L9080
I Corbin/Russwin	ML2057
D Sargent	8200
P Yale	8805
T Best	45H
N Arrow	B12
H Hager	3880