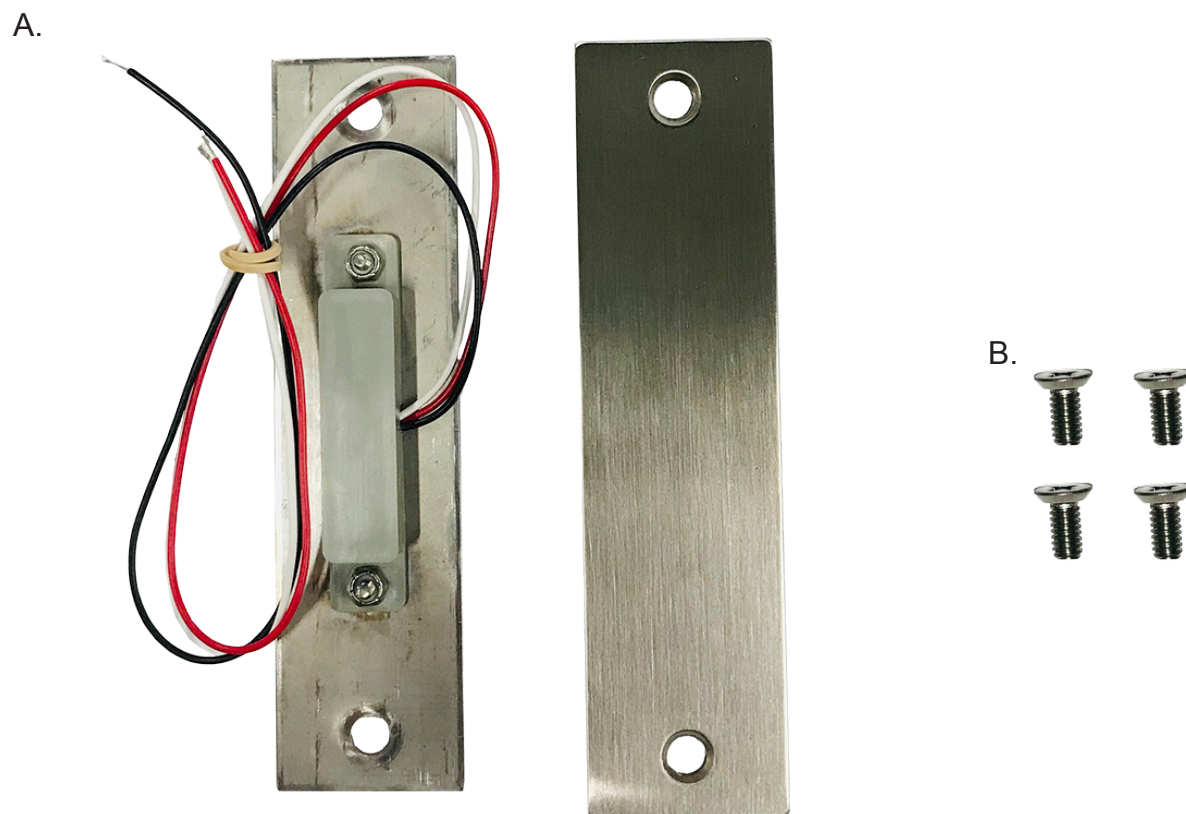


IDPSC-1

INSERT INSTRUCTIONS

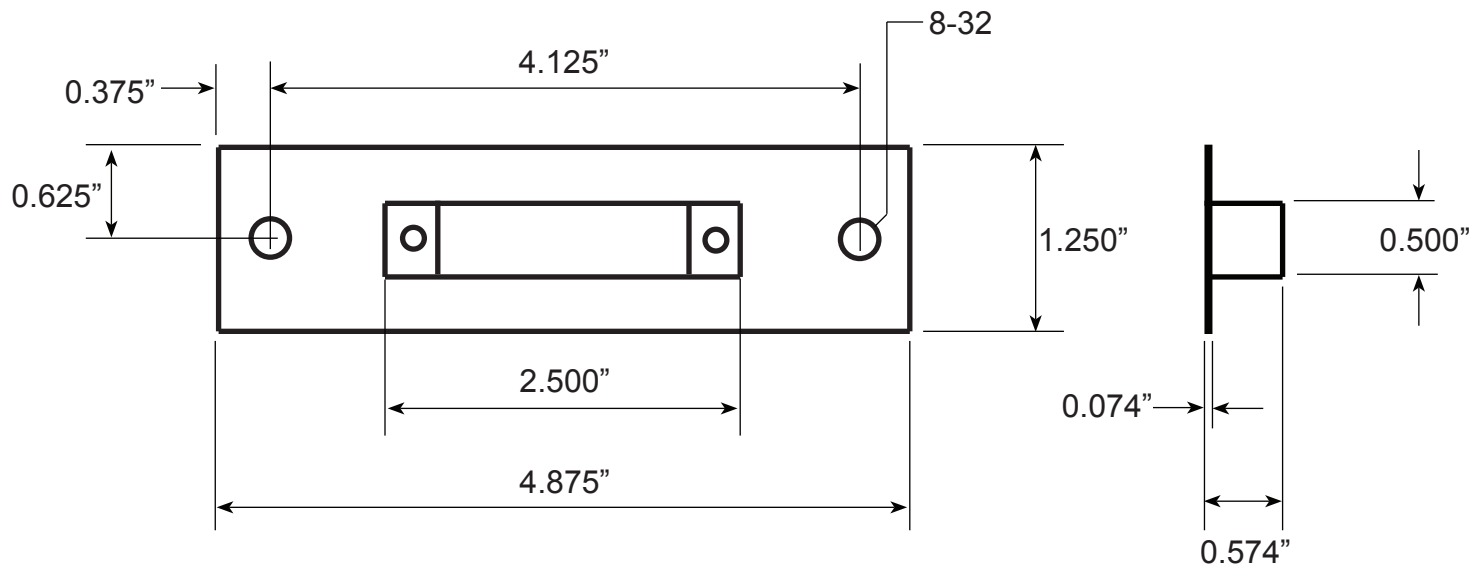
The Command Access IDPSC-1 is a field-installable Independent Door Position Sensor (Concealed). This switch is designed for hollow metal, FRP and wood doors and frames.



INCLUDED IN KIT

- A. IDPSC-1
- B. Machine Screws 8-32 (x4)

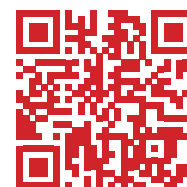
INSTALLATION TEMPLATE



SPECIFICATIONS:

- Single Pole - Double Throw (SPDT)
- Rating: .1A @ 30VAC/VDC
- Max Gap: 1"
- Configuration: Black - Common (C)
White - Normally Open (NO)
Red - Normally Closed (NC)

Link to Command Access website and instructions



SCAN ME FOR
MORE INFORMATION