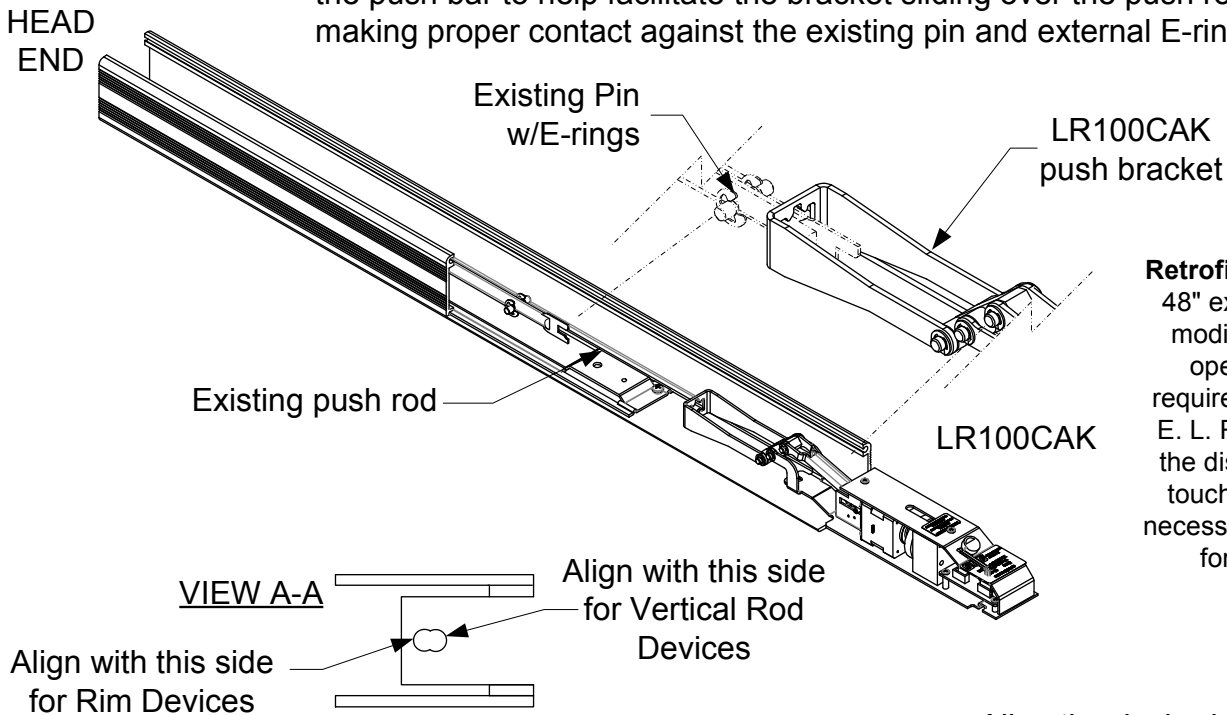


SDC Security Door Controls

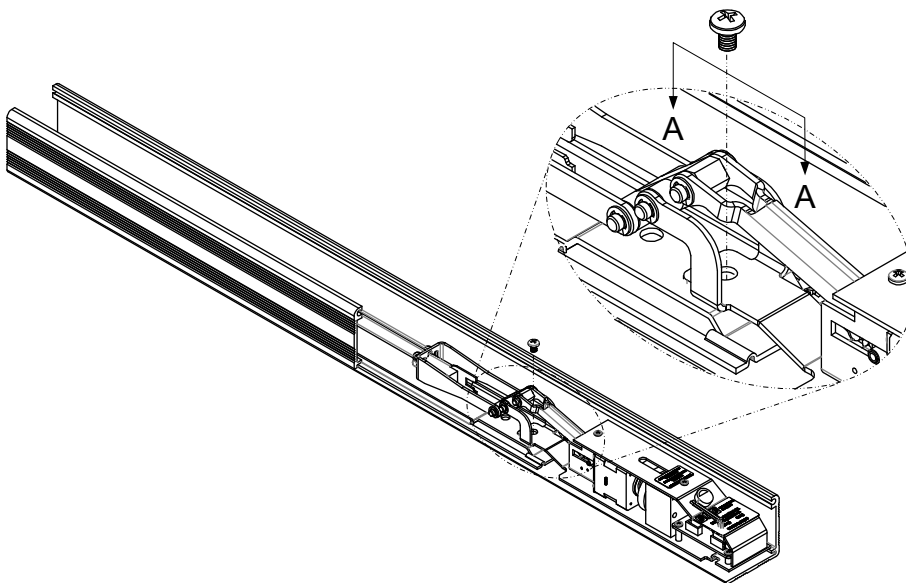
801 Avenida Acaso, Camarillo, Ca. 93012 • (805) 494-0622 •
www.sdcsecurity.com • E-mail: service@sdsecurity.com

INSTALLATION INSTRUCTIONS LR100CAK ELECTRIC LATCH RETRACTION DEVICE KIT CAL-ROYAL MODELS: 7700 & 7760

Carefully remove the end cap and device cover from end of Housing. Remove and discard all Dogging components. Insert the LR100CAK into the housing so the bracket on the front of the unit slides over the existing push rod attached to the push bar. Gently push and release the push bar to help facilitate the bracket sliding over the push rod and making proper contact against the existing pin and external E-rings.



Retrofit Installation Note: 42" or 48" exit devices that have been modified to fit a 36" or smaller opening, may not have the required space to fit the standard E. L. R. assembly. Always verify the distance from the end of the touchpad to the end rail, and if necessary, consult with the factory for appropriate selection.



Align the desired mounting hole on the LR100CAK with the tapped hole on the push bar base plate and attach with the supplied screw/star washer. Test function and replace device cover and end cap.

ELECTRICAL DATA
24VDC @ 700/200mA
RED (+) BLK (-)
PATENT #8,851,530