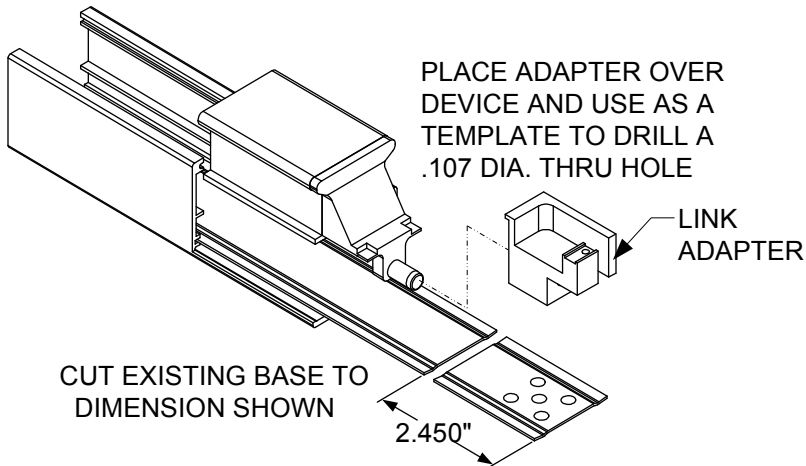


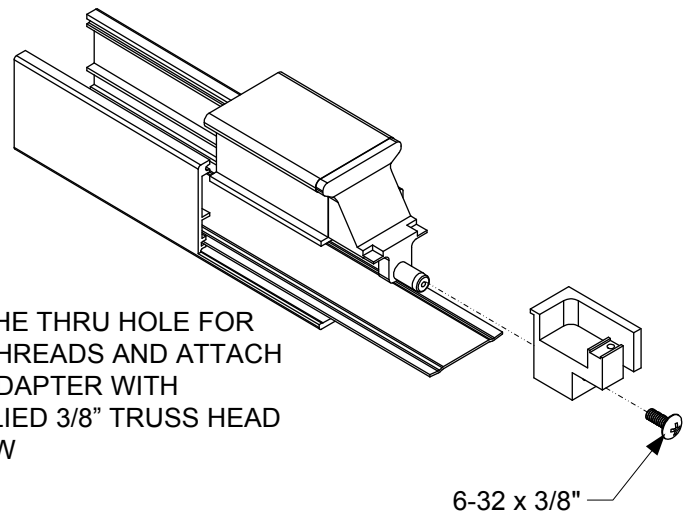
SDC Security Door Controls

801 Avenida Acaso, Camarillo, Ca. 93012 • (805) 494-0622 •
 www.sdcsecurity.com • E-mail: service@sdsecurity.com

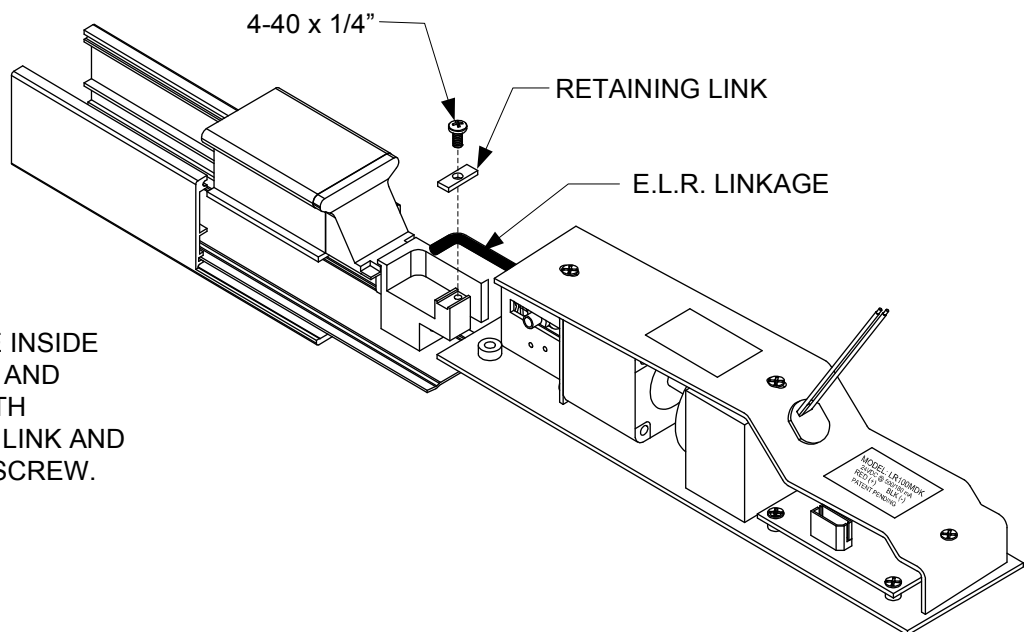
INSTALLATION INSTRUCTIONS LR100DHK ELECTRIC LATCH RETRACTION KIT DESIGN HARDWARE MODELS: 1000R & 1000V



Remove and discard dogging from exit device, before installing the LR100 assembly.



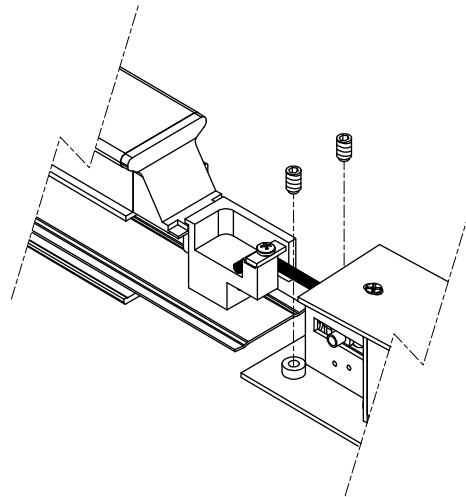
ELECTRICAL DATA
 24VDC @ 700/200mA
 RED (+) BLK (-)
 PATENT #8,851,530



PLACE E.L.R. LINKAGE INSIDE ADAPTER AS SHOWN AND SECURE IN PLACE WITH SUPPLIED RETAINING LINK AND 4-40 x 1/4" PAN HEAD SCREW.

Any suggestions or comments to this instruction or product are welcome. Please contact us through our website or email engineer@sdsecurity.com

AFTER ATTACHING LINKAGE, POWER THE UNIT. THIS WILL CAUSE THE E.L.R. TO PULL INTO THE EXIT DEVICE. DEPRESS THE PUSH PAD TO PROPERLY POSITION THE E.L.R. MANUALLY PULL THE E.L.R. ASSEMBLY BACK TIGHTEN THE SET SCREWS TO LOCK THE E.L.R. IN PLACE. TEST FUNCTION OF E.L.R. BY APPLYING POWER TO VERIFY THAT THE E.L.R. ASSEMBLY RETRACTS THE PUSH PAD AND LATCH



Retrofit Installation Note: 42" or 48" exit devices that have been modified to fit a 36" or smaller opening, may not have the required space to fit the standard E. L. R. assembly. Always verify the distance from the end of the touchpad to the end rail, and if necessary, consult with the factory for appropriate selection.

NOTE Retro-Fitting Vertical Rod Devices:

Before retro-fitting an electric latch assembly into a vertical device, the following must be done to ensure proper alignment. Disconnect the vertical rods from the device. Install the electric latch assembly as shown above. Once the ELR is properly installed energize it so that the push pad is dogged down, by doing so it will allow for proper alignment for the vertical rods. Finally reconnect the vertical rods to the device and make the proper adjustments.