



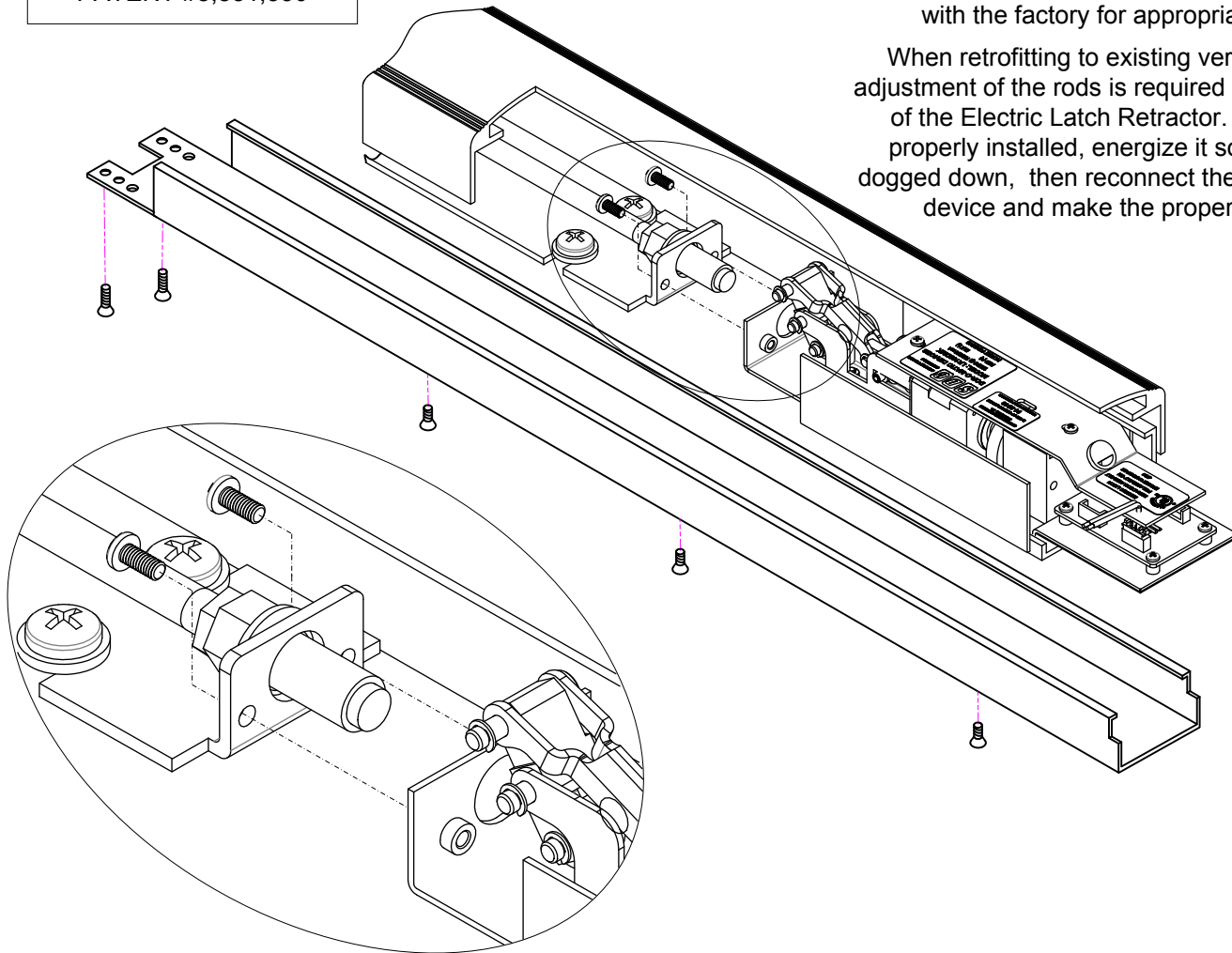
INSTALLATION INSTRUCTIONS LR100DMK DOR-O-MATIC ELECTRIC LATCH RETRACTION DEVICE KIT MODELS: 1490 & 1590

ELECTRICAL DATA

24VDC @ 700/200mA
RED (+) BLK (-)
PATENT #8,851,530

Retrofit Installation Note: 42" or 48" exit devices that have been modified to fit a 36" or smaller opening, may not have the required space to fit the standard E. L. R. assembly. Always verify the distance from the end of the touchpad to the end rail, and if necessary, consult with the factory for appropriate selection.

When retrofitting to existing vertical rod devices, adjustment of the rods is required for proper operation of the Electric Latch Retractor. Once the unit is properly installed, energize it so the push pad is dogged down, then reconnect the vertical rods to the device and make the proper adjustments.



Remove the five screws from the bottom of the device (3 along the center and two on the sides attaching the head).

Slide the bottom housing off of the Push Bar mounting base plate.

Attach the LR100DMK to the Push Bar mounting base plate where shown with the screws provided.

Slide the bottom housing back in place over the Push Bar mounting base plate and re-attach the five screws. Test the LR100DMK for proper function.

Run wires through the door and attach to power. Attach Push Bar assembly to the door.

Any suggestions or comments to this instruction or product are welcome. Please contact us through our website or email engineer@sdsecurity.com