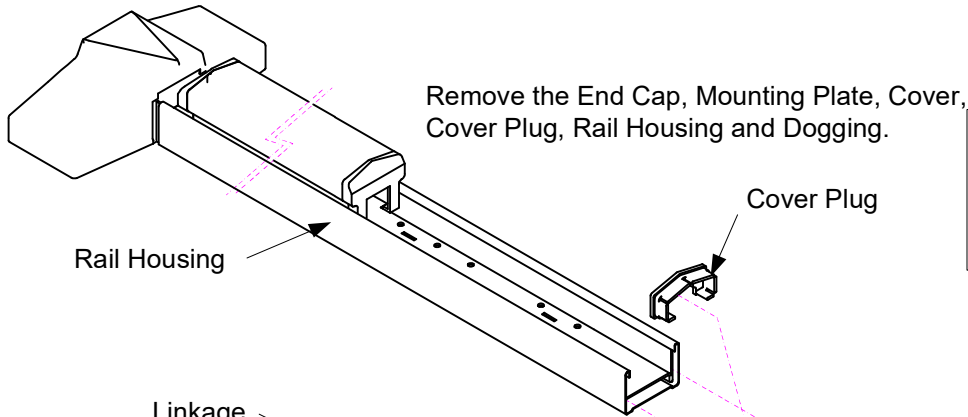


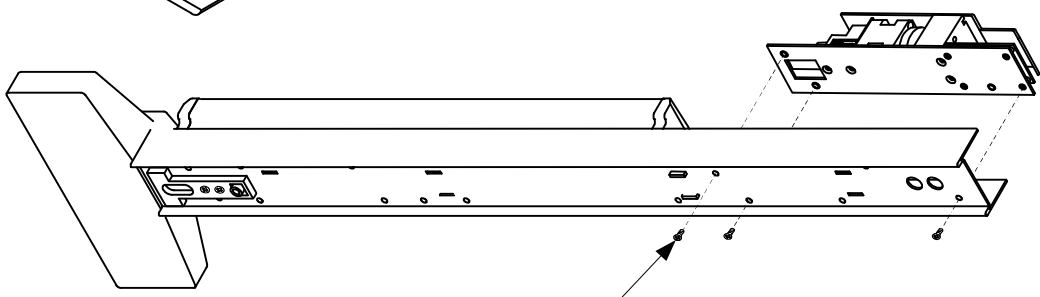
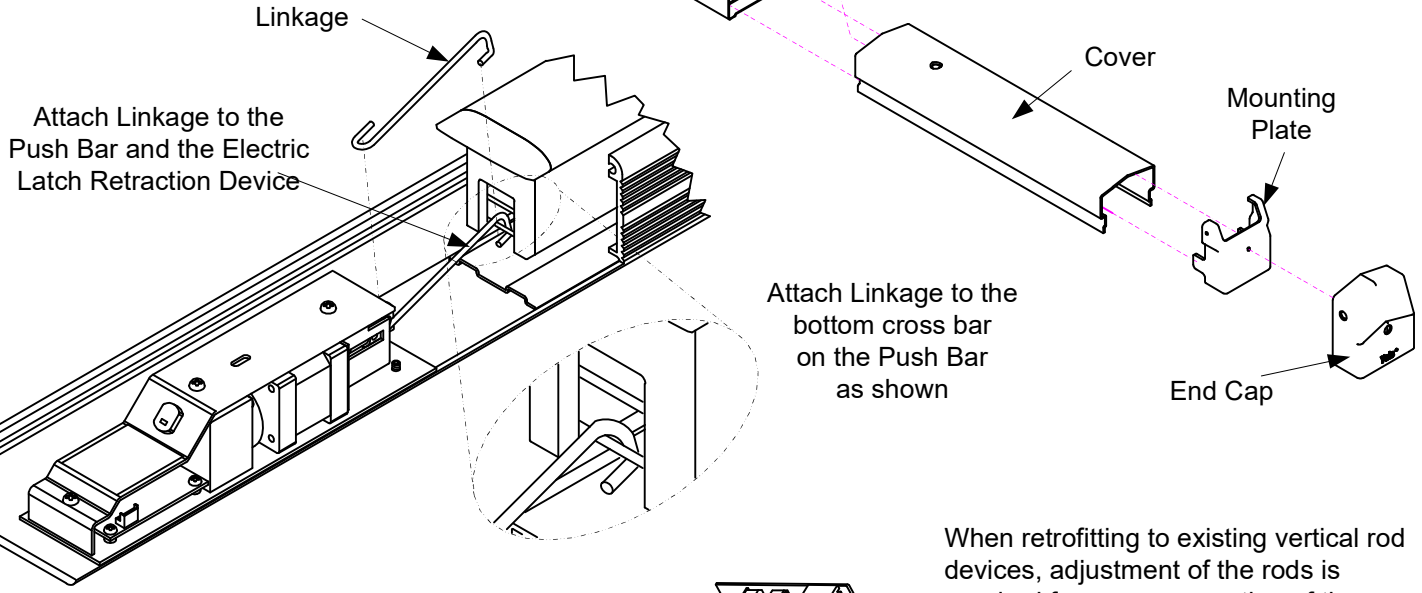


INSTALLATION INSTRUCTIONS

LR100YDK YALE ELECTRIC LATCH RETRACTION DEVICE KIT MODELS: 7100, 7100-2, 7110, 7120, 7200 & 7210



ELECTRICAL DATA
 24VDC @ 700/200mA
 RED (+) BLK (-)
 PATENT #8,851,530



Replace Housing Cover, Cover with Plug, End Cap and the End Cap Cover.

When retrofitting to existing vertical rod devices, adjustment of the rods is required for proper operation of the Electric Latch Retractor. Once the unit is properly installed, energize it so the latch is dogged down, then reconnect the vertical rods to the device and make the proper adjustments.

Retrofit Installation Note: 42" or 48" exit devices that have been modified to fit a 36" or smaller opening, may not have the required space to fit the standard E. L. R. assembly. Always verify the distance from the end of the touchpad to the end rail, and if necessary, consult with the factory for appropriate selection.