

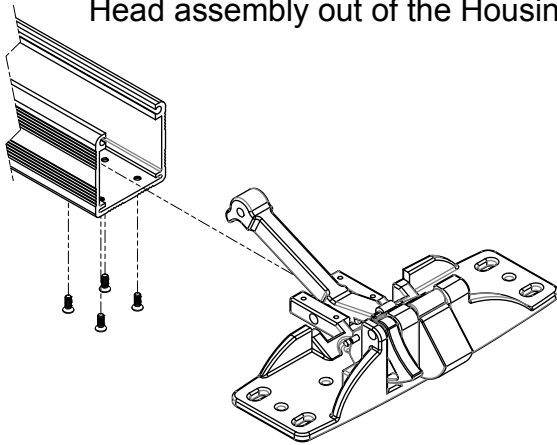
SDC Security Door Controls

801 Avenida Acaso, Camarillo, Ca. 93012 • (805) 494-0622 •
www.sdcsecurity.com • E-mail: service@sdsecurity.com

INSTALLATION INSTRUCTIONS LRCA2R REQUEST-TO-EXIT ASSEMBLY CAL-ROYAL MODELS 7700, 7760 / F7700 & F7760

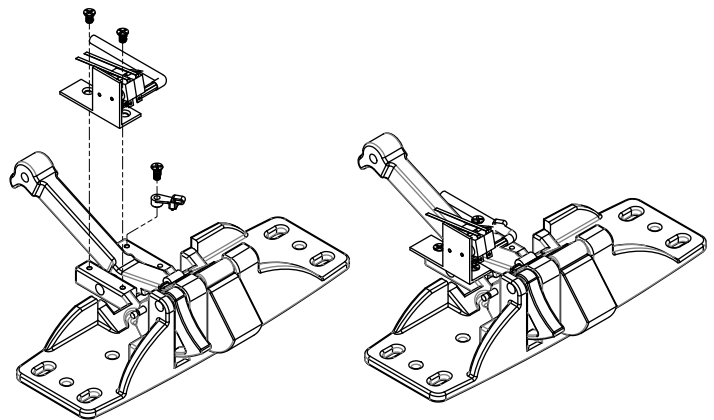
STEP 1

Carefully remove the Head Cover (not shown) and the four screws holding the Head to the Housing. Slide the Head assembly out of the Housing.



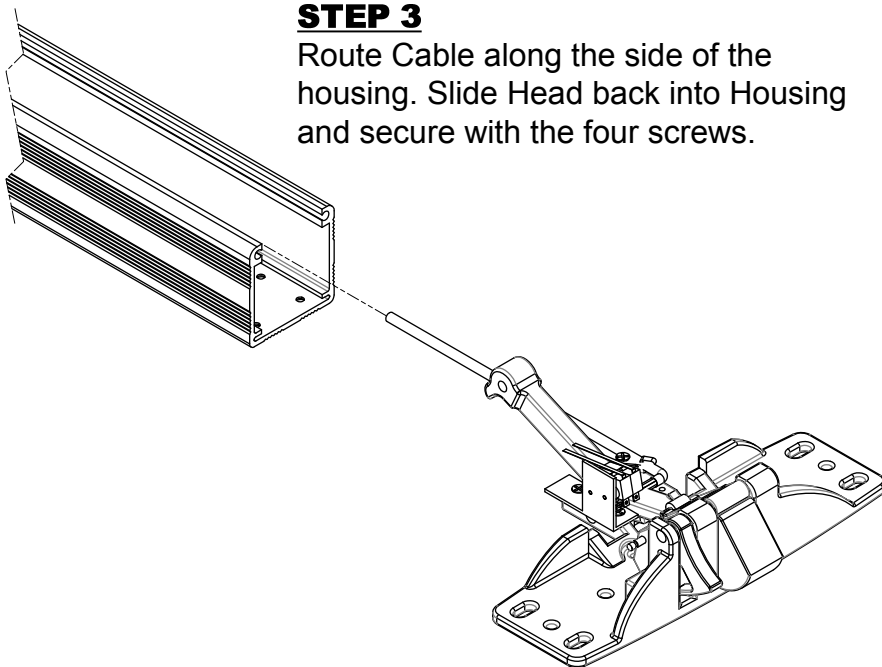
STEP 2

Attach Switch Assembly to existing holes in the Head. Attach Cable Tie where shown and insert cable.



STEP 3

Route Cable along the side of the housing. Slide Head back into Housing and secure with the four screws.



WIRING DETAIL

REX 1:

| | |
|-----|-----|
| COM | BLK |
| N/O | WHT |
| N/C | RED |

REX 2:

| | |
|-----|-----|
| COM | BRN |
| N/O | GRN |
| N/C | BLU |

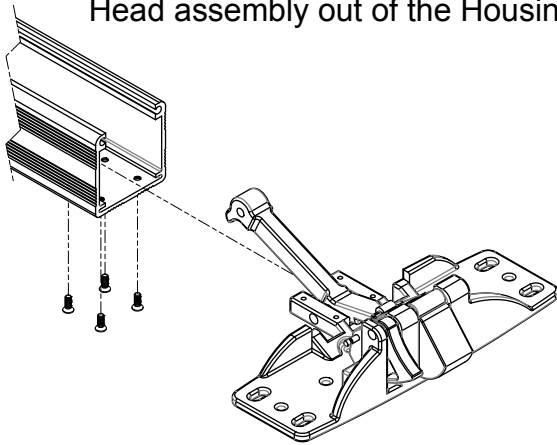
SDC Security Door Controls

801 Avenida Acaso, Camarillo, Ca. 93012 • (805) 494-0622 •
 www.sdcsecurity.com • E-mail: service@sdsecurity.com

INSTALLATION INSTRUCTIONS LRCA2R REQUEST-TO-EXIT ASSEMBLY CAL-ROYAL MODELS 7700, 7760 / F7700 & F7760

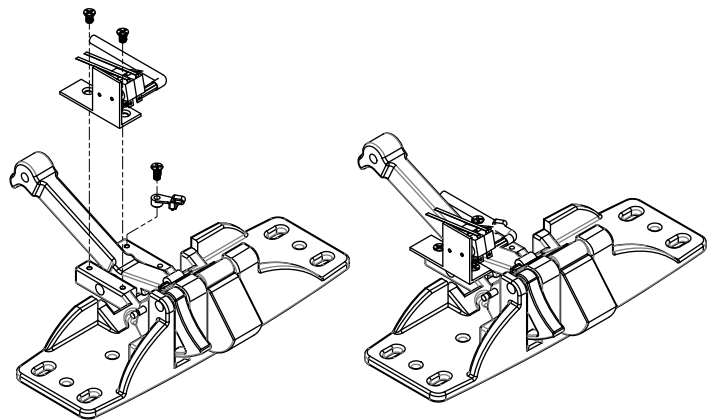
STEP 1

Carefully remove the Head Cover (not shown) and the four screws holding the Head to the Housing. Slide the Head assembly out of the Housing.



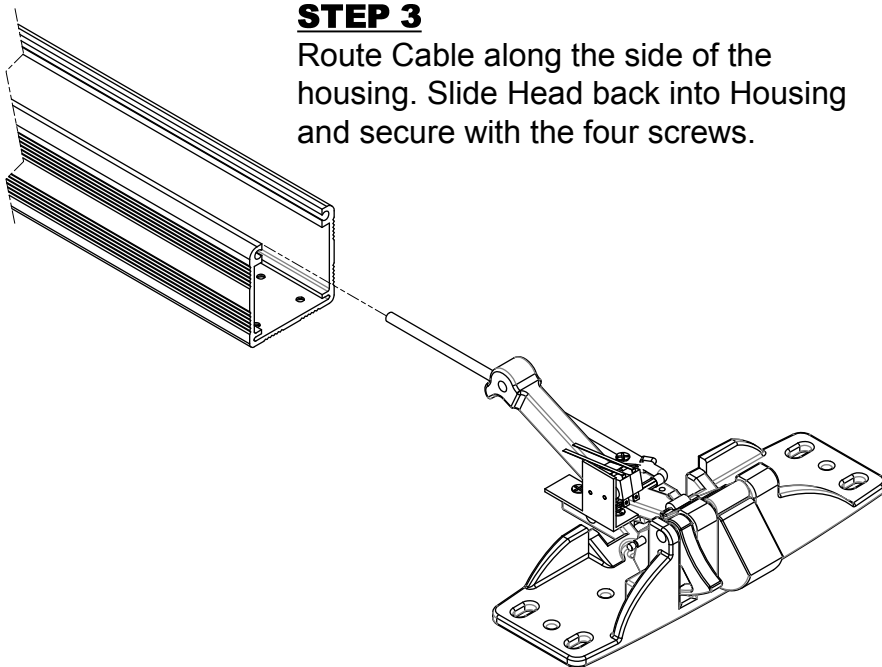
STEP 2

Attach Switch Assembly to existing holes in the Head. Attach Cable Tie where shown and insert cable.



STEP 3

Route Cable along the side of the housing. Slide Head back into Housing and secure with the four screws.



WIRING DETAIL

REX 1:

| | |
|-----|-----|
| COM | BLK |
| N/O | WHT |
| N/C | RED |

REX 2:

| | |
|-----|-----|
| COM | BRN |
| N/O | GRN |
| N/C | BLU |

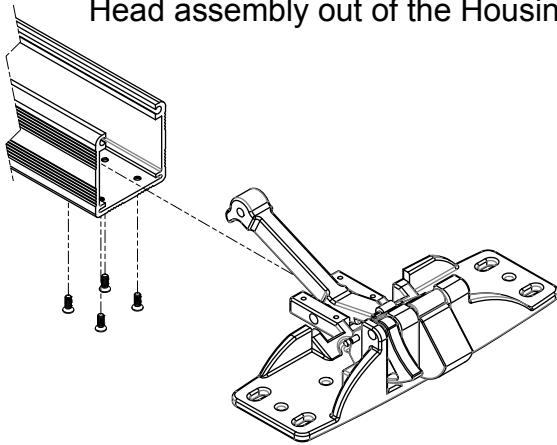
SDC Security Door Controls

801 Avenida Acaso, Camarillo, Ca. 93012 • (805) 494-0622 •
 www.sdcsecurity.com • E-mail: service@sdsecurity.com

INSTALLATION INSTRUCTIONS LRCA2R REQUEST-TO-EXIT ASSEMBLY CAL-ROYAL MODELS 7700, 7760 / F7700 & F7760

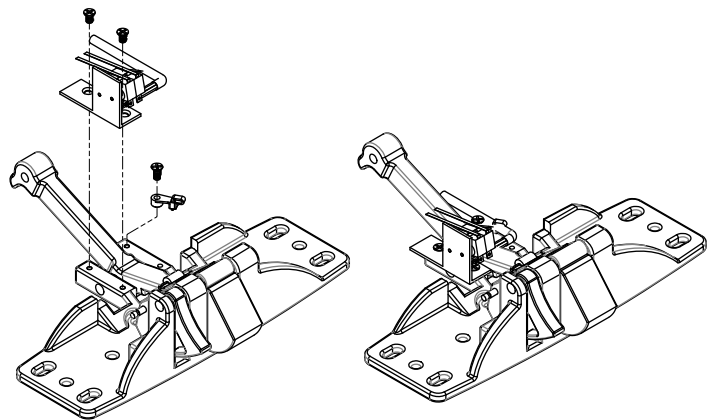
STEP 1

Carefully remove the Head Cover (not shown) and the four screws holding the Head to the Housing. Slide the Head assembly out of the Housing.



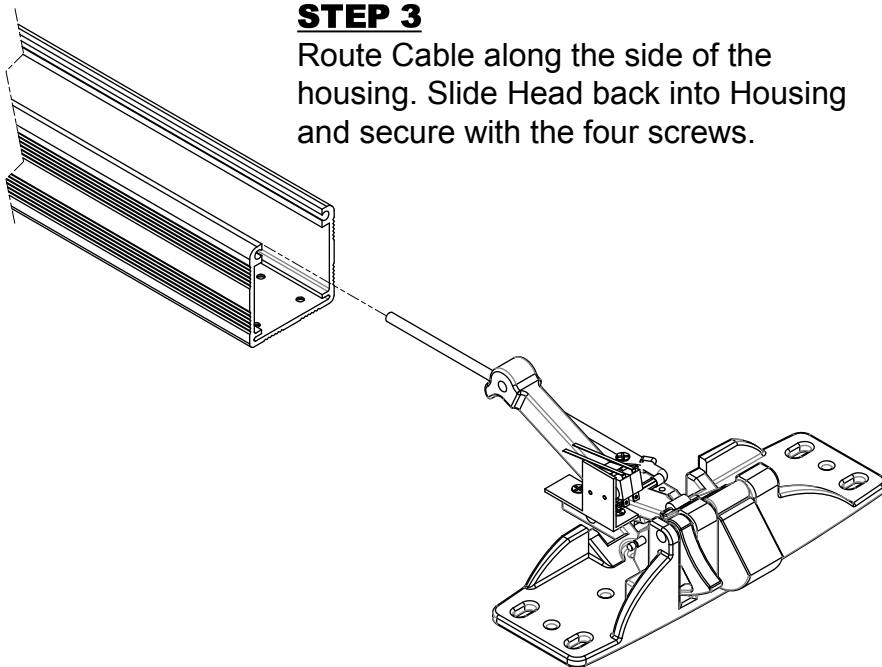
STEP 2

Attach Switch Assembly to existing holes in the Head. Attach Cable Tie where shown and insert cable.



STEP 3

Route Cable along the side of the housing. Slide Head back into Housing and secure with the four screws.



WIRING DETAIL

REX 1:

| | |
|-----|-----|
| COM | BLK |
| N/O | WHT |
| N/C | RED |

REX 2:

| | |
|-----|-----|
| COM | BRN |
| N/O | GRN |
| N/C | BLU |