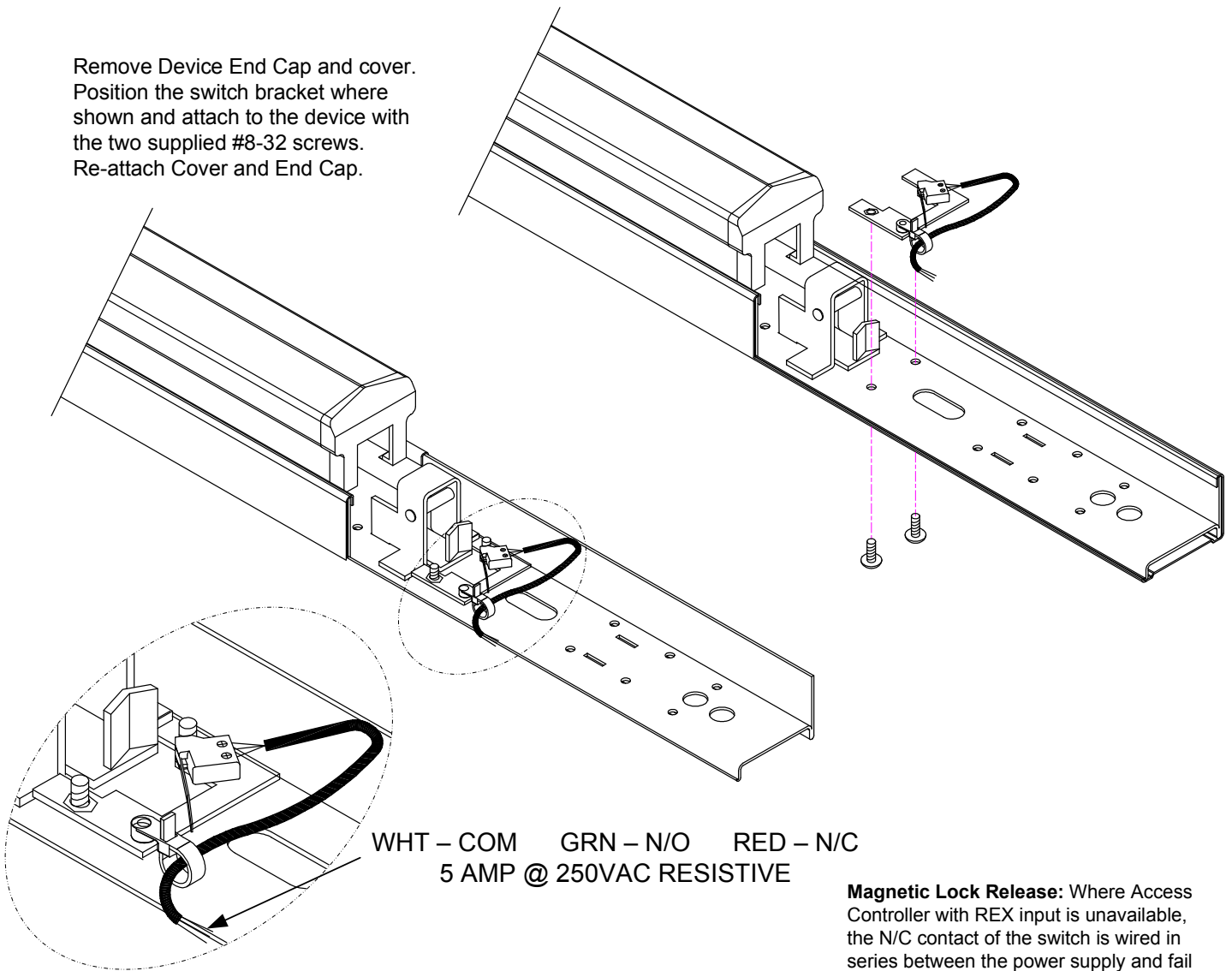


SDC Security Door Controls

801 Avenida Acaso, Camarillo, Ca. 93012 • (805) 494-0622 •
www.sdcsecurity.com • E-mail: service@sdsecurity.com

INSTALLATION INSTRUCTIONS LRRCR1R SWITCH KIT FOR CORBIN RUSSWIN MODELS E4000 & E5000

Remove Device End Cap and cover.
Position the switch bracket where
shown and attach to the device with
the two supplied #8-32 screws.
Re-attach Cover and End Cap.



WHT – COM GRN – N/O RED – N/C
5 AMP @ 250VAC RESISTIVE

Applications

Remote Latch Status Monitoring:

Retracting the latch by depressing the push pad provides an output signal for local or remote visual and audible annunciation indicating forced entry or unauthorized egress.

Access Control REX: When connected to the Request-To-Exit input of a keypad, card or biometric Access Controller, depressing the pushpad and retracting the latch actuates the Latch Status contact, shunting the control access control alarm to permit authorized egress and/or releases the magnetic door lock for uninhibited egress.

Magnetic Lock Release: Where Access Controller with REX input is unavailable, the N/C contact of the switch is wired in series between the power supply and fail safe magnetic lock. Depressing the exit device pushpad retracts the latch, causing the contact to open, thereby releasing the magnetic lock for uninhibited egress.

Mantrap Logic: Provides N/O and N/C contacts required for 2 or more communicating doors for Interlock and Mantrap applications.

Any suggestions or comments to this instruction or product are welcome. Please contact us through our website or email engineer@sdsecurity.com