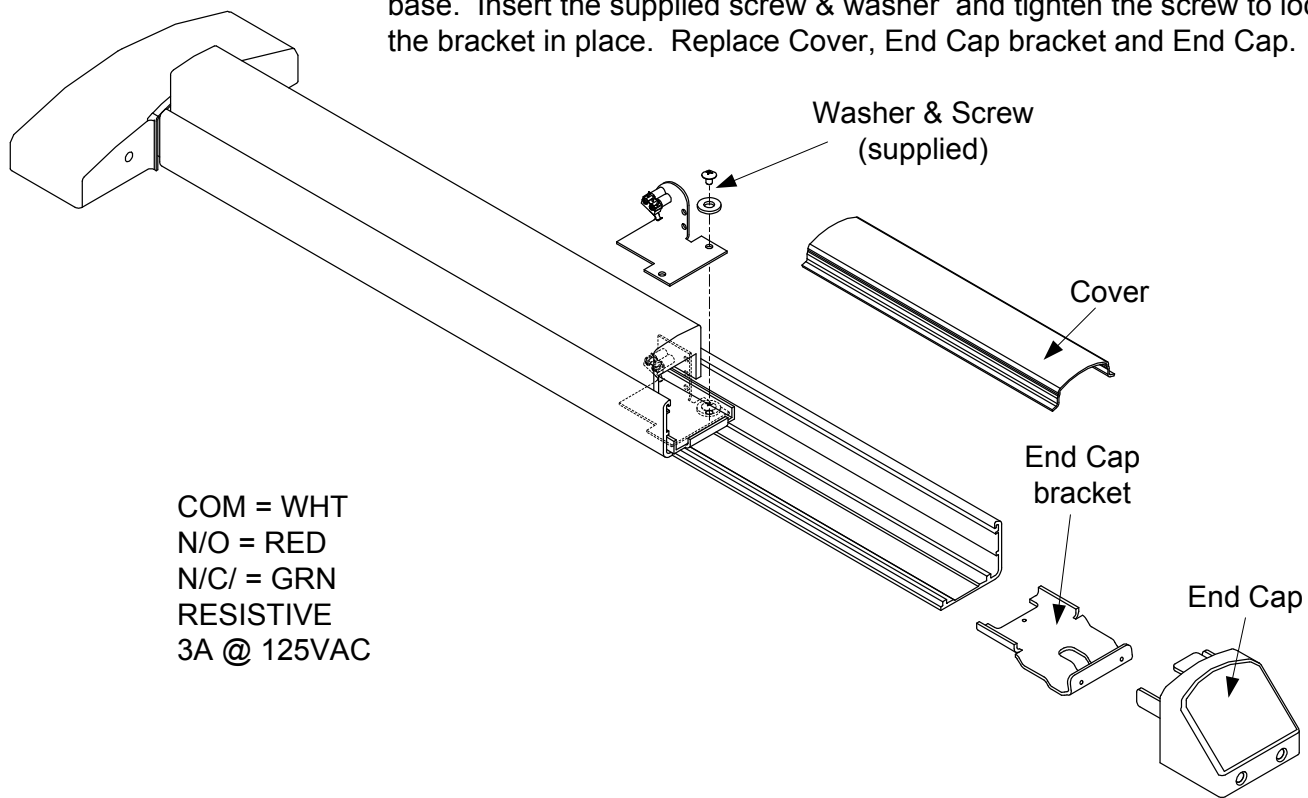


# SDC Security Door Controls

801 Avenida Acaso, Camarillo, Ca. 93012 • (805) 494-0622 •  
www.sdcsecurity.com • E-mail: service@sdsecurity.com

## LRDX1R INSTALLATION INSTRUCTIONS DETEX PUSH BAR REX SWITCH MODELS: 10, 20, 40, 50, 60 & 80 SERIES

Remove the End Cap, End Cap bracket and Cover. Slide the REX bracket assembly into the device and under the push bar mounting plate so the mounting hole aligns with existing tapped hole in the Push Bar base. Insert the supplied screw & washer and tighten the screw to lock the bracket in place. Replace Cover, End Cap bracket and End Cap.



COM = WHT  
N/O = RED  
N/C/ = GRN  
RESISTIVE  
3A @ 125VAC

### Applications

**Access Control REX:** Provides an authorized request-to-exit signal to activate an access control REX input, shunting the access control alarm output.

**Magnetic Lock REX:** Releases lock for uninhibited egress when wired in series to lock power, or used to activate a time delay trigger input to release lock for egress.

**Exit Alarm:** May be used to activate an external alarm horn located adjacent to the opening.

**Remote Annunciation:** Indicates door use when connected to a remote annunciator,

Any suggestions or comments to this instruction or product are welcome. Please contact us through our website or email [engineer@sdsecurity.com](mailto:engineer@sdsecurity.com)