

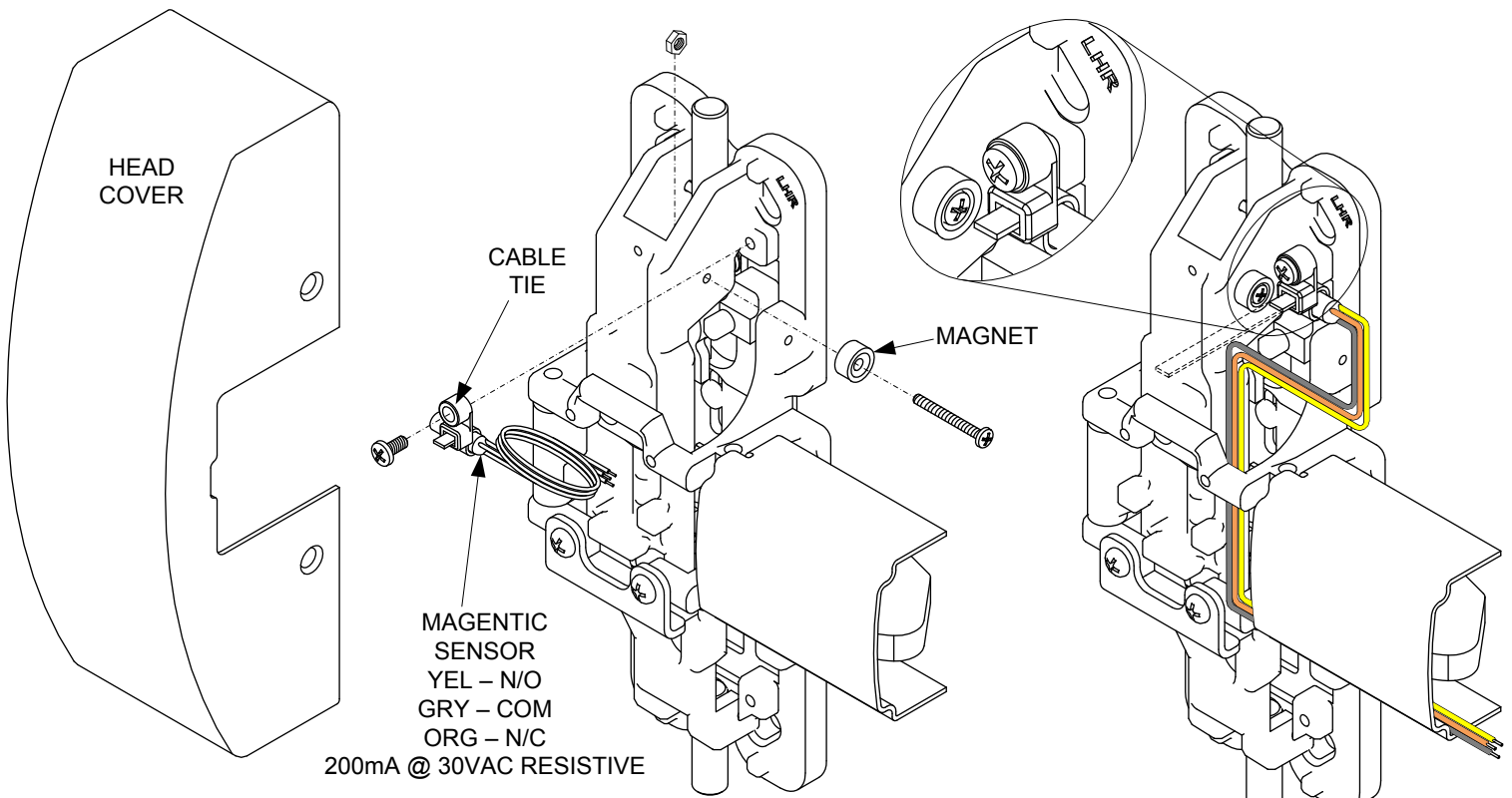
SDC SECURITY DOOR CONTROLS

801 Avenida Acaso, Camarillo, Ca. 93012 • (805) 494-0622 • Fax: (805) 494-8861
 www.sdcsecurity.com • E-mail: service@sdsecurity.com

LRP2L INSTALLATION INSTRUCTIONS LATCH SWITCH KIT-VERTICAL ROD PHI/STANLEY 2000 SERIES MODELS 2100, 2200 & 2800

Remove head cover. Attach cable tie to device at existing tapped hole where shown, with supplied screw. Attach magnet at existing thru hole where shown with supplied screw and nut. Route wires as shown. Re-attach head cover.

***NOTE:** Regardless of handing, the Latch Switch Kit is always attached to the "LHR" side of the device.



Applications

Remote Latch Status Monitoring:

Retracting the latch by depressing the push pad provides an output signal for local or remote visual and audible annunciation indicating forced entry or unauthorized egress.

Access Control REX: When connected to the Request-To-Exit input of a keypad, card or biometric Access Controller, depressing the pushpad and retracting the latch actuates the Latch Status contact, shunting the control access control alarm to permit authorized egress and/or releases the magnetic door lock for uninhibited egress.

Magnetic Lock Release: Where Access Controller with REX input is unavailable, the N/C contact of the switch is wired in series between the power supply and fail safe magnetic lock. Depressing the exit device pushpad retracts the latch, causing the contact to open, thereby releasing the magnetic lock for uninhibited egress.

Mantrap Logic: Provides N/O and N/C contacts required for 2 or more communicating doors for Interlock and Mantrap applications.