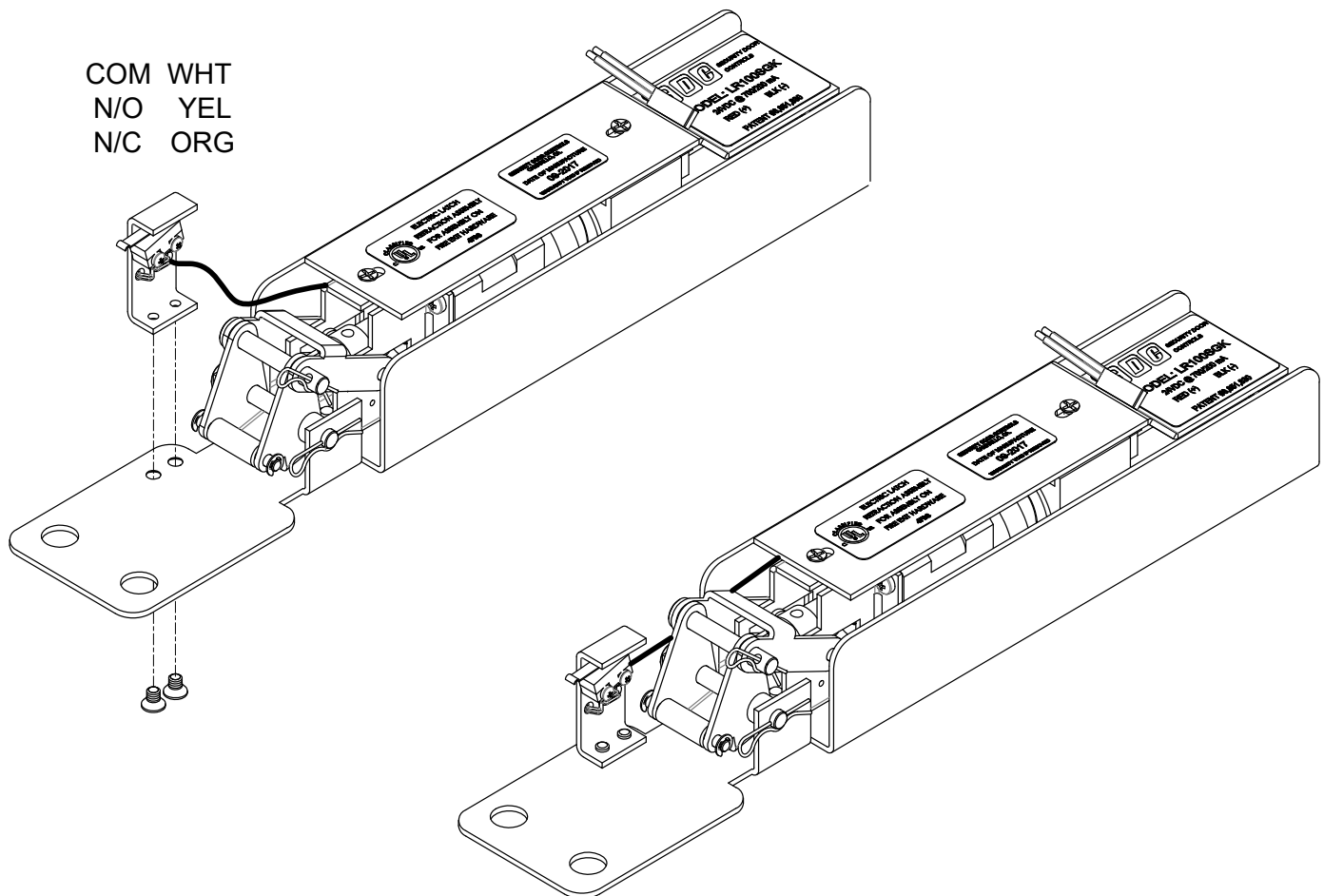


# **SDC** Security Door Controls

801 Avenida Acaso, Camarillo, Ca. 93012 • (805) 494-0622 •  
www.sdcsecurity.com • E-mail: service@sdsecurity.com

## INSTALLATION INSTRUCTIONS LRSG2R REQUEST-TO-EXIT ELR SWITCH KIT SARGENT MODELS: LR100SGK, LR100SGK-EM, LR100AWK, LR100CAK & LR100CAK-EM

Attach the switch mounting bracket where shown. Run switch wires along the side of the housing.



Any suggestions or comments to this instruction or product are welcome. Please contact us through our website or email engineer@sdsecurity.com

