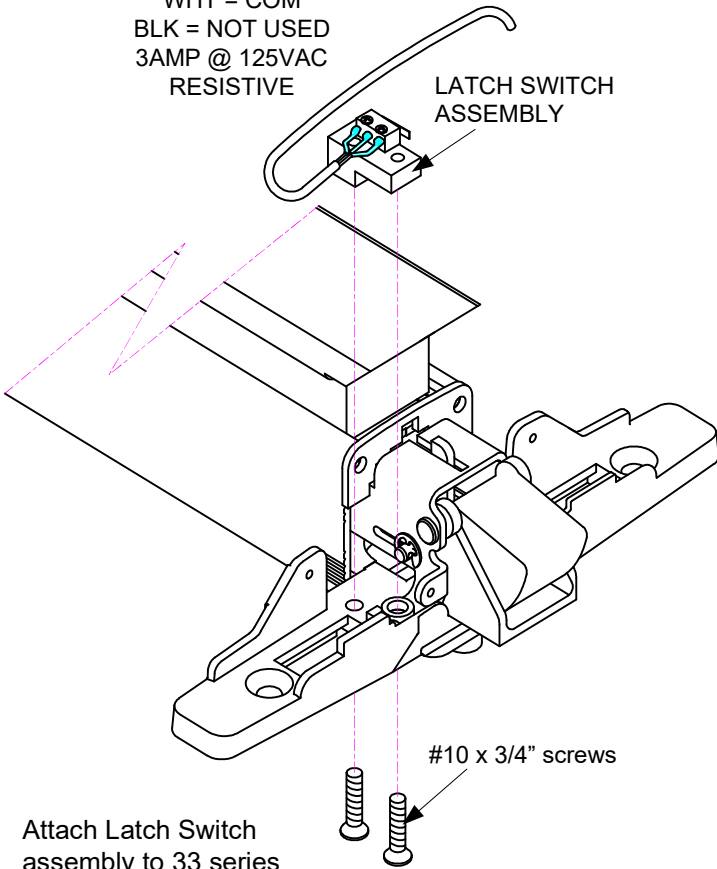




INSTALLATION INSTRUCTIONS

LRVD2L LATCH STATUS SWITCH KIT VON DUPRIN 33/35 RIM ONLY

RED = N/C
GRN = N/O
WHT = COM
BLK = NOT USED
3AMP @ 125VAC
RESISTIVE

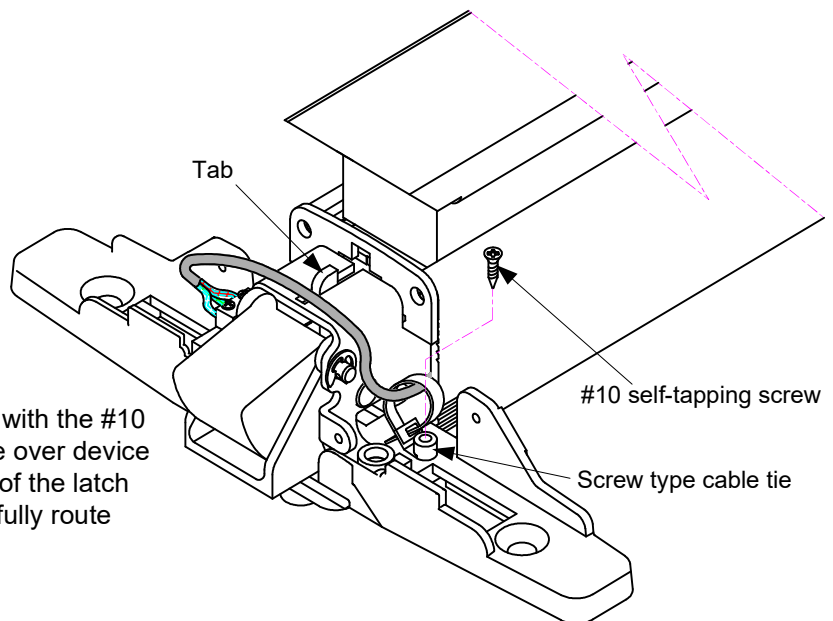


LATCH SWITCH ASSEMBLY

#10 x 3/4" screws

Attach Latch Switch assembly to 33 series device head with the two #10 x 3/4" screws provided.

Attach cable tie to the opposite side of the device with the #10 self-tapping screw provided. Carefully route cable over device head making sure NOT to impede the movement of the latch assembly. Secure cable in the cable tie and carefully route the cable down the inside wall of the extrusion.



Tab

#10 self-tapping screw

Screw type cable tie

Applications

Access Control REX: Provides an authorized request-to-exit signal to activate an access control REX input, shunting the access control alarm output.

Magnetic Lock REX: Releases lock for uninhibited egress when wired in series to lock power, or used to activate a time delay trigger input to release lock for egress.

Exit Alarm: May be used to activate an external alarm horn located adjacent to the opening.

Remote Annunciation: Indicates door use when connected to a remote annunciator,