

INSTALLATION INSTRUCTIONS

8700, 12-8700, HC8700 & HC4-8700

SURFACE VERTICAL ROD EXIT DEVICE

U.S. Patent No. 268,003 Canadian Patent No. RD 1981

SARGENT®

ASSA ABLOY

ASSA ABLOY, the global leader
in door opening solutions

FOR ASSISTANCE, CONTACT SARGENT AT 800-727-5477 or www.sargentlock.com

CYLINDER DOGGING (16- PREFIX)

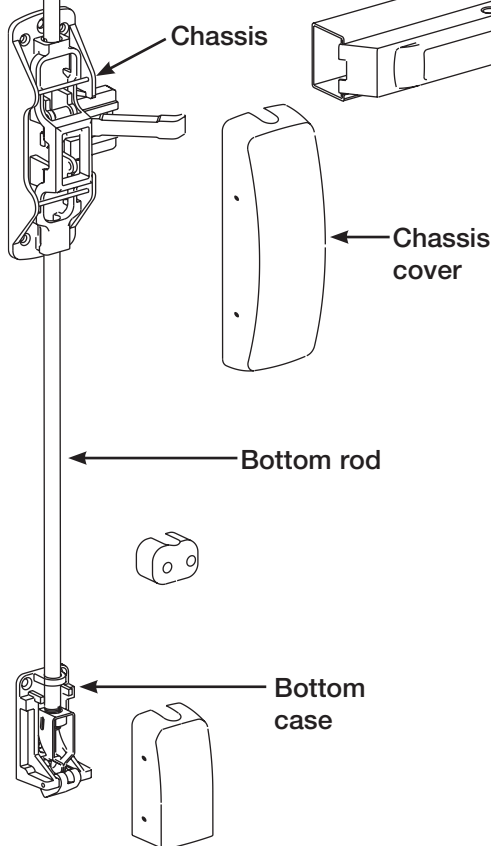
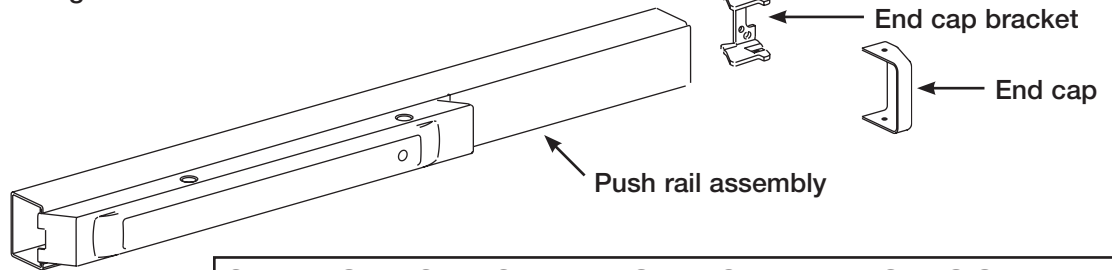
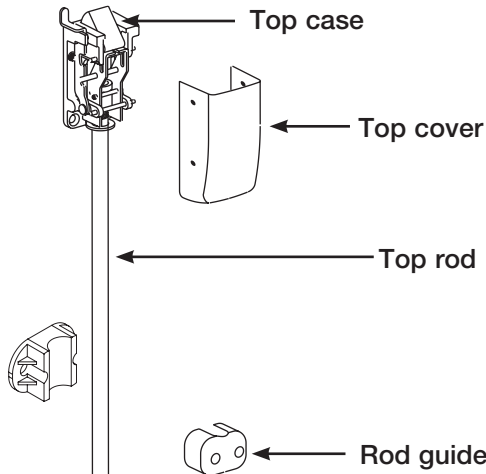
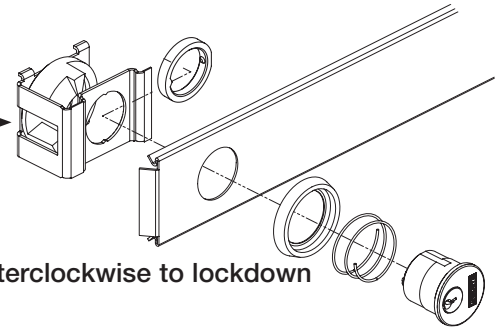
For complete assembly information see Instruction Sheet A6848

Slide mounting rail insert with cylinder dogging (16- prefix) into mounting rail

Must be installed with opening in plastic cam

TO OPERATE:

- Depress push rail
- Insert key and turn counterclockwise to lockdown (dog) push rail



Standard 8700 Exit Shown

CAUTION: CHECK BEFORE STARTING DOOR PREP

Door should be fitted and hung.
Check box label for size of exit device, function, hand and design.

Surface of the door must be flush. Clear away any raised projections to allow exit device to rest on flat surface of the door.

THIS EXIT DEVICE IS HANDED



Right hand
reverse bevel

Left hand
reverse bevel

AVAILABLE STOCK LENGTHS

- Length "E": 32" door, no cut off required.
Can be cut to fit doors down to 24" wide.
- Length "F": 36" door, no cut off required.
Can be cut to fit doors down to 33" wide.
- Length "J": 42" door, no cut off required.
Can be cut to fit doors down to 37" wide.
- Length "G": 48" door, no cut off required.
Can be cut to fit doors down to 43" wide.

TOOLS REQUIRED

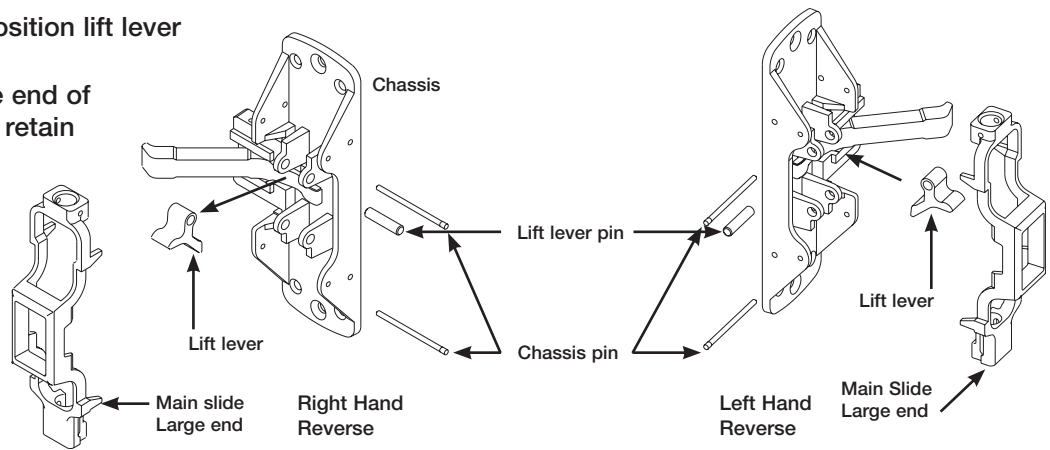
1. Measuring tape
2. Power drill
3. Drill bits: #7, #16, #25, 3/32", 1/4", 11/32", 3/8", 25/64", and 3/4"
4. Taps: #10-24, #12-24, 1/4"-20 and 7/16"-20
5. Hacksaw or any power cutter (to cut rail if necessary)
6. Screwdrivers: Phillips #2 and #3
7. Hex Wrenches: 3/16" and 3/8"
8. Level

All 8700 series exit devices are handed except the 8710, which is field reversible. The 8710 is shipped as LHR unless ordered as RHR.

SARGENT
ASSA ABLOY

TO CHANGE HAND OF 8710 EXIT DEVICE:

1. Remove both chassis pins and main slide.
2. Remove lift lever pin and lift lever.
3. Rotate chassis 180° and reposition lift lever and lift lever pin as shown.
4. Position main slide with large end of main slide at the bottom and retain with chassis pins.

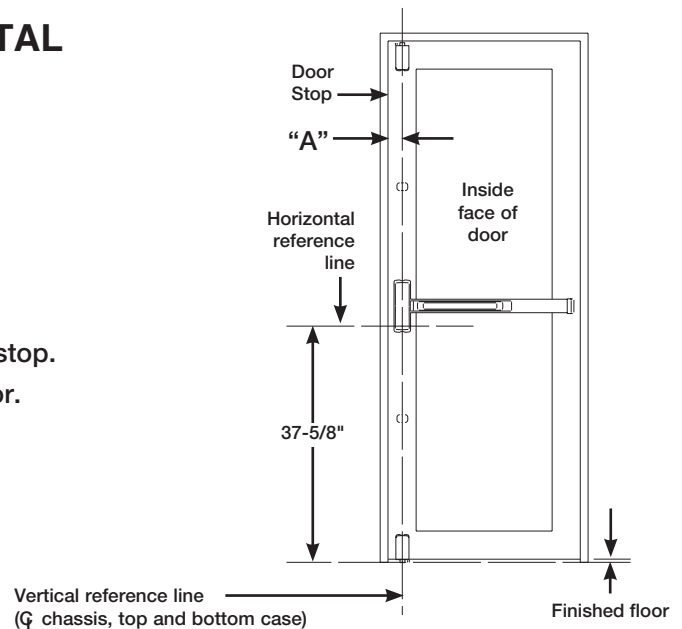


FIRST

MARK VERTICAL AND HORIZONTAL REFERENCE LINES ON DOOR

WITH DOOR CLOSED:

1. Determine dimension "A" to locate vertical reference line.
If door stile is 4-1/2" wide or wider, "A" is 2-3/4".
If door stile is less than 4-1/2", "A" is 1/2 the exposed width of the door stile when the door is closed against the stop.
2. Standard rail centerline height is 41" above the finished floor.
Horizontal reference line is 37-5/8" standard.
(Location of lower chassis mounting holes)



SECOND

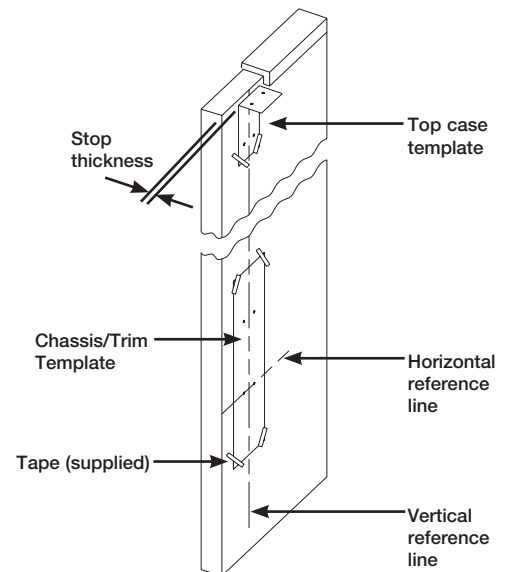
PREPARE DOOR

WITH DOOR CLOSED:

1. Tape template for Chassis/Trim on inside of door, along vertical and horizontal reference lines.
2. Fold top case template and tape on inside of door along vertical reference lines.
3. Spot and drill all holes from inside of door.
4. Mortise pockets for outside trim, if required. See trim installation instructions supplied with trim for details.

NOTE: Any holes drilled from the outside need pilot holes drilled from the inside to ensure good alignment.

NOTE: For electrical trim applications, ensure access to a raceway from the trim to the electric hinge or armored door loop.



THIRD

APPLY CENTER CHASSIS AND TRIM

SARGENT®

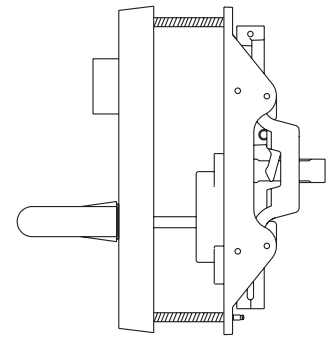
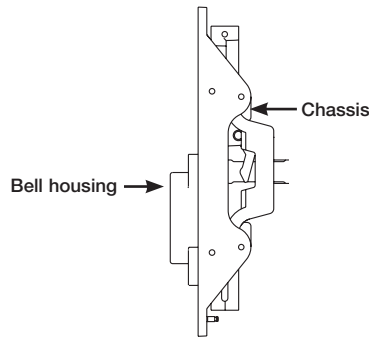
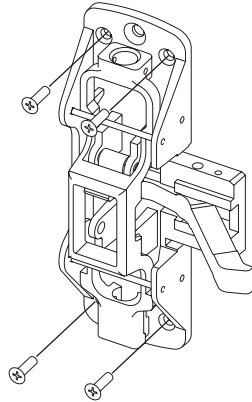
ASSA ABLOY

700 SERIES ET TRIM:

1. Secure chassis to door with (4) #10 flat head screws using corner mounting holes.

NOTE: Electrical functions – see instruction sheet A6374 for wire connections.

2. Position ET trim on door, align spindle with bell housing.
3. Through-bolt chassis to ET trim with (2) 1/4-20 flat head screws.



8706 OR 8713 BY ETJ CONTROL SHOWN

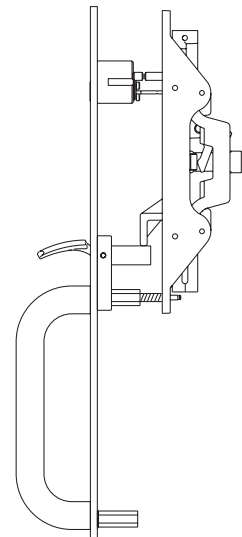
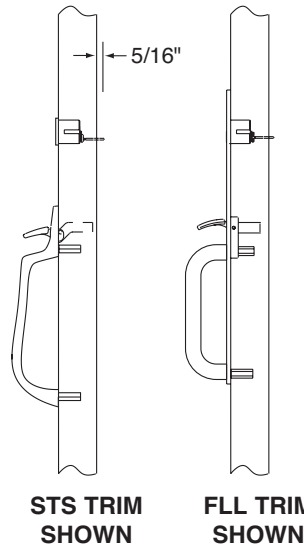
NOTE: Thumb Trim is not available for HC8700 Series Exit Devices

800 SERIES THUMB PIECE TRIM:

Determining rim cylinder tail length

FOR FLL, FLW, MAL, STS OR PTB TRIM:

1. Position trim on door (except STS).
2. Insert rim cylinder through trim plate (or cylinder collar for STS trim).
3. Mark cylinder tail at 5/16" beyond inside door surface.
4. Remove cylinder and trim from door and cut tail piece as marked.



8762 OR 8763 BY FLW SHOWN

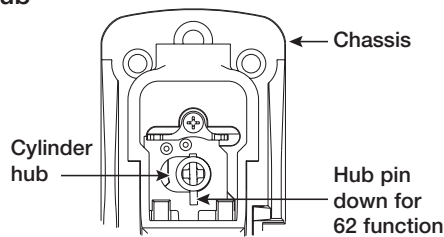
APPLY CHASSIS AND TRIM:

1. Hold trim plate to door.
2. Insert cylinder and secure using supplied back plate.
3. Position cylinder hub with in the chassis to correct position for desired function (see drawings).
4. Position chassis on door, align cylinder tail with hub and secure chassis to door with (4) #10 flat head screws using the corner mounting holes.
5. Through-bolt chassis to trim with 1/4-20 flat head screws and to door with cup washer and 1/4-20 flat head screw.

NOTE:

STS, FLL, FLW and MAL thru-bolt to chassis with (1) 1/4-20 flat head screw.

PTB trim through-bolts to chassis with (2) 1/4-20 flat head screws.



For 8762 long end of pin faces down. Cylinder turns 180° in both directions.

For 8763 long end of pin faces up. Cylinder turns 360° to the left or right.

FOURTH

APPLY RAIL ASSEMBLY

SARGENT

ASSA ABLOY

Check box label.

The following prefixes are provided "factory cut" to size: AL-, 56-, 57-, 58- and 59-.

If cutting is required, continue with step "A".

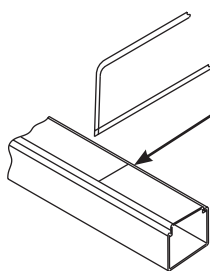
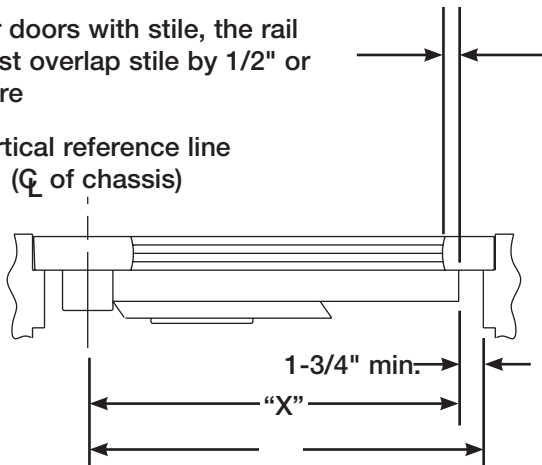
If cutting is not required, proceed to step "B".

- A** Determine rail length dimension "X" by subtracting 1-3/4" from dimension "Y".

TOP VIEW OF EXIT DEVICE

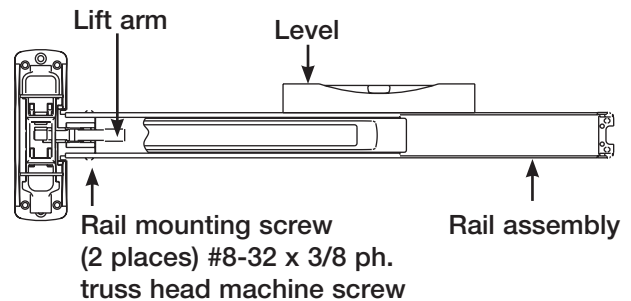
For doors with stile, the rail must overlap stile by 1/2" or more

Vertical reference line
(Q of chassis)

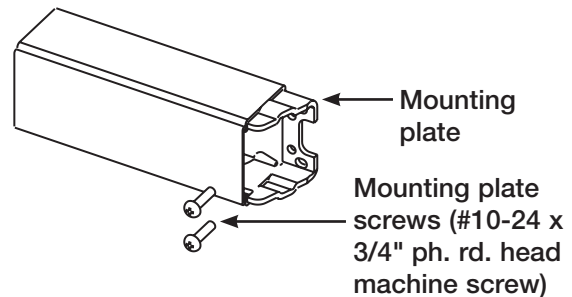


- Cut off mark
1. Dog push rail and cut off at mark.
 2. Cut must be straight.
 3. For (43-) flush end cap use cutting guide provided.
 4. Remove sharp edges with file.

- B**
1. Slide rail assembly over lift arm and onto chassis.
 2. Attach rail assembly to chassis with two (2) #8-32 truss head machine screws.
- NOTE: DO NOT tighten screws.**



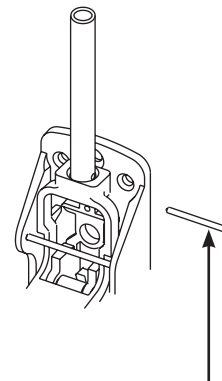
3. Level rail and position mounting plate tight against rail and attach to door with two (2) #10 round head screws.
4. Tighten all screws securely.



FIFTH

MOUNT TOP CASE

1. Verify rail is not dogged.
2. Screw rod into top case until finger tight.
3. Slide top rod into main slide – do not pin in place.
4. Attach top case as located in second step.
Through-bolts required and supplied for fire rated top cases on wood doors.
5. Unscrew top rod until the center hole is aligned with the hole in the main slide.
6. Insert rod adjustment pin.



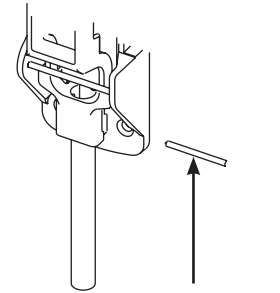
Rod adjustment pin

SIXTH

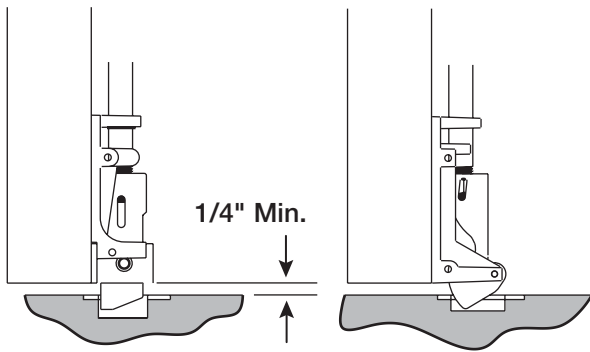
MOUNT BOTTOM CASE

SARGENT
ASSA ABLOY

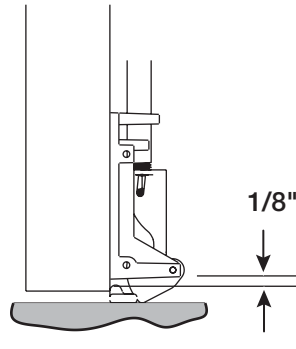
1. Verify rail is not dogged.
2. Screw rod into bottom case until finger tight.
3. Slide bottom rod into main slide.
4. Insert adjustment pin into middle hole.
5. Position bottom case on door, centered on vertical reference line.
Raise or lower to achieve gap indicated for strike application (see drawings below).
6. Drill and tap mounting holes.
7. Mount bottom case. Tighten fasteners securely.



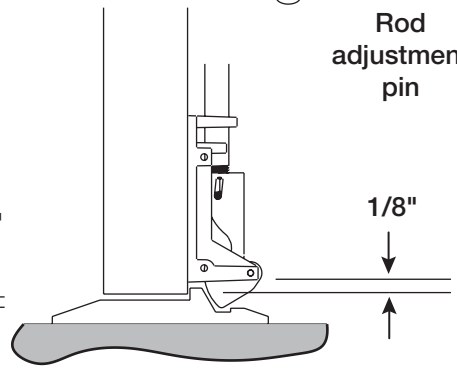
Rod adjustment pin



MORTISE APPLIED STRIKES



SURFACE APPLIED STRIKES



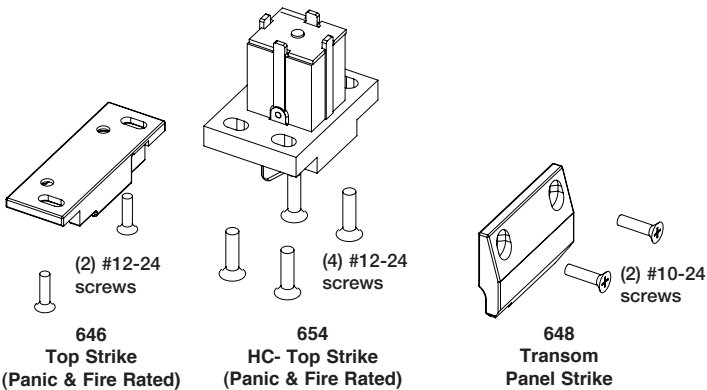
LATCH TRACK THRESHOLDS (BY OTHERS)

SEVENTH

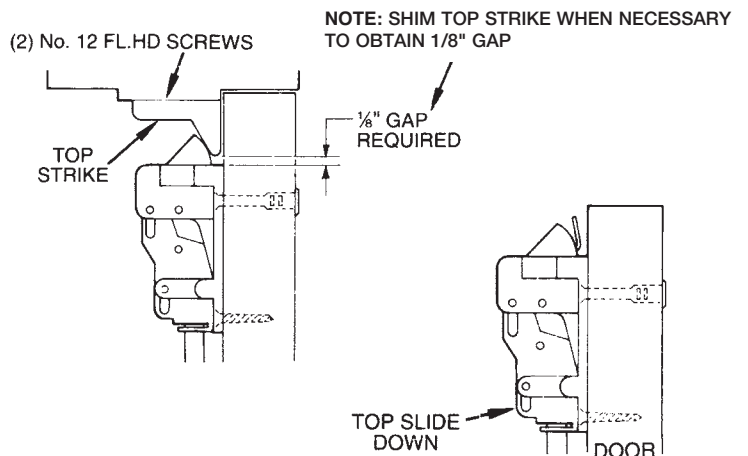
ATTACH STRIKES

TOP STRIKES

Mount top strike in position.
Tighten screws securely.



ATTACH TOP CASE



Note: Use two (2) No. 10 steel screws and mortise nuts (when provided) in the position illustrated in the top case. Steel mortise nuts are twin knurled for identification.

SEVENTH

ATTACH STRIKES (Continued)

BOTTOM STRIKES

For thresholds with integral strikes, skip to next step.

For surface applied strikes 624 or 653:

WITH DOOR CLOSED:

1. Transfer vertical centerline to floor or threshold and mark.
2. Engage bottom strike with latchbolt and center on line marked.
3. Mark mounting holes.
4. Drill holes for required fasteners.
5. Mount strike with fasteners provided.
6. Tighten screws securely.

For mortised strikes: 636 or 655

Follow steps above. Mark mounting holes and outline of strike.

SARGENT®

ASSA ABLOY

ATTACH BOTTOM STRIKES & CASE

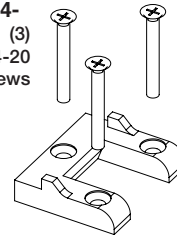
624 Bottom Strike (Panic)

(2) #12-24 screws



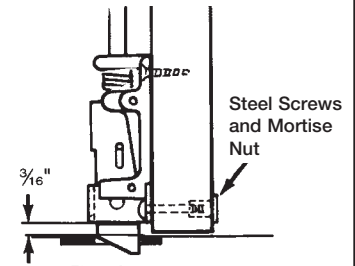
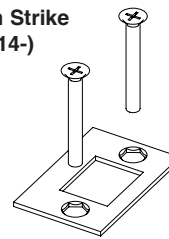
653 Bottom Strike Alternate Strike for HC-, 12-, 14-

(3) #1/4-20 screws

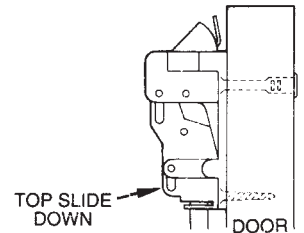


655 Bottom Strike (HC, 12- & 14-)

(2) 1/4-20 screws



FLAT STRIKE NO.655



Note: Use two (2) No. 10 steel screws and mortise nuts (when provided) in the position illustrated in the bottom chase. Steel mortise nuts are twin knurled for identification.

EIGHTH

ADJUST TOP & BOTTOM RODS

1. Fine adjustment is made by turning rod into top and bottom case to shorten or out of top and bottom case to lengthen.
2. Rough adjustment is made by changing hole used for adjustment pin.
3. Top Rod Adjustments: Push on door as you push on the rail assembly. As soon as the door opens, release rail, the top bolt should be in the hold back position. If not, extend top bolt. Note: the top bolt must go into hold back position prior to the door opening.
4. Bottom Bolt Adjustments: Extend bottom bolt for maximum engagement with the bottom strike. When the top bolt is in, hold back, it also holds the bottom bolt in the retracted position. Always verify that when the bottom bolt is in the retracted position, that the bolt clears the finish floor by at least 1/8" through the swing of the door.

Be sure that both top and bottom latch bolts are adjusted for maximum engagement

NINTH

ELECTRICAL FUNCTION PREFIXES

To access wire channel in door, drill three (3), 1/4" holes in "U" shaped cutout of mounting bracket.

59- Prefix

Connect switch cable to cable coming from the front of the rail.

Refer to instruction book A7690 for additional wire connections and operating instructions.

AL- Prefix

There are no external wire connections unless used with 546 wiring harness.

Refer to instruction book A7224 for operating instructions.

55- Prefix

Refer to instruction sheet A6808 for wire connections.

56- Prefix

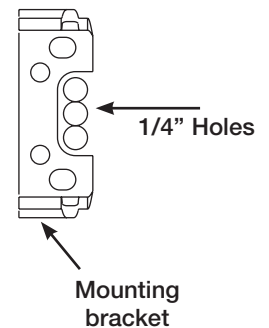
Refer to instruction sheet A6876 for wire connections.

57- Prefix

Refer to instruction sheet A6810 for wire connections and operating instructions.

58- Prefix

Refer to instruction sheet A6835 for wire connections.



1. Confirm operation of exit device. Adjust rods as needed.
2. Install top, bottom and center chassis covers as shown.
3. Install end cap as shown.
4. Install top and bottom rod guides at center of rod. Rod must float freely in guide without rubbing.
5. For doors over 96": Install two (2) top rod guides equally spaced between the top case and chassis cover. Rod must float freely in guides.

