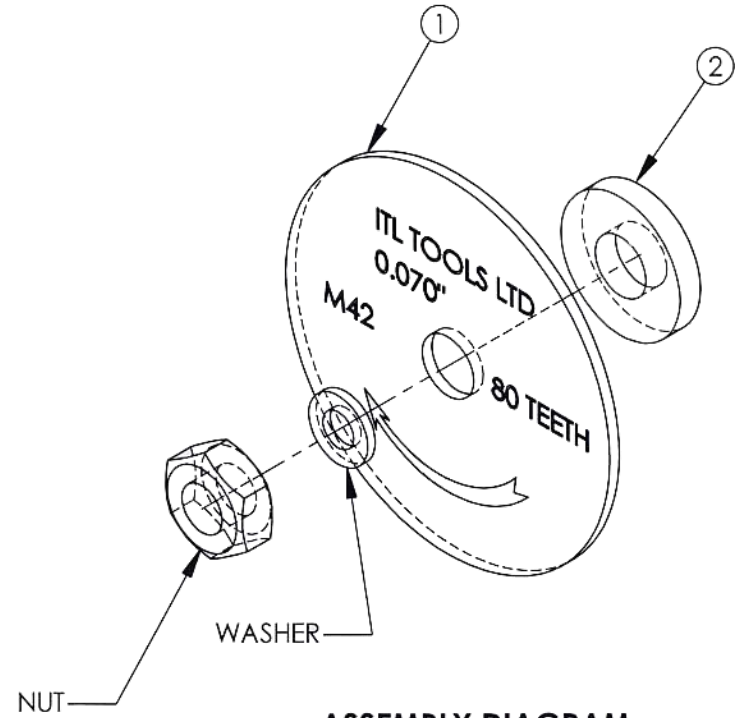
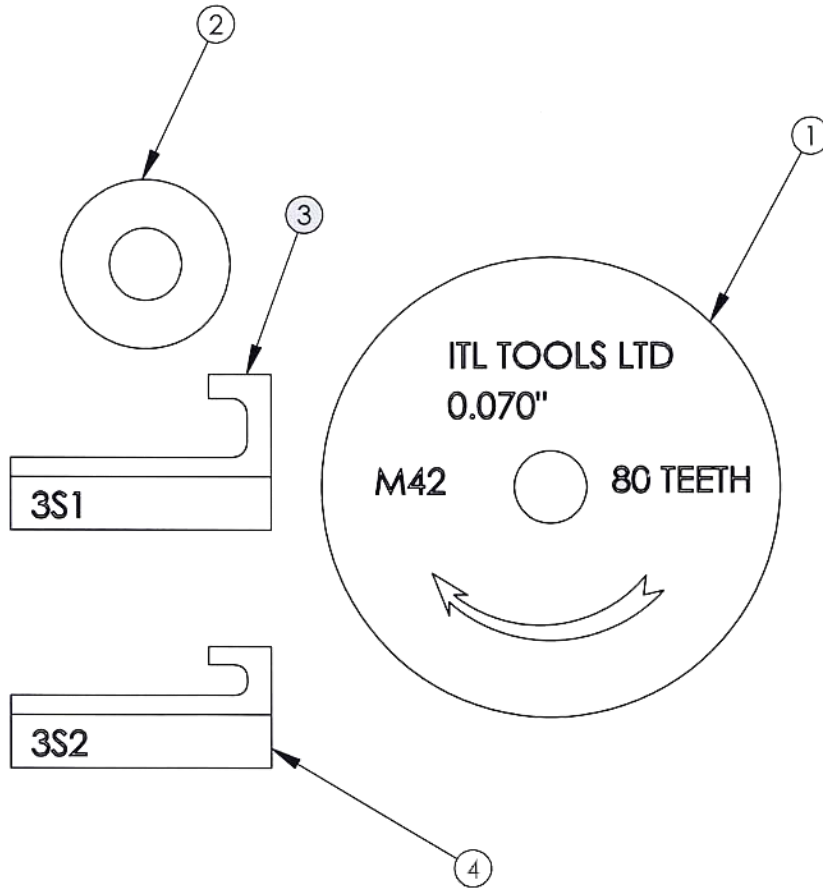


Safety Deposit Box Kit

Order parts individually quoting parts numbers as indicated
or as a set quoting number:MD20008



ASSEMBLY DIAGRAM