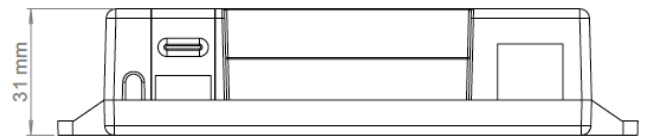
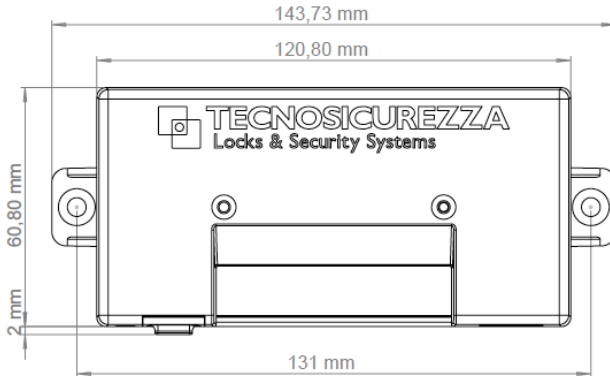
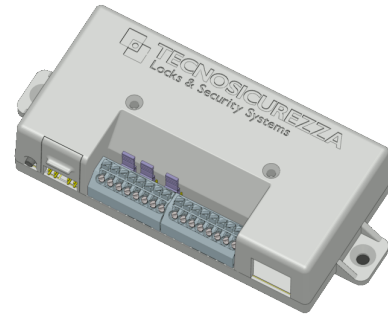


## T9355: Input/output interface

### T9355 includes:

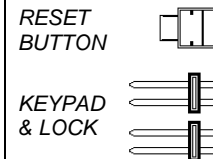
- Plastic box
- Alarm signals terminals
- Reset button
- Keypad/lock connectors
- Jumpers NC/NO



For indoor use only.

### RS485 PROTOCOL

1. GND
2. RS485 +
3. RS485 -
4. RS485 BUSY



### OUTPUTS \*

Dry contacts  
Normally open/closed  
Max 30Vdc , 1A  
Max 60Vdc , 300mA  
Max 125Vac , 500mA  
Max 50Vdc , 200mA

5. OUTPUT 1 (Silent alarm)
6. OUTPUT 1 (Silent alarm)
7. OUTPUT 2 (Penalty)
8. OUTPUT 2 (Penalty)

### INPUT \*

Not isolated  
Active low  
Short circuit between INPUT and GND to activate the signal.  
(do not power the Input)  
Max 50Vdc , 20mA  
Vil Max= 0,5Vdc Vih Min= 3,0Vdc

9. GND (Remote block)
10. INPUT 1 (Remote block)
11. GND (Remotely managed)
12. INPUT 2 (Rem. managed)

### VDC OUTPUT

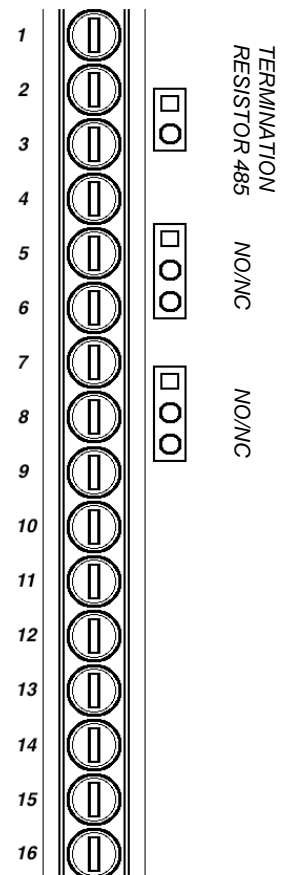
9Vdc OUT, max 100mA

13. GND
14. 9V OUT+

### POWER SUPPLY

12Vdc-24Vdc (1A)

15. GND
16. PWR IN +



\* Inputs and outputs can be changed by the TechMaster setup software. The values shown inside the brackets must be considered just as factory values.

The connection and installation of the interface has to be done by qualified personnel properly trained.

#### **RESET PROCEDURE.**

- 1) Connect the reset-box to any of the keypad/lock connector on the interface.
- 2) Push and release the reset button. The LED will begin to blink slowly.
- 3) Disconnect the reset-box from the interface.
- 4) Push and release again the reset button. The LED will turn on for a few seconds then it will turn off.
- 5) The interface is now reset and it is ready to be installed on the system.

#### **INSTALLATION PROCEDURE.**

- 1) Make sure that the interface is reset.
- 2) Connect the interface to the keypad.
- 3) Open the lock 1 and keep the bolt open.
- 4) Enter in the configuration menu.
- 5) Select 'Install I/O interface' submenu.
- 6) Enter Master code to complete the installation procedure.
- 7) The interface is now installed and resdy to work.
- 8) When using the interface in 'RS485 mode', make sure the ID is set correctly.