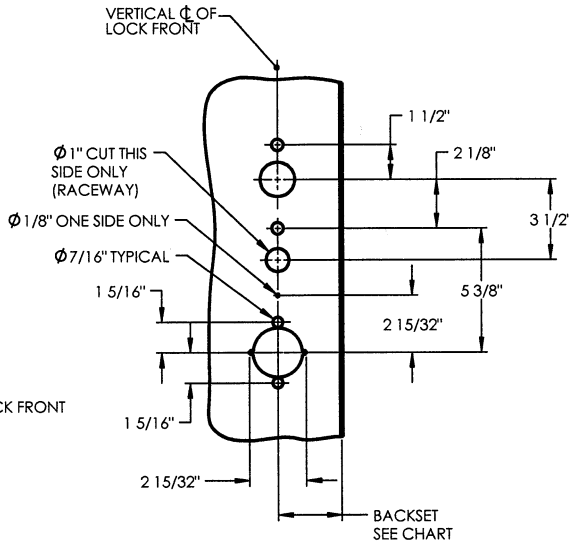
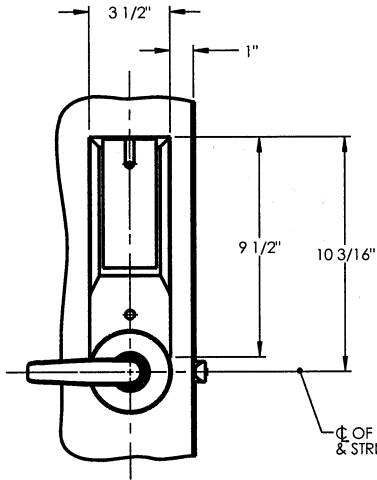
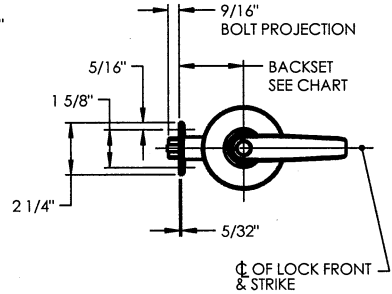
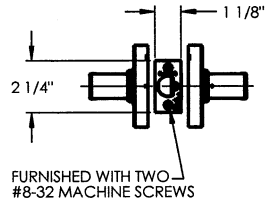


BACKSET	LOCKSET
2 3/4"	10
3 3/4"	23-10
5"	25-10



INSIDE SURFACE OF DOOR



NOTES:
 1. FOR ADDITIONAL INFORMATION SEE TEMPLATE NO 4375.
 2. FOR OUTSIDE TRIM SEE TEMPLATE NO 4486.

SARGENT Manufacturing Company 100 Sargent Drive New Haven, CT 06511	
TEMPLATE: INSIDE TRIM 10 LINE WITH KEYPAD: KP10G77	RELEASE DATE 30 MAY 08
	TEMPLATE NO. 4494C