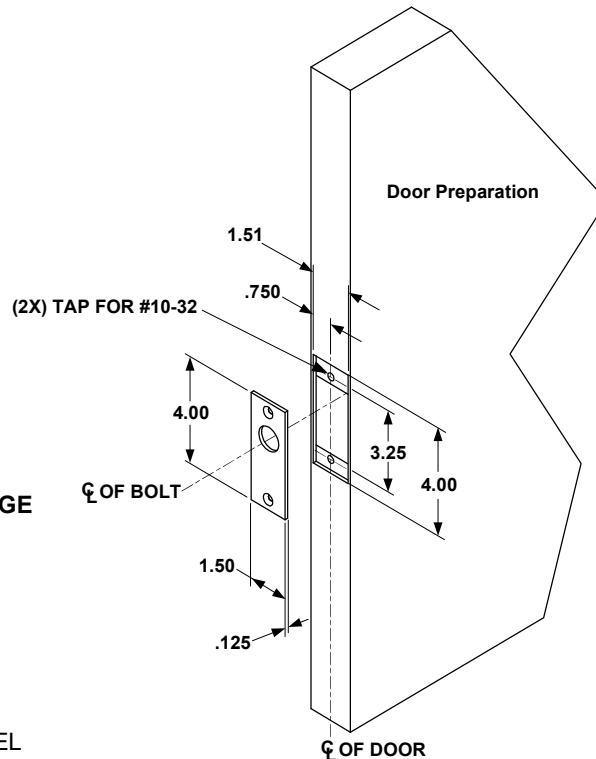
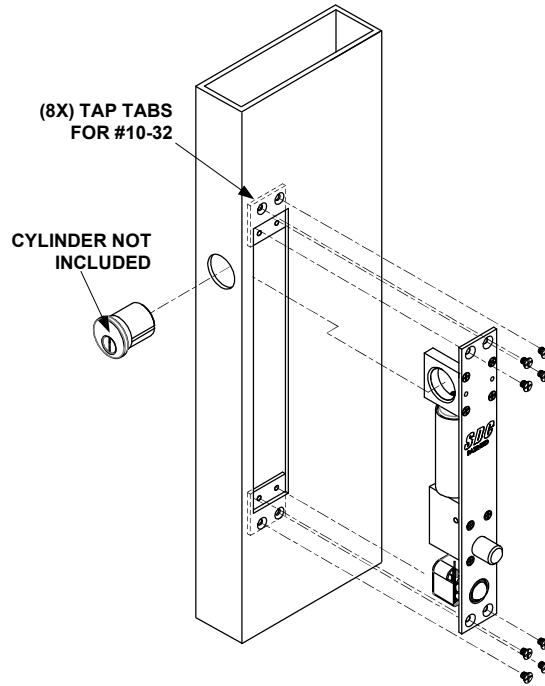
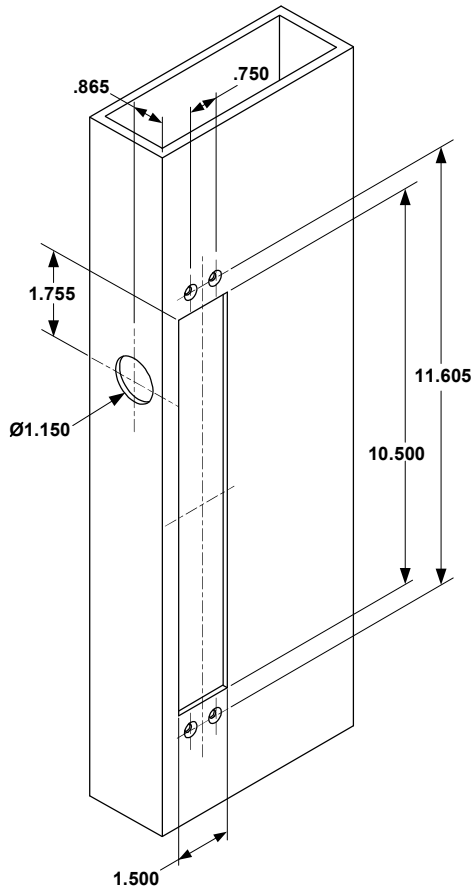




# INSTALLATION INSTRUCTIONS

## 1091ADMR (.865" BACKSET) BOLT LOCK MECHANICAL RELEASE (DOOR MOUNT – SINGLE CYLINDER)

### ALUMINUM FRAME MOUNT CONFIGURATION



**NOTE:**  
TEMPLATE DIMENSIONS ARE SUBJECT TO CHANGE WITHOUT NOTICE.

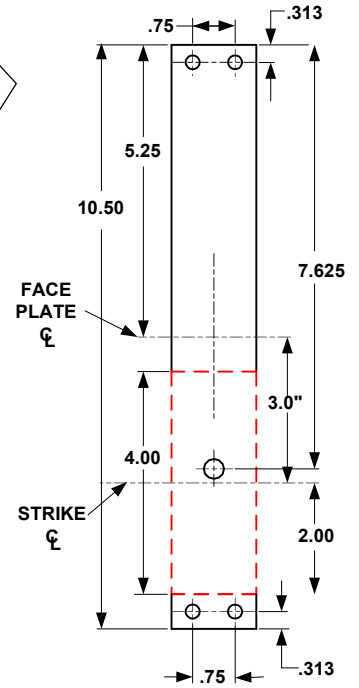
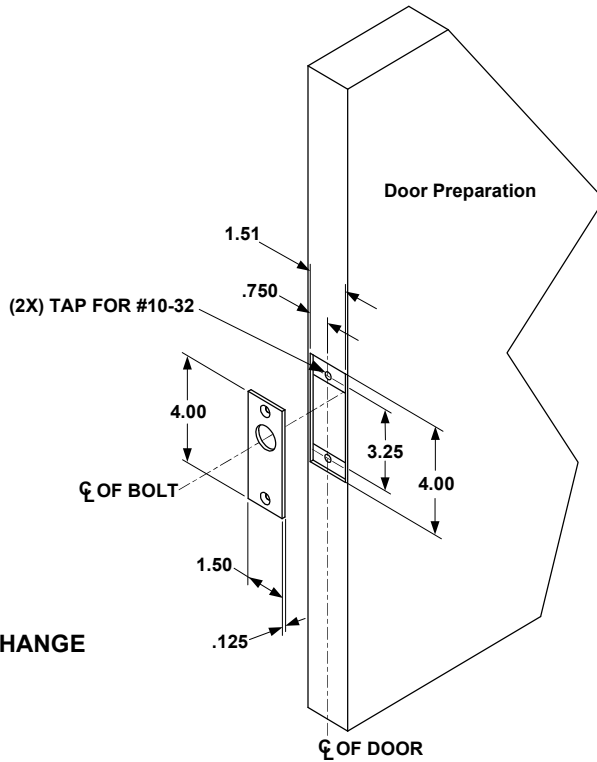
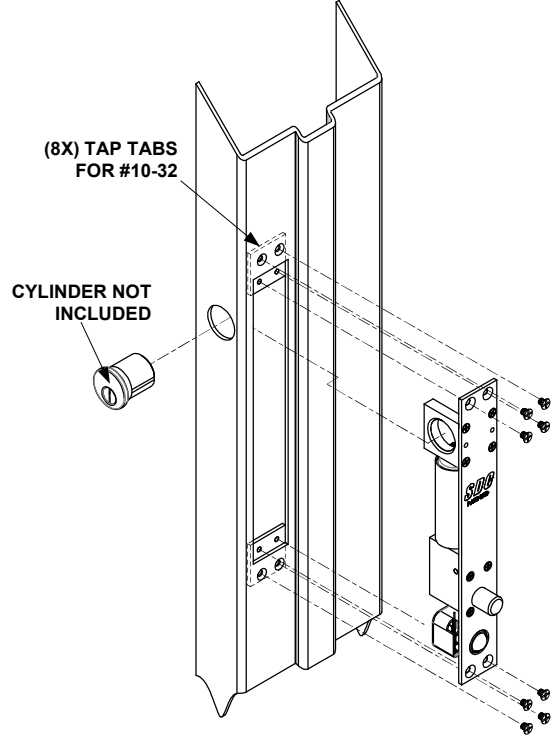
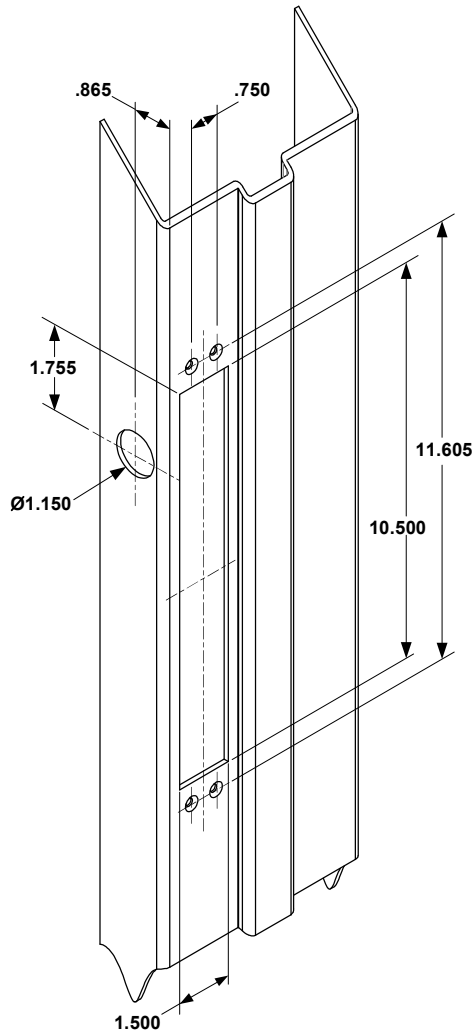
### TECHNICAL DATA (FOR STANDARD UNIT)

<b>FACE PLATE:</b>	10-1/2" x 1-1/2" X 1/8"
<b>STRIKE:</b>	4" x 1-1/2" x 1/8"
<b>ID REQUIREMENTS:</b>	10-1/2" x 1-1/2" x 1-3/4"
<b>BOLT:</b>	5/8" DIA. STAINLESS STEEL
<b>BOLT THROW:</b>	3/4"
<b>BACK SET:</b>	.865"

Any suggestions or comments to this instruction or product are welcome. Please contact us through our website or email [engineer@sdsecurity.com](mailto:engineer@sdsecurity.com)



### HOLLOW METAL MOUNT CONFIGURATION



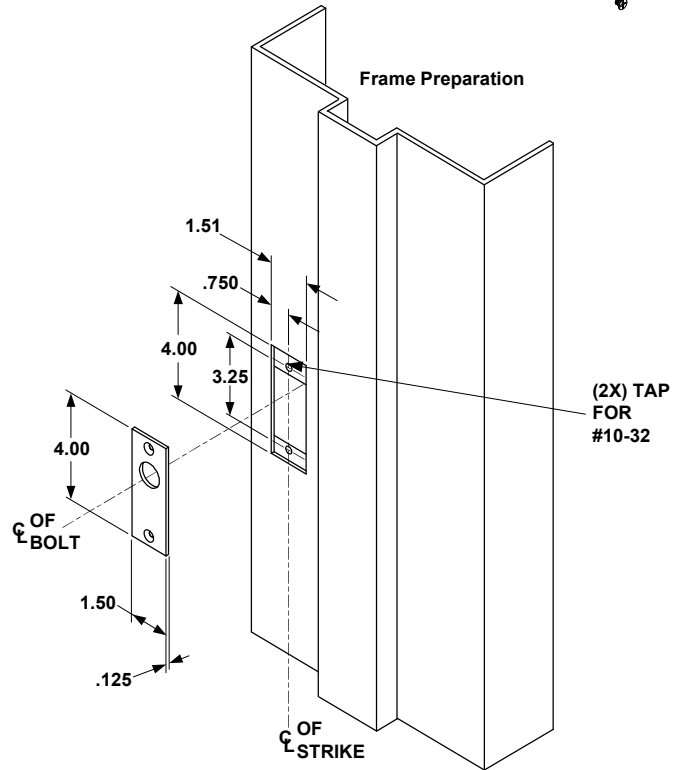
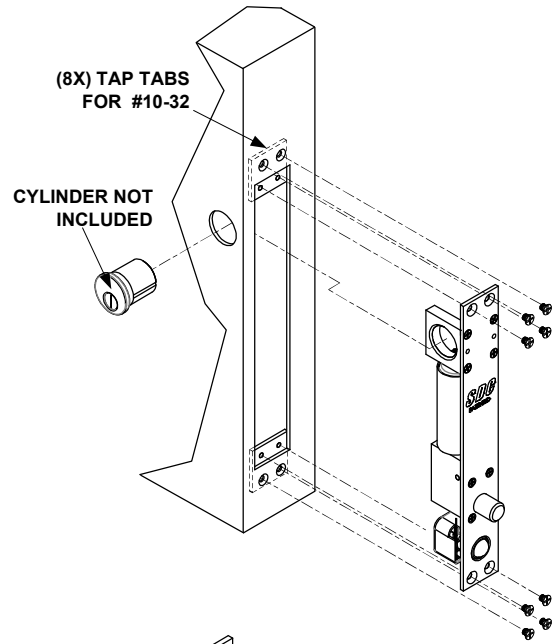
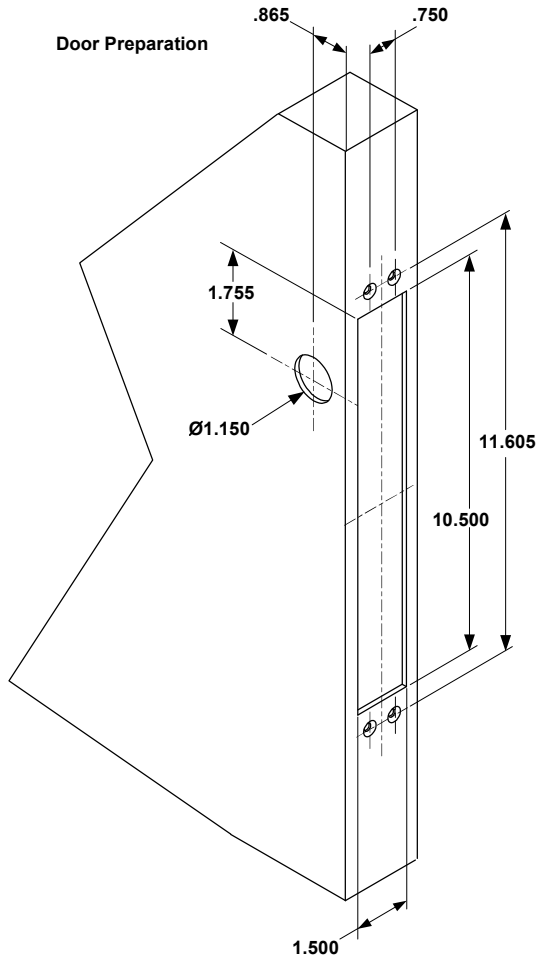
**NOTE:**  
TEMPLATE DIMENSIONS ARE SUBJECT TO CHANGE WITHOUT NOTICE.

#### TECHNICAL DATA (FOR STANDARD UNIT)

<b>FACE PLATE:</b>	10-1/2" x 1-1/2" X 1/8"
<b>STRIKE:</b>	4" x 1-1/2" x 1/8"
<b>ID REQUIREMENTS:</b>	10-1/2" x 1-1/2" x 1-3/4"
<b>BOLT:</b>	5/8" DIA. STAINLESS STEEL
<b>BOLT THROW:</b>	3/4"
<b>BACK SET:</b>	.865"



### DOOR MOUNT CONFIGURATION

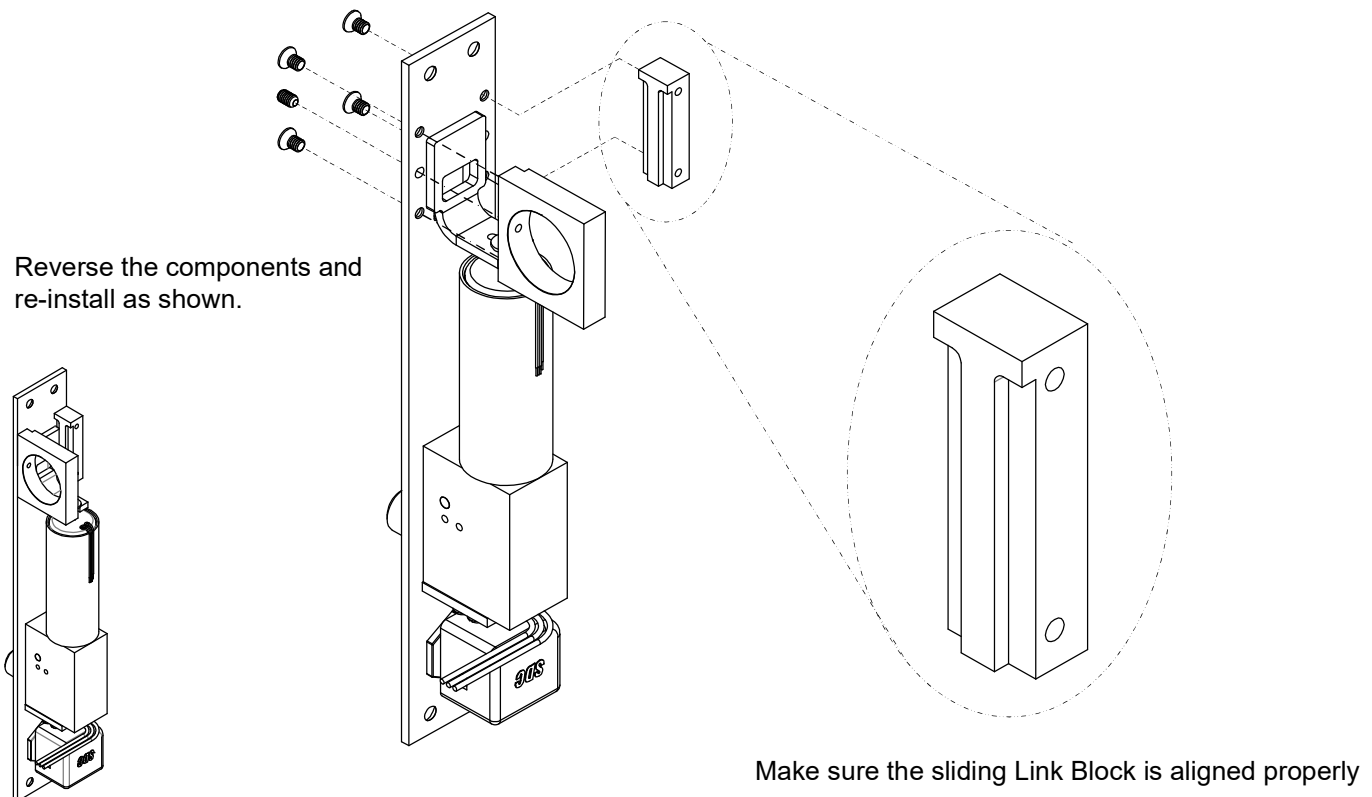
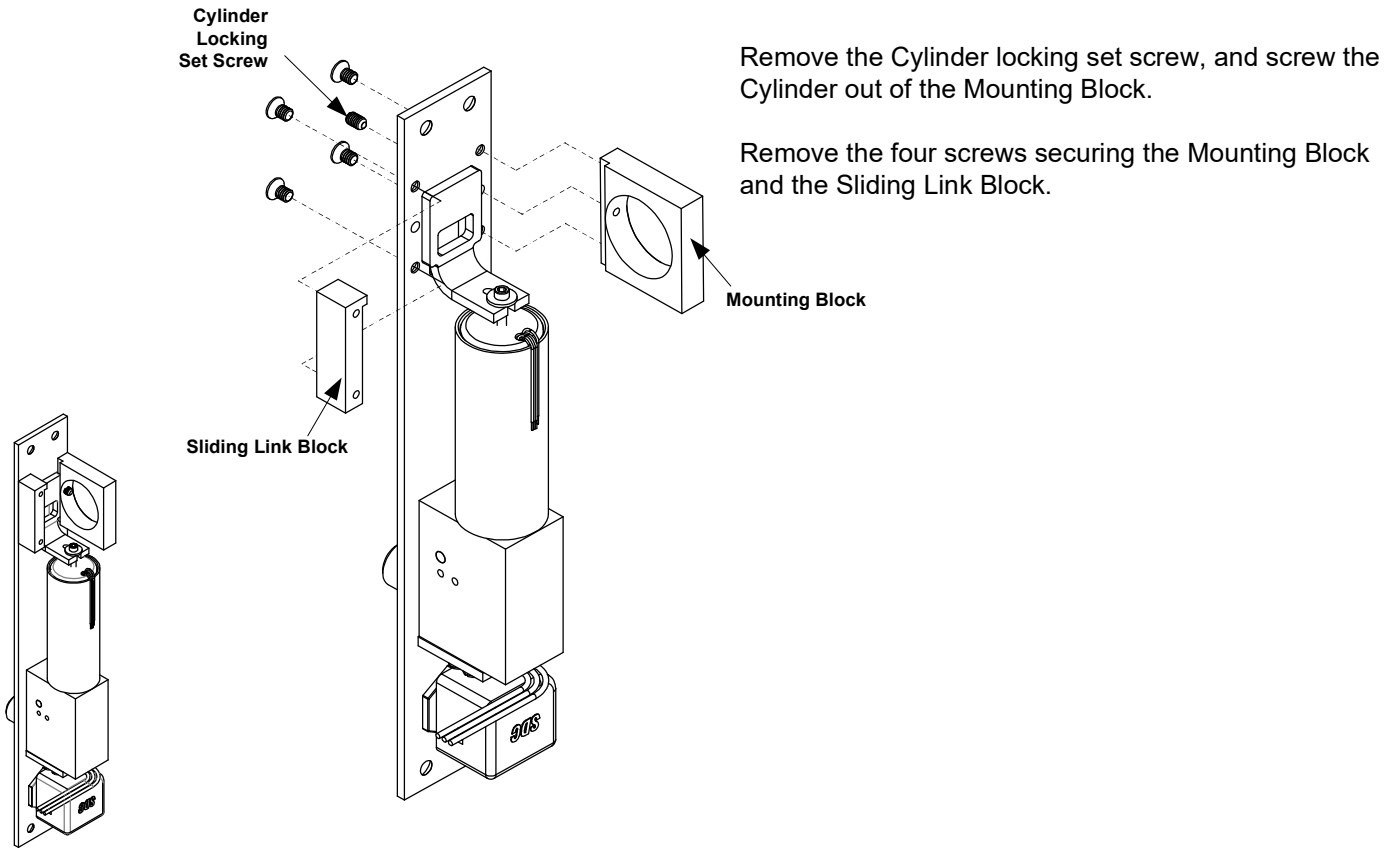


**NOTE:**  
TEMPLATE DIMENSIONS ARE SUBJECT TO CHANGE WITHOUT NOTICE.

#### TECHNICAL DATA (FOR STANDARD UNIT)

<b>FACE PLATE:</b>	10-1/2" x 1-1/2" X 1/8"
<b>STRIKE:</b>	4" x 1-1/2" x 1/8"
<b>ID REQUIREMENTS:</b>	10-1/2" x 1-1/2" x 1-3/4"
<b>BOLT:</b>	5/8" DIA. STAINLESS STEEL
<b>BOLT THROW:</b>	3/4"
<b>BACK SET:</b>	.865"

## INSTRUCTIONS FOR REVERSING THE CYLINDER

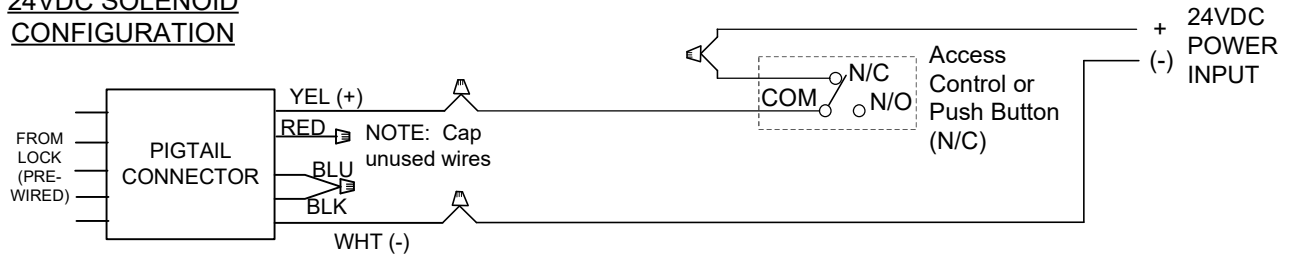




### LOCK WIRING

Select 24VDC OR 12VDC Configuration, and use provided pigtail connector:

#### 24VDC SOLENOID CONFIGURATION



#### ELECTRICAL DATA:

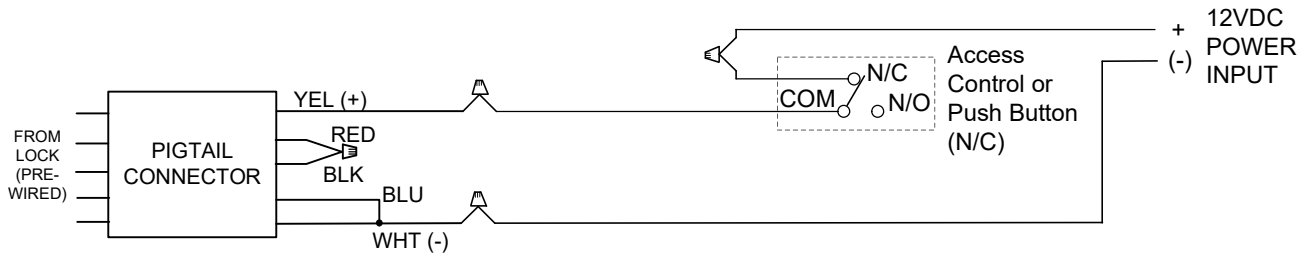
Dual Voltage Solenoid

12VDC @ .9 mA (max.)

24VDC @ .45 mA (max.)

Continuous Duty

#### 12VDC SOLENOID CONFIGURATION

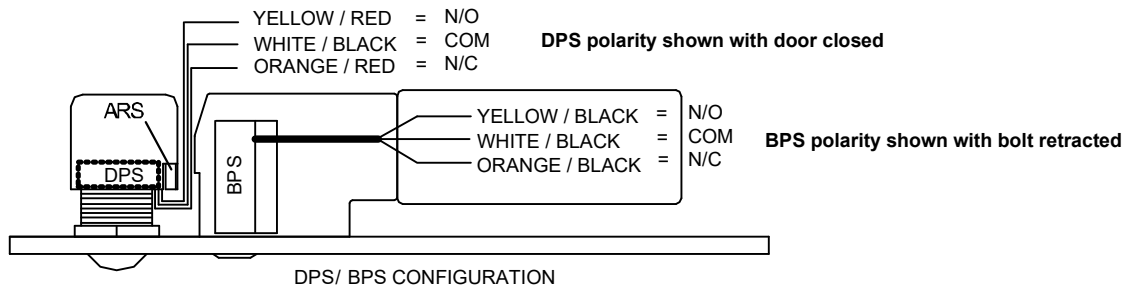


#### OPTIONAL BOLT POSITION SENSOR (BPS-MAGNETIC)

B Indicates bolt locked or unlocked 5 Watt

#### OPTIONAL DOOR POSITION SWITCH (DPS-MECHANICAL)

D Indicates door opened or closed 4A @ 30VDC (Resistive)



\*When both options are ordered the Common is shared