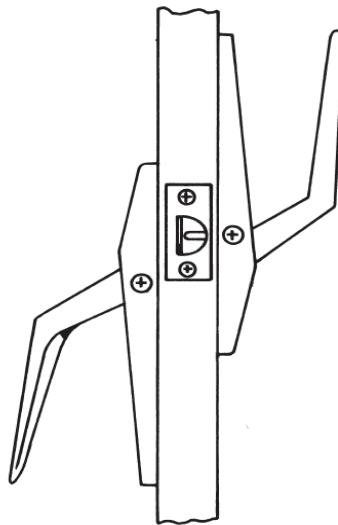


# 115 Hospital Latch

## Specialty Hardware



### Attention Installer

Please read these instructions carefully to prevent missing important steps.

#### **Note**

- Improper installation may result in damage to lock and void factory warranty.
- Other product brand names may be trademarks or registered trademarks of their respective owners and are mentioned for reference only.
- Handle units are factory assembled for either right or left hand doors. Be sure to use correct hand to match door application.

#### **⚠ WARNING**

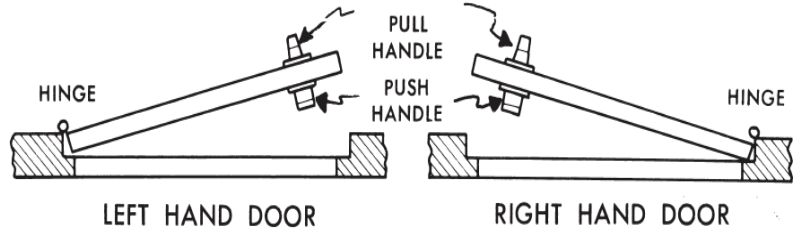
This product can expose you to lead which is known to the state of California to cause cancer and birth defects or other reproductive harm. For more information go to [www.P65warnings.ca.gov](http://www.P65warnings.ca.gov).

The ASSA ABLOY Group is the global leader in access solutions. Every day we help people feel safe, secure and experience a more open world.

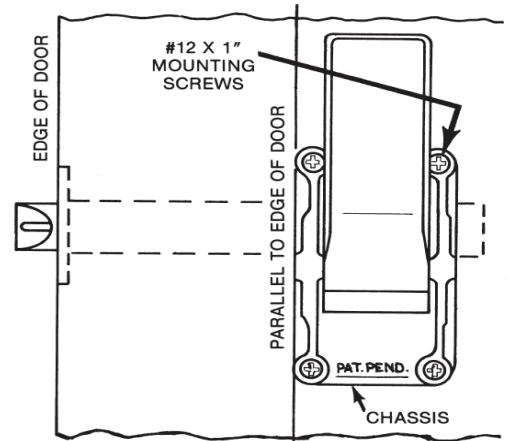
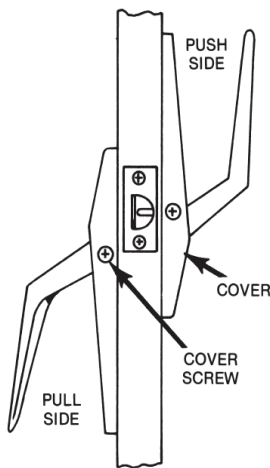
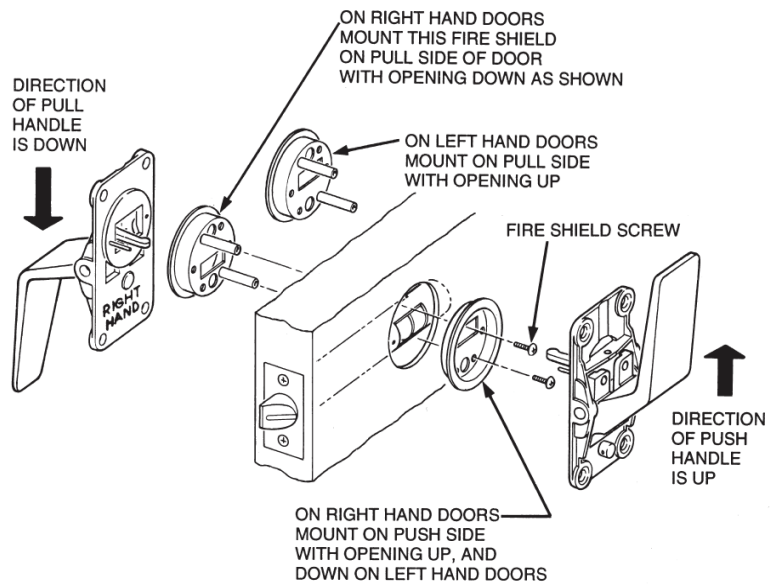
**1**

**Installation**

- Prepare door according to template.
- Place latch case in door with bolt bevel facing the direction of door closing. Screw front into place.
- Mount fire shields to door, using two 4-40 screws provided. Use two 3/8" x 1" long screws for 1-3/4" doors. Use two 7/8" x 1" long screws for 2-1/4" doors.
- Position handle units so that location pin and cam arm enter into corresponding holes in latch case and fire shields.
- Line up edge of chassis parallel to edge of door, using a level.
- Mark location of mounting screws. Use a 1/8" (maximum) pilot drill before applying four #12 X 1" flat phillips head mount screws. Repeat procedure for opposite handle unit.
- Apply covers and fasten to chassis with the two screws per cover provided. Tighten screws evenly on each side of cover so that handle does not touch side of hole.



**RIGHT HAND DOOR SHOWN**



SARGENT Manufacturing Company  
100 Sargent Drive  
New Haven, CT 06511 USA  
800-727-5477  
www.sargentlock.com