

1331

Non Handed Door Closer

Regular Arm
Top Jamb Mount
Parallel Arm

Hold Open Arm Models

Adjustable (Sizes 1-6)

JH
JHZ
JPH9
JUH



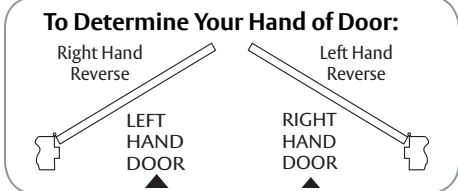
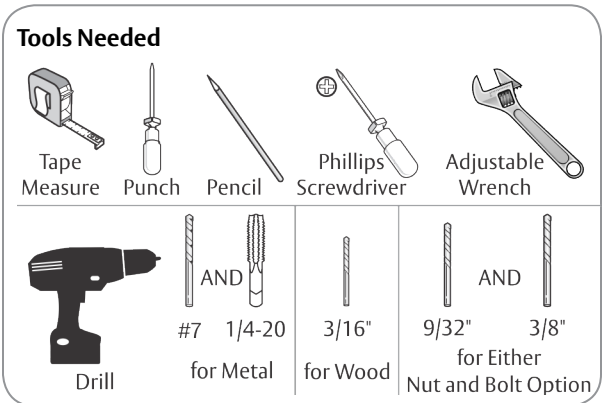
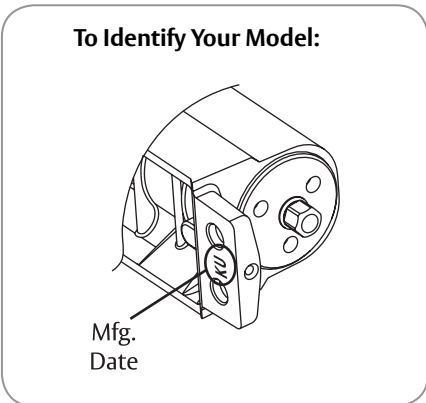
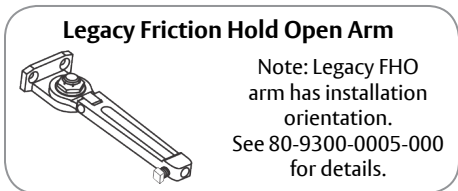
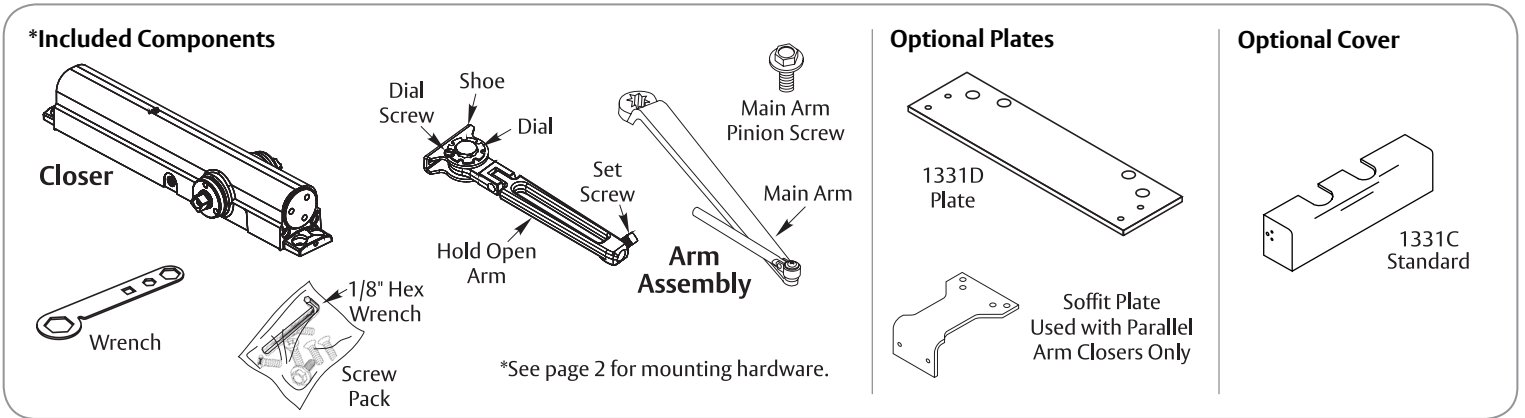
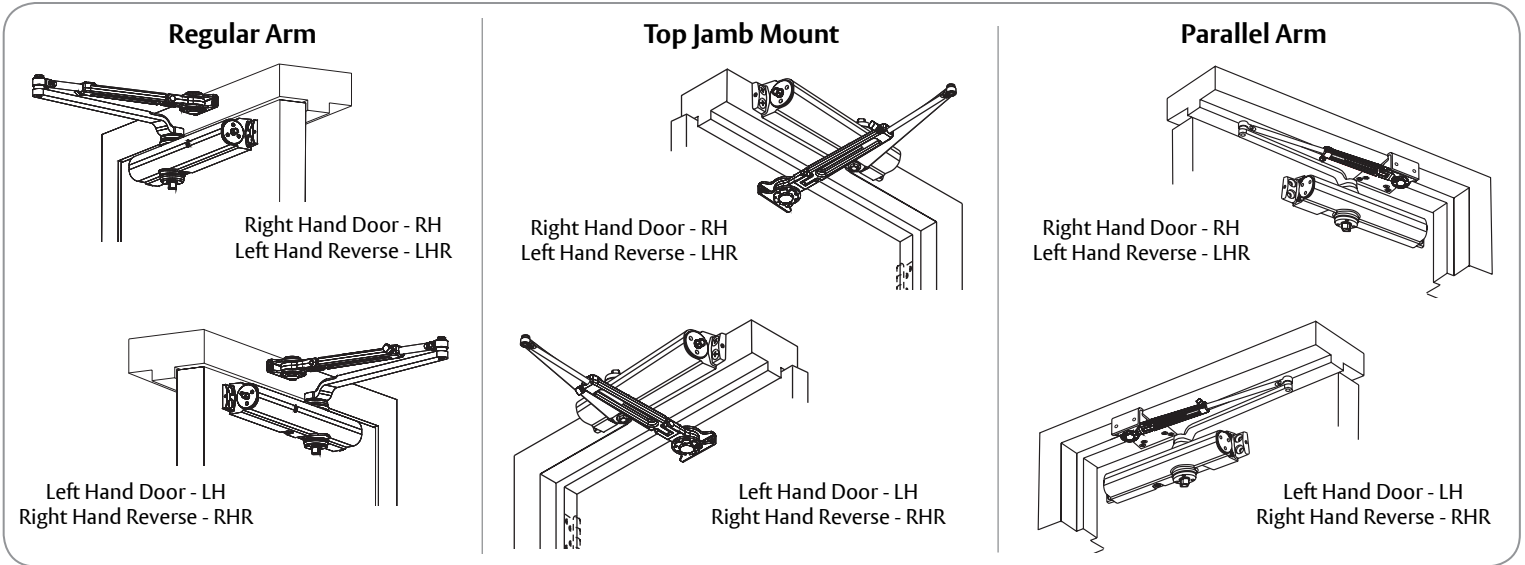
SARGENT®

ASSA ABLOY

! WARNING

This product can expose you to lead which is known to the state of California to cause cancer and birth defects or other reproductive harm. For more information go to www.P65warnings.ca.gov.

Ce produit peut vous exposer au plomb qui, dans l'état de la Californie, est reconnu pour causer le cancer, des anomalies congénitales ou d'autres problèmes de reproduction. Pour plus d'informations, visitez: www.P65warnings.ca.gov.



1331 Installation Instructions

SARGENT

ASSA ABLOY

Before You Begin

ATTENTION:

An incorrectly installed or improperly adjusted door closer can cause property damage or personal injury. These installation instructions should be followed to avoid the possibility of misapplication or misadjustment.

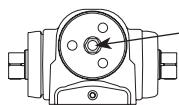
- For special applications, a separate door and frame preparation template is packed with these instructions. Use this instruction sheet for installation sequence and closer adjustments only.
- Doors should be hung on ball bearing or anti-friction hinges.
- A separate door stop is recommended.
- Always consult door/frame manufacturer for fastener compatibility.
- Door and frame must be properly reinforced.
- Adjust closing time speed between 3 and 7 seconds from 90° to 0°. Greater closing times may be required for elderly or handicapped.
- These door closers should NOT be installed on exposed side (weather side) of exterior doors.
- Dimensions are given in inches (millimeters).

Mounting Hardware	Door or Frame	Drill
Closer, H/O Shoe or Optional PA Bracket: 1/4-14 x 1-1/2 Oval Flat Head Mach. Screw	Wood	3/16" (4.76mm)
Closer, H/O Shoe or Optional PA Bracket: 1/4-20 x 3/4 Oval Flat Head Mach. Screw	Metal	Drill #7 (.201 dia. or 5.10mm) Tap 1/4-20
H/O Shoe to Optional PA Bracket: 1/4-20 x 1/2 Oval Flat Head Mach. Screw		
Closer: Sleeve Nut and Bolt (SNB) (optional)	Hollow Metal	9/32" (7.00mm) thru 3/8" (9.50mm) door face opposite to closer
	Aluminum or Wood	3/8" (9.50mm) thru
Closer: Thru Bolt and Grommet Nut (TBGN) (optional)	All	9/32" (7.00mm) thru 3/8" (9.50mm) dia. x 3/8" (9.500mm) deep, door face opposite to closer

Closer Adjustments



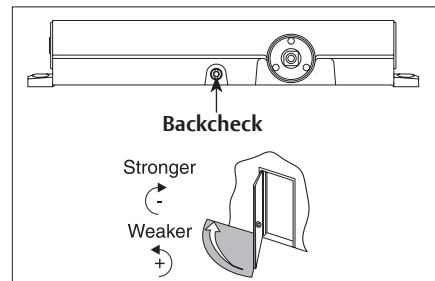
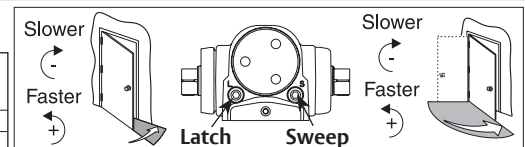
Use provided hex wrench to turn valves. NEVER force valves out of closer. NEVER completely close backcheck valve.



Door must be open to adjust spring closing power. Refer to chart. Do not use a power drill. Warranty will be void.

Spring Closing Power				Number of Turns Required			
DOOR	TYPE OF INST.	*	MAXIMUM DOOR SIZE				
			34" (0.85M)	36" (0.90M)	42" (1.05M)	48" (1.20M)	
1331	INTERIOR	FULL 360° TURNS	Regular Arm Top Jamb	5	8	11	13
	Parallel Arm		7	10	13	16	
	EXTERIOR		Regular Arm Top Jamb	7	10	13	16
	Parallel Arm		9	12	15	18	

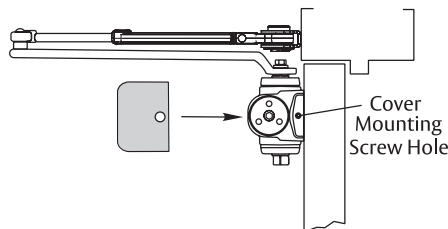
*20 FULL (360°) TURNS MAX. AVAILABLE = 10 TURNS AS SHIPPED



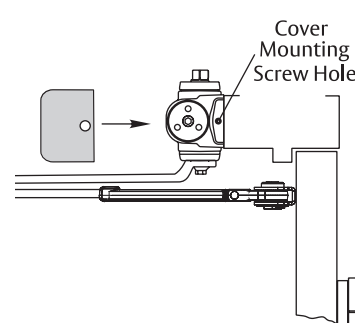
Cover



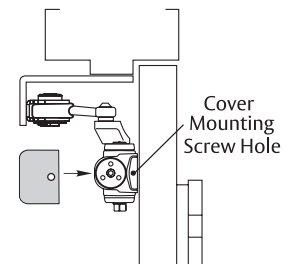
Do not over tighten cover screws.



Regular Arm



Top Jamb Mount



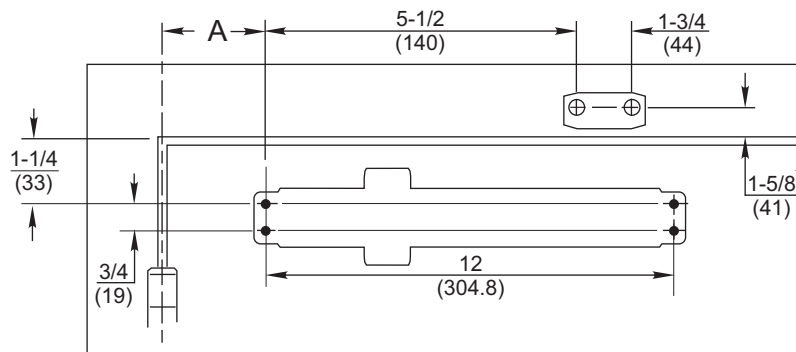
Parallel Arm

1331 Regular Arm Installation (Right Hand Shown)

SARGENT

ASSA ABLOY

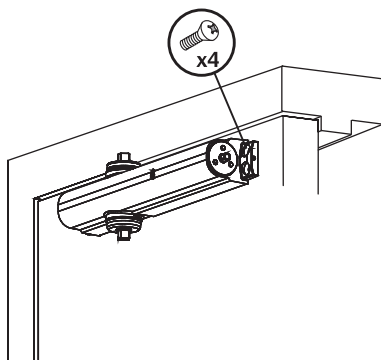
1. Prepare door and frame.



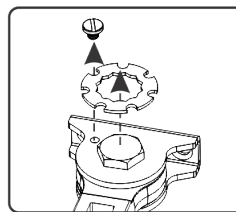
Opening	Dimension "A"
To 100°	7-1/2 (191)
101° to 130°	6 (152)
131° to *180°	4-1/2 (114)

*Door/Wall/Hardware/Jamb conditions permitting

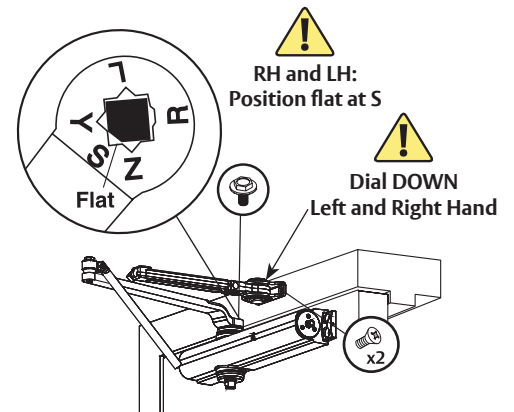
2. Mount closer to door.



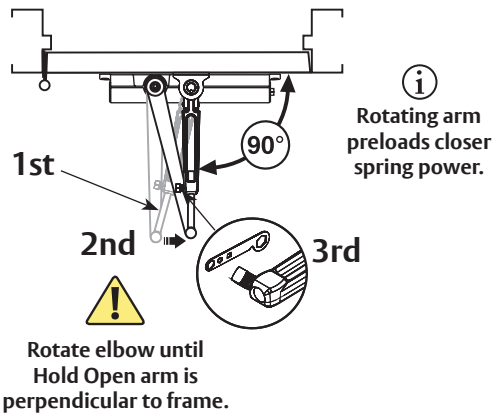
3a. Remove dial from Hold Open arm.



3b. Install separate arms.

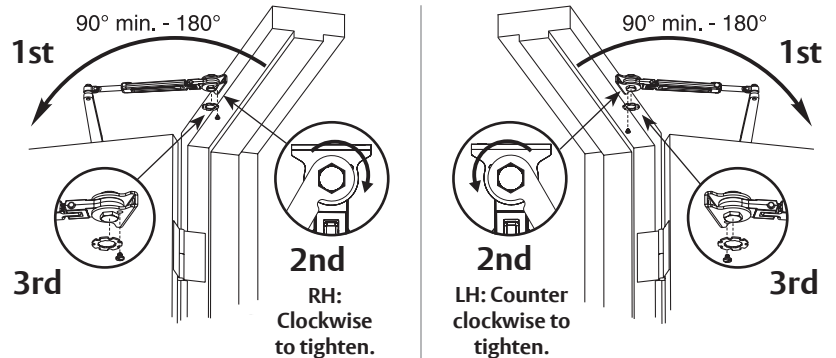


4. Connect arms, preload spring and tighten set screw.



5. Set Hold Open.

! Keep door open in position until dial screw secures dial.



You've installed the 1331 Hold Open Closer - Regular Arm.

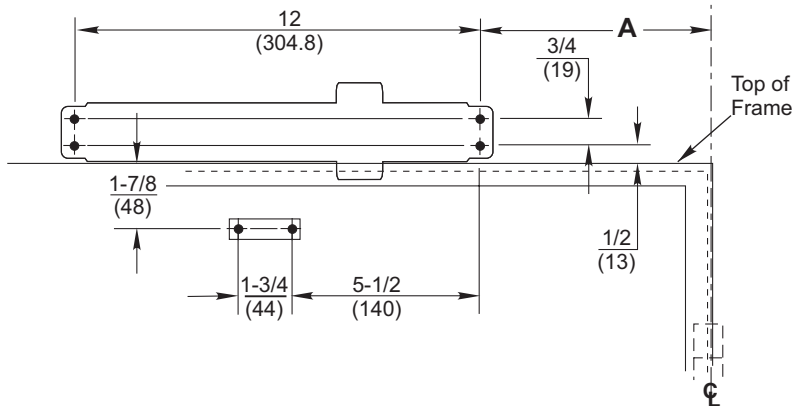
● Go to page 2 for closer adjustments and decorative cover installation.

1331 Top Jamb Mount Installation (Right Hand Shown)

SARGENT®

ASSA ABLOY

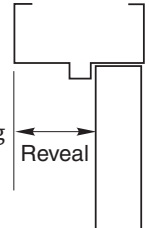
1. Prepare door and frame.



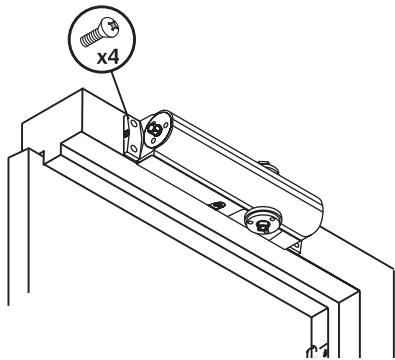
Opening	Dimension "A"
To 100°	7-1/2 (191)
101° to 130°	6 (152)
131° to *180°	4-1/2 (114)

* Door/Wall/Hardware/Jamb conditions permitting

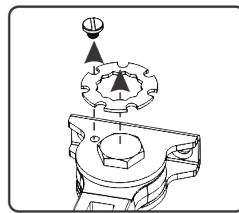
A longer connecting rod is required for reveals greater than 3" (76)



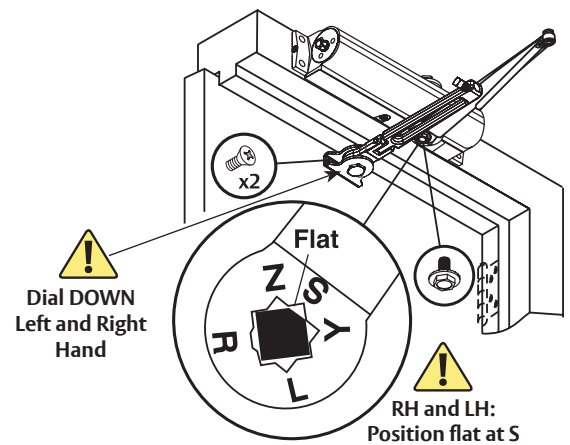
2. Mount closer to frame.



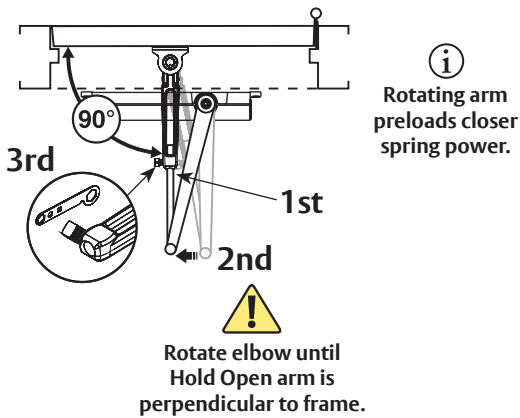
3a. Remove dial from Hold Open arm.



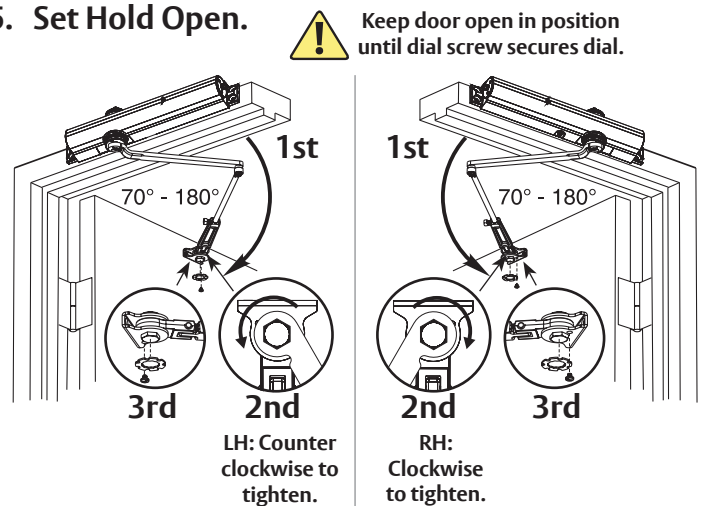
3b. Install separate arms.



4. Connect arms, preload spring and tighten set screw.



5. Set Hold Open.



You've now installed the 1331 Hold Open Closer - Top Jamb Mount.

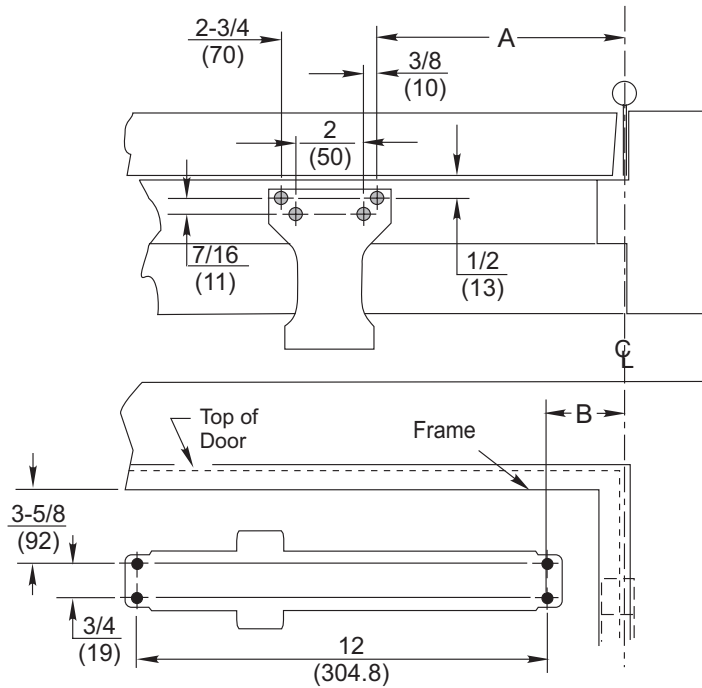
● Go to page 2 for closer adjustments and decorative cover installation.

1331 Parallel Arm Installation (Right Hand Shown)

SARGENT

ASSA ABLOY

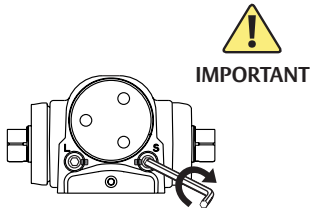
1. Prepare door and frame.



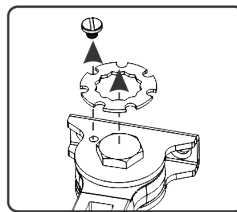
Door Opening	A	B
To 120°	9-1/2 (241)	3-3/4 (95)
*121° to 180°	7 (178)	1-1/4 (32)

* Door/Wall/Hardware/Jamb conditions permitting

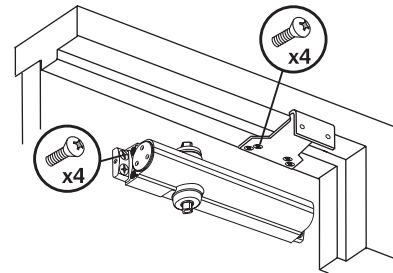
2. Close latch and sweep valves.



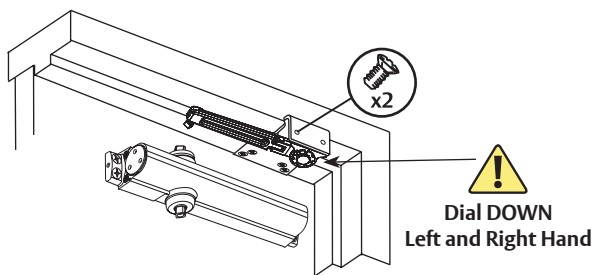
3. Remove dial from Hold Open arm.



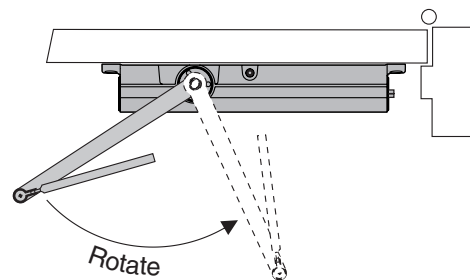
4. Install soffit plate and mount closer.



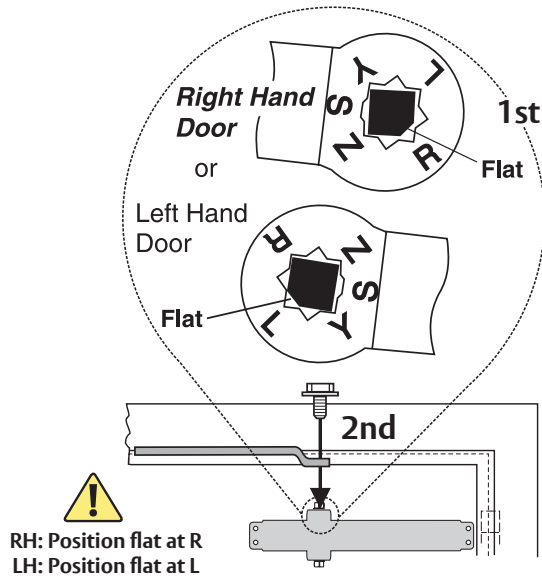
5. Install Hold Open arm to plate.



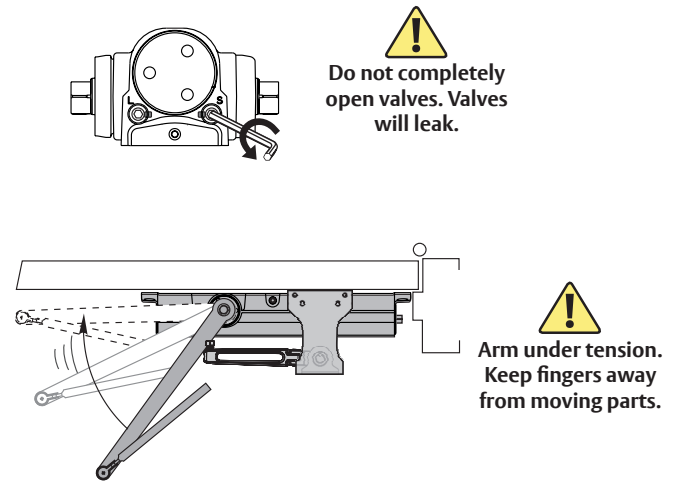
6. Place main arm on closer spindle and rotate.



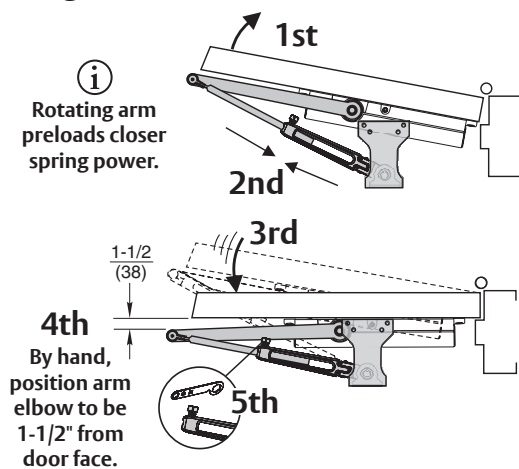
7. Remove arm and attach as shown.



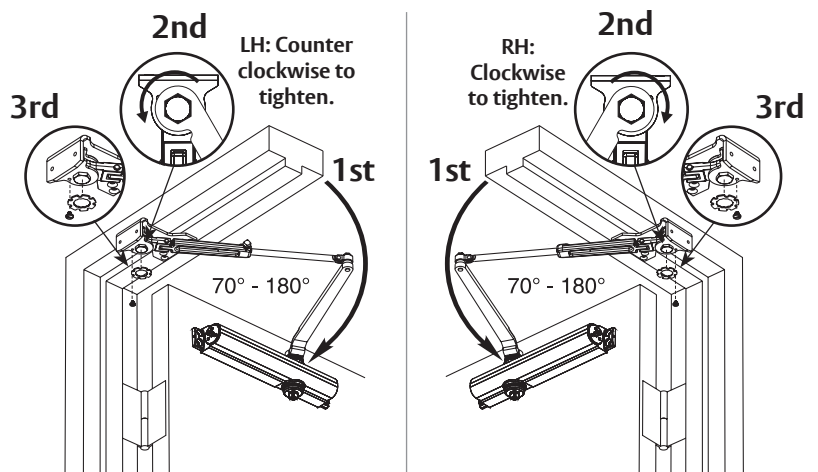
8. Open latch and sweep valves.



9. Connect arms, preload spring and tighten set screw.



10. Set Hold Open. **!** Keep door open in position until dial screw secures dial.



You've now installed the 1331 Hold Open Closer - Parallel Arm.

● Go to page 2 for closer adjustments and decorative cover installation.