

**SARGENT® 1331 DOOR CLOSER INSTALLATION
INSTRUCTIONS WITH FOLLOWING ARM SETS:
JO, JOZ and JP9
Strength Adjustment From Size 1 Through 6.**

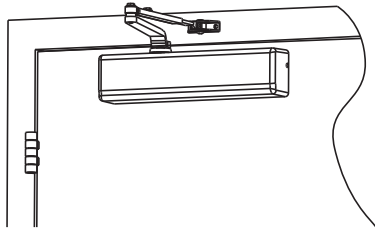
SARGENT
ASSA ABLOY

CAUTION: FAILURE TO INSTALL OR ADJUST PROPERLY MAY
RESULT IN INJURY OR DAMAGE

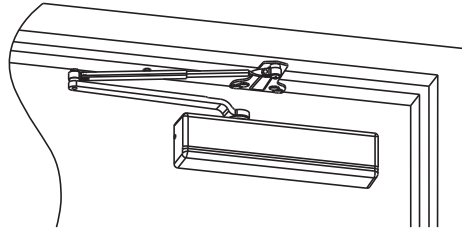
FOR ASSISTANCE, CALL SARGENT AT 1-800-727-5477 or
www.Sargentlock.com

**NOTE: These installation instructions to be used for
product manufactured on or after Nov. 1, 2013. Date
Code: KU and shipped with arms shown on
template pages. See page 6 for date code location.**

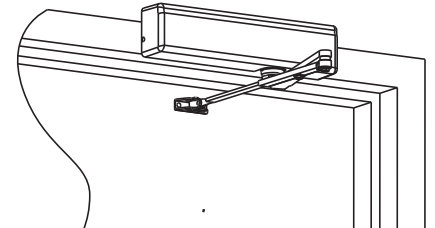
Choose From 1 of 3 Applications



JO Arm (Regular Arm)
Right hand (RH) door shown.
Left hand reverse (LHR)
See page 2

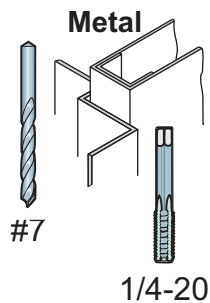
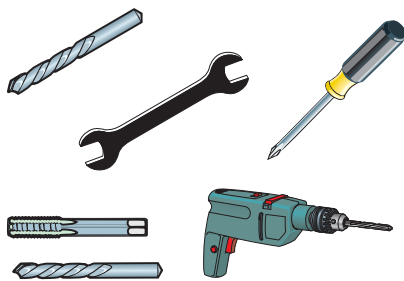


JP9 Arm (Regular Arm)
Right hand (RH) door shown.
Left hand reverse (LHR)
See page 3



JO Arm (Top Jamb Arm)
Right hand (RH) door shown.
Left hand reverse (LHR)
See page 5

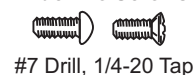
- Doors should be hung on ball bearing or anti-friction hinges.
- A separate door stop is recommended.
- Door and frame must be properly reinforced.
- Always adjust spring power before adjusting control.
- Adjust closing time speed between 3 and 7 seconds from 90° to 0°. Greater closing times may be required ADA.
- These door closers should NOT be installed on the exposed side (weather side) of exterior doors
- **NOTE:** For special applications a separate door and frame preparation template is packed with these instructions. Use this instruction sheet for installation sequence and closer adjustments only.



**Self Drilling Screws
Wood and Metal**



Machine Screws



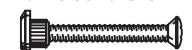
(Optional)

Sleeve Nut and Bolt

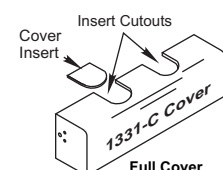
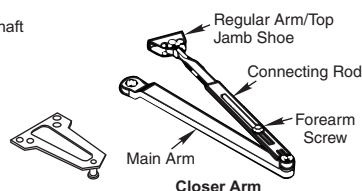
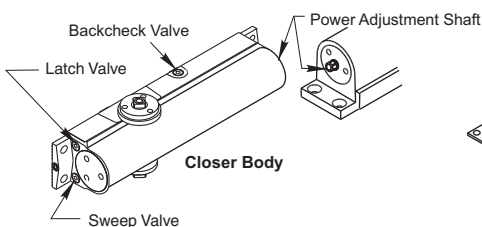


Drill 9/32 thru from Closer Side
3/8 Drill other side

Thru Bolt and Grommet Nut

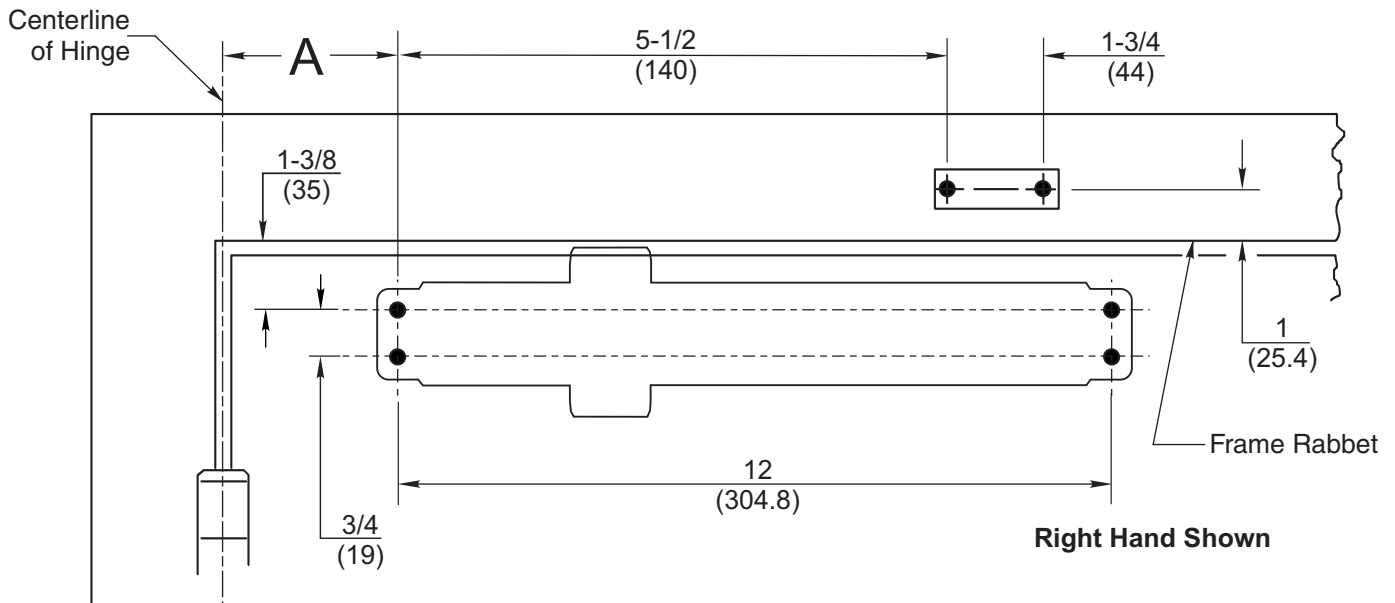


Drill 9/32 thru from Closer Side
3/8 Drill other Side



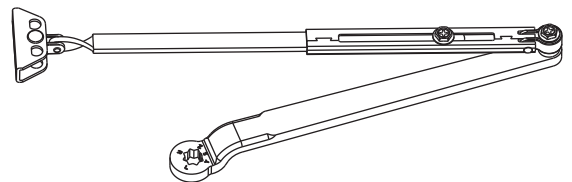
Full Cover
Standard With 1331 Series

1



Opening	Dimension "A"
To 100°	7-1/2 (191)
101° to 130°	6 (152)
131° to *180°	4-1/2 (114)

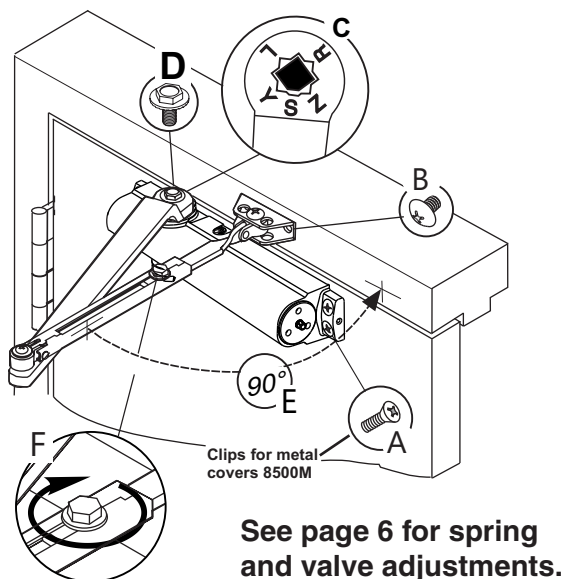
* Door/Wall/Hardware/Jamb conditions permitting



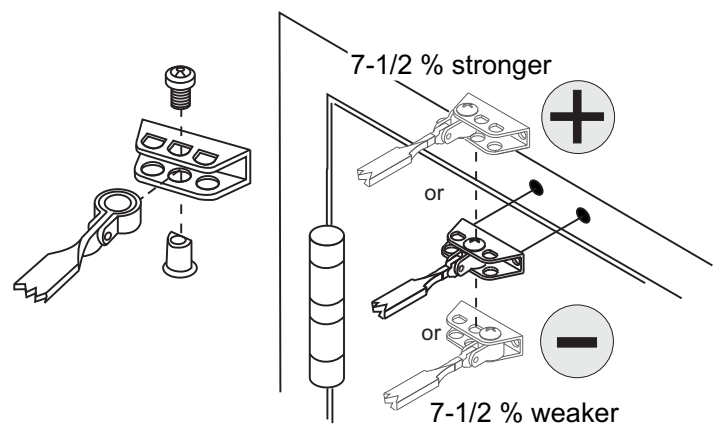
NOTE: These installation instructions to be used for product manufactured on or after Nov. 1, 2013. Date Code: KU Shipped with arm as shown.

Installation Sequence

2

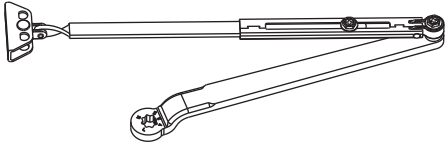


Arm Placement in Shoe (Adjust if needed)

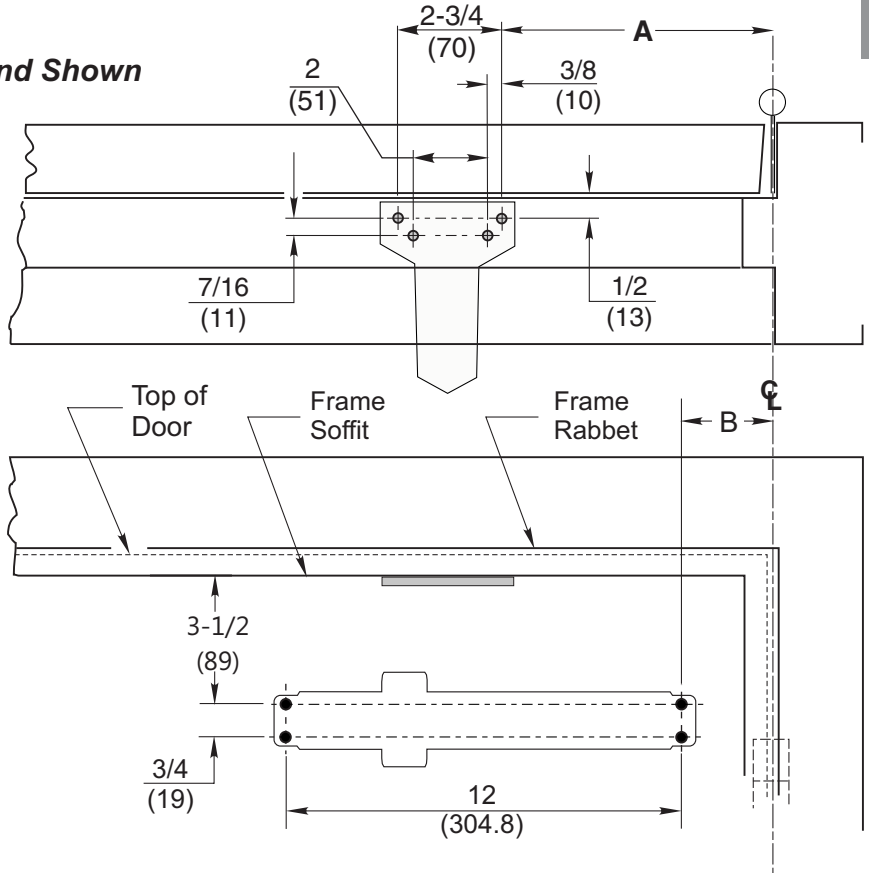




1

Right Hand Shown



NOTE: These installation instructions to be used for product manufactured on or after Nov. 1, 2013. Date Code: KU Shipped with arm as shown.

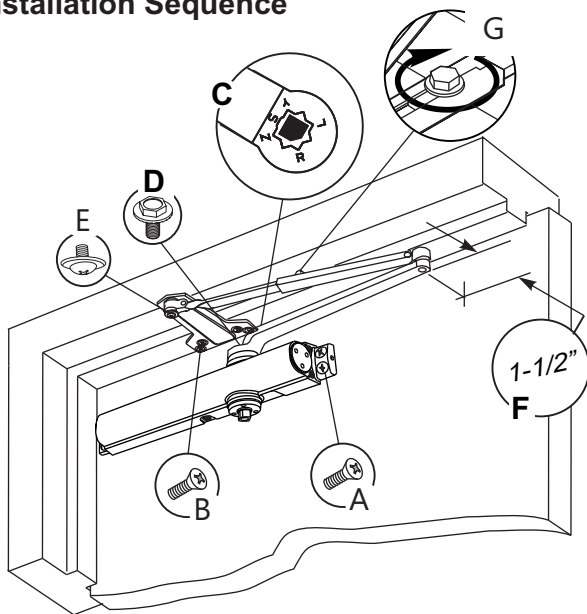


Door Opening	A 	B 
To 120°	9-1/2 (241)	3-3/4 (95)
* 121° to 180°	7 (178)	1-1/4 (32)

* Door/Wall/Hardware/Jamb conditions permitting

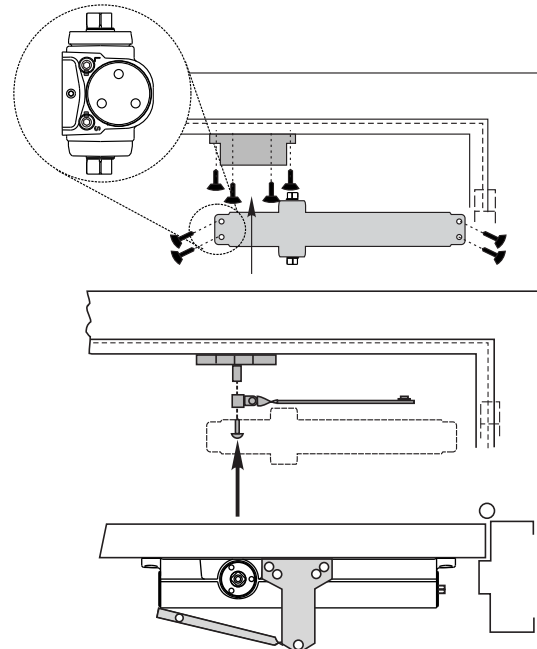
Installation Sequence

2



Install Closer and Bracket

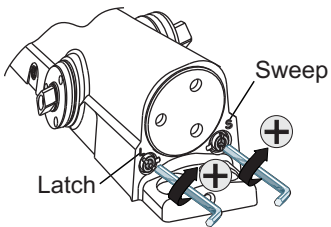
3



Continued next page.

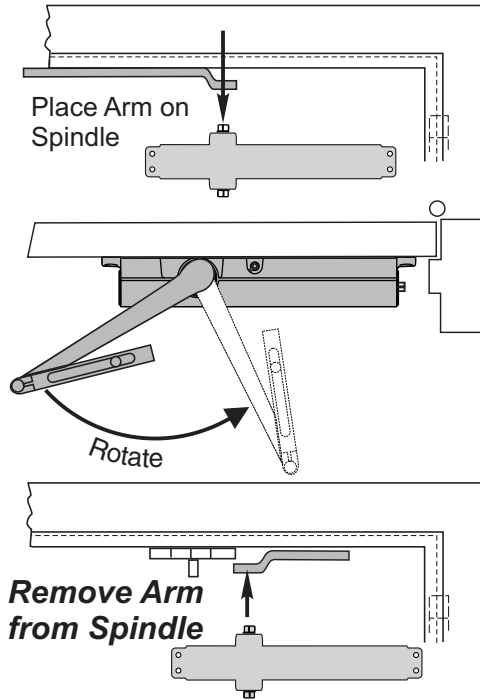
4

Close Valves



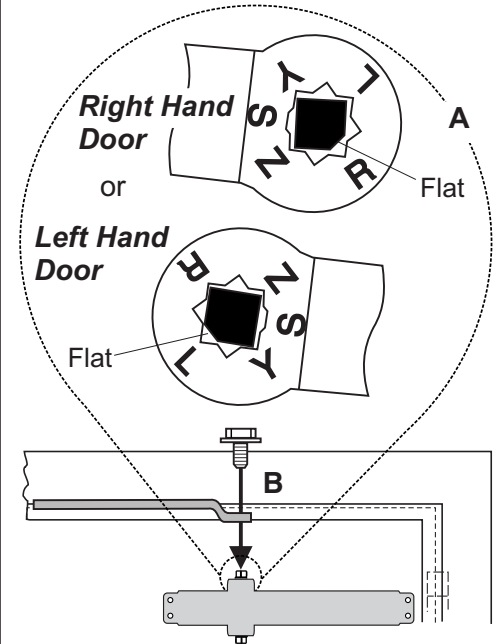
5

Preload Closer



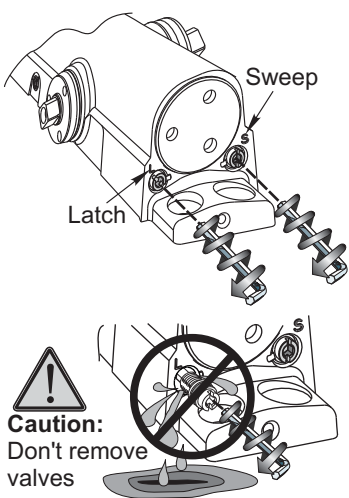
6

Attach Arm With Proper Timing



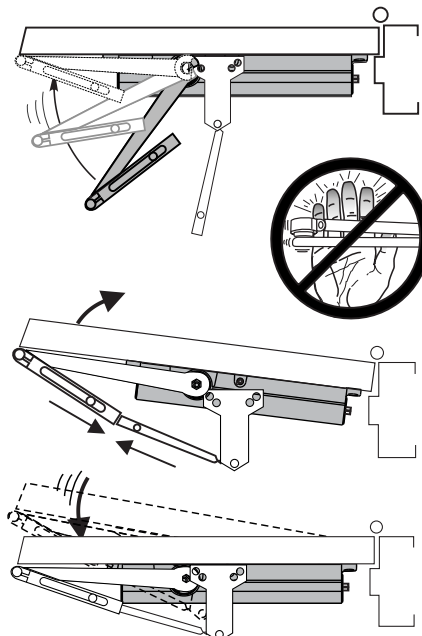
7

Open Valves



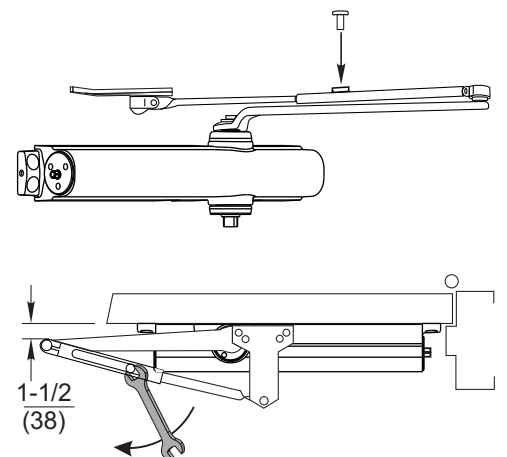
8

Assemble Arm



9

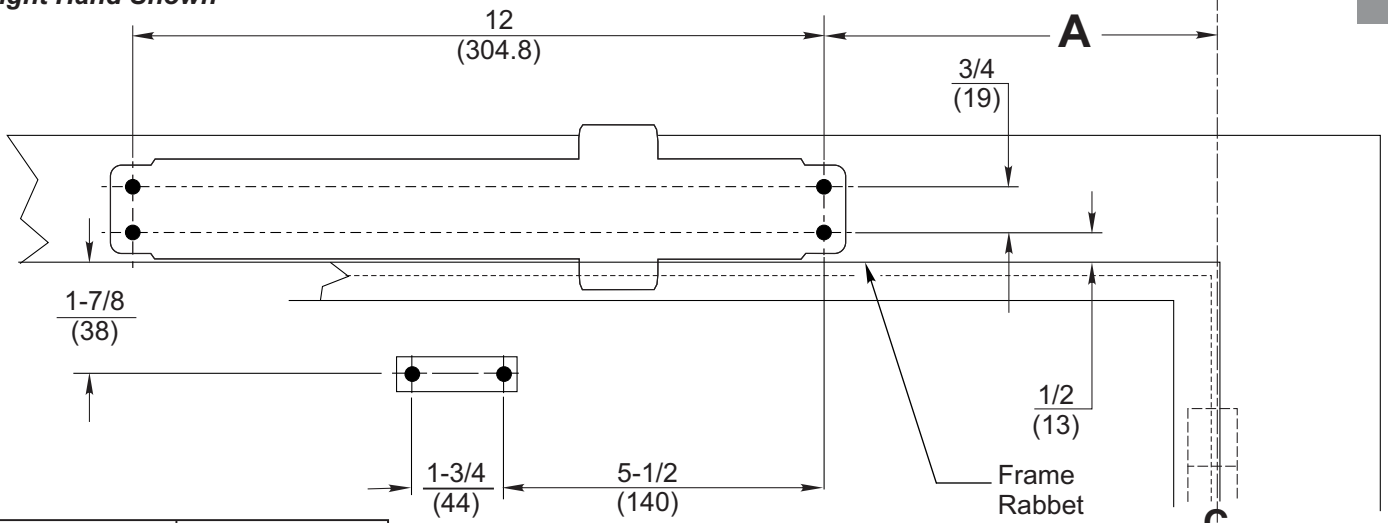
Arm Screw



See page 6 for spring and valve adjustments.

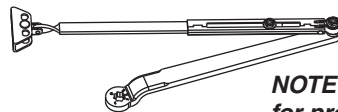
1

Right Hand Shown



Opening	Dimension "A"
To 100°	$\frac{7-1/2}{(191)}$
101° to 130°	$\frac{6}{(152)}$
131° to *180°	$\frac{4-1/2}{(114)}$

Arm	Reveal
JO	To 3-0 (76)
JOZ	2-3/4 (70) to 6-3/4 (171.5)

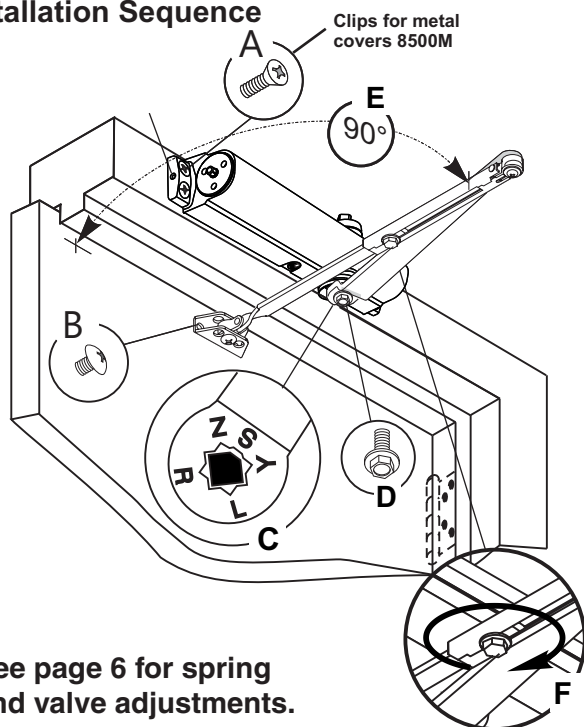


* Door/Wall/Hardware/Jamb conditions permitting

NOTE: These installation instructions to be used for product manufactured on or after Nov. 1, 2013. Date Code: KU Shipped with arm as shown.

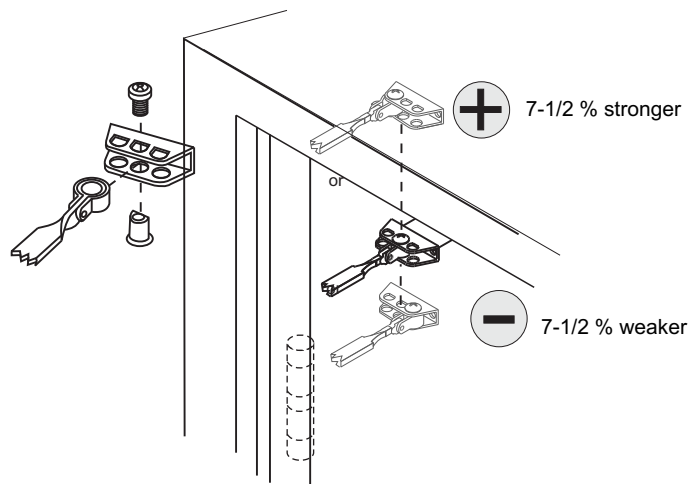
Installation Sequence

2



See page 6 for spring and valve adjustments.

Arm Placement in Shoe (Adjust if needed)



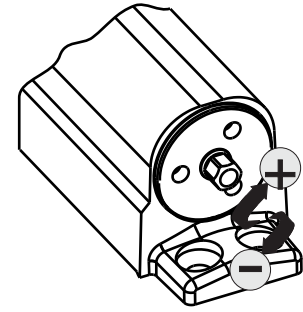
Spring Power Adjust

SARGENT®

ASSA ABLOY

Adjustment Chart				Number of Turns Required			
DOOR	TYPE OF INST.	*		MAXIMUM DOOR SIZE			
				32" (0.85M)	36" (0.90M)	42" (1.00M)	48" (1.20M)
8100/8300/8500	INTERIOR	Regular Arm Top Jamb	FULL 360° TURNS OF 5/16" POWER ADJUSTMENT WRENCH	5	8	11	13
		Parallel Arm		7	10	13	16
	EXTERIOR	Regular Arm Top Jamb		7	10	13	16
		Parallel Arm		9	12	15	18

1



*20 FULL (360°) TURNS MAXIMUM AVAILABLE
Closer is shipped set at mid range setting = 10 turns



The closing force is adjustable from a size 1 to a size 6, as outlined in ANSI Standard A156.4. When these series of door closers are installed and adjusted to conform to ADA reduced opening force requirements (5 lbs max.) for interior doors, they may not have adequate closing force to reliably close and latch the door. Power adjustments charted on this page are recommended where possible, to ensure proper door control.



By law the Americans with Disabilities Act (ADA) may require that door closer installation comply with accessibility guidelines.

Valve Adjustments

2

Sweep

3

Latch

4

Backcheck

Caution:
Don't completely close valve



Adjust Closing Speed Time to between 3 to 7 seconds from 90°. Use of the door by handicapped, elderly or small children may require greater closing time.

