

# 278 Series Concealed Door Closer

## Arm Models

Adjustable (Sizes 1-6)

OE, Regular

HE, Hold Open Extended



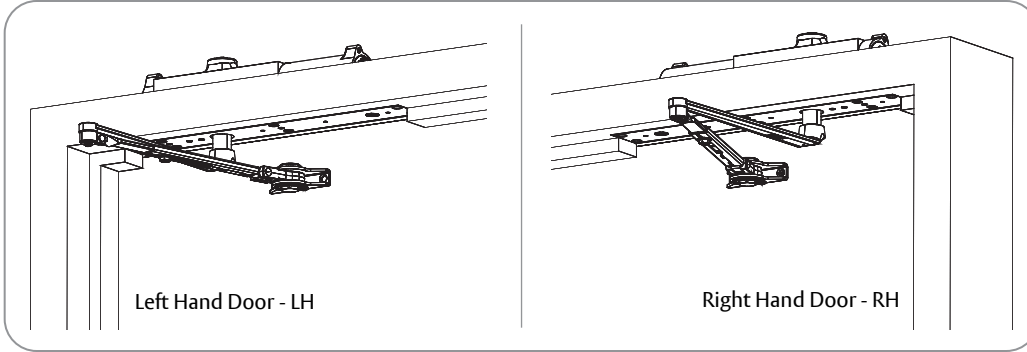
# SARGENT®

# ASSA ABLOY

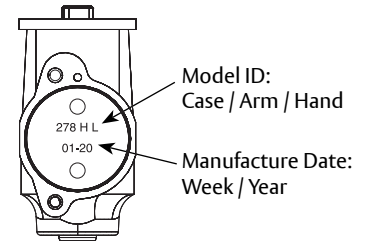
### ⚠ WARNING

This product can expose you to lead which is known to the state of California to cause cancer and birth defects or other reproductive harm. For more information go to [www.P65warnings.ca.gov](http://www.P65warnings.ca.gov).

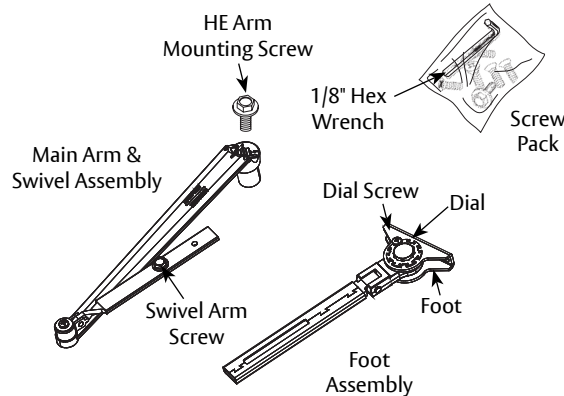
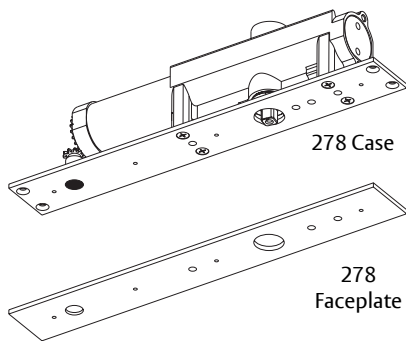
Ce produit peut vous exposer au plomb qui, dans l'état de la Californie, est reconnu pour causer le cancer, des anomalies congénitales ou d'autres problèmes de reproduction. Pour plus d'informations, visitez: [www.P65warnings.ca.gov](http://www.P65warnings.ca.gov).



### To Identify Your Closer:



### Included Components (See page 2 for mounting hardware)



### Tools Needed

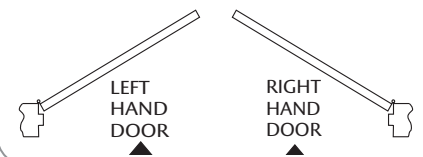


### ATTENTION:

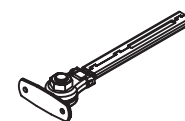
An incorrectly installed or improperly adjusted door closer can cause property damage or personal injury. These installation instructions should be followed to avoid the possibility of misapplication or misadjustment.

- ADA compliant
- Semi Concealed: Closer body concealed in frame head and closer arm attached to surface of door face.
- Removable stop required (supplied by frame manufacturer).
- Closer faceplate furnished.
- Handed - same hand as door.
- Closing force adjustable 1 thru 6.
- Suitable for interior doors up to 5' wide
- Suitable for exterior doors up to 4' wide
- Closers are factory preset for 3' door width unless specified otherwise at time of order.
- Auxiliary door stop required.
- Reinforcements required for metal doors and frames. 7 gauge for frame and 12 gauge for door recommended.
- Dimensions are given in inches (millimeters).

### To Determine Your Hand of Door:



### Legacy Friction Hold Open Arm



Note: Legacy FHO arm has installation orientation. See 80-9300-0005-000, available online.





### OE Regular or Legacy Fusible Link Arm

See template A7322, available online.

# 278 Concealed Closer

**SARGENT®**

**ASSA ABLOY**

*Mounting Hardware		Door or Frame	Drill
	<b>Case and Foot:</b> #12 x 1-1/2 Phillips Flat Head Self Drilling Tapping Screw	Wood	3/32" (2.38mm)
	<b>Case and Foot:</b> #12 x 1-1/2 Phillips Flat Head Wood Screw		
	<b>Case and Foot:</b> #12-24 x 3/4 Phillips Flat Head Machine Screw	Metal	Drill #16 (.177) Tap 12-24
	<b>Foot:</b> Mortise Nut (optional)	Hollow Metal	1/4" (6.00mm) thru 3/8" (9.50mm) door face opposite to closer
		Aluminum or Wood	3/8" (9.50mm) thru

\* Security Torx screws supplied upon request, not shown

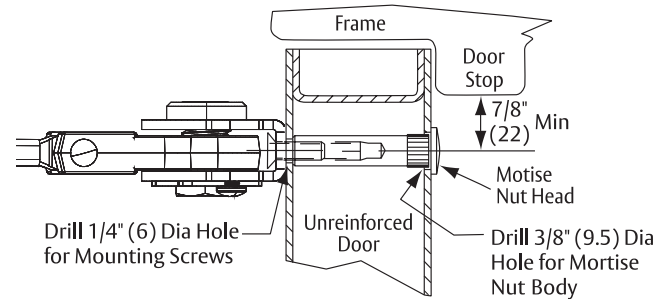
\*\* #8-32 x 1/4 Phillips Flat Head Machine screw used for Closer Faceplate or Removable Stop, not shown

## Mortise Nut and Screw Detail

Appropriate mortise nuts and screws will be supplied based on door thickness.

Door construction must provide a bridge type reinforcement to prevent the door rail from collapsing when screws are tightened.

If distance between door stop and center of mortise nut head is less than 7/8" (22mm), stop must be cut to clear head or head must be recessed.



## Closer Adjustments

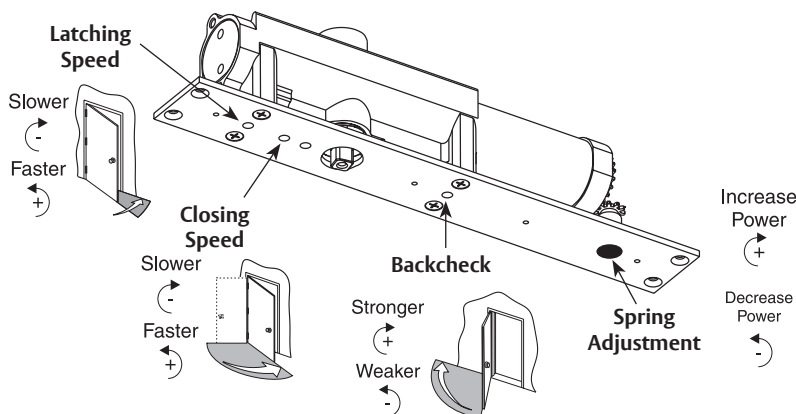



Use provided hex wrench to turn valves.  
NEVER force valves out of closer.  
NEVER completely close backcheck valve.  
NEVER use backcheck as a door stop.

Door must be open (only a few inches) to adjust spring closing power. Use 3/16" hex wrench to turn screw. **Do not use a power drill. Warranty will be void.**



If interior doors do not have to comply with ADA requirements, exterior door settings are recommended. Where strong drafts exist, increase spring power as needed by turning spring adjustment screw clockwise. If necessary, reduce spring power by turning spring screw counter clockwise.



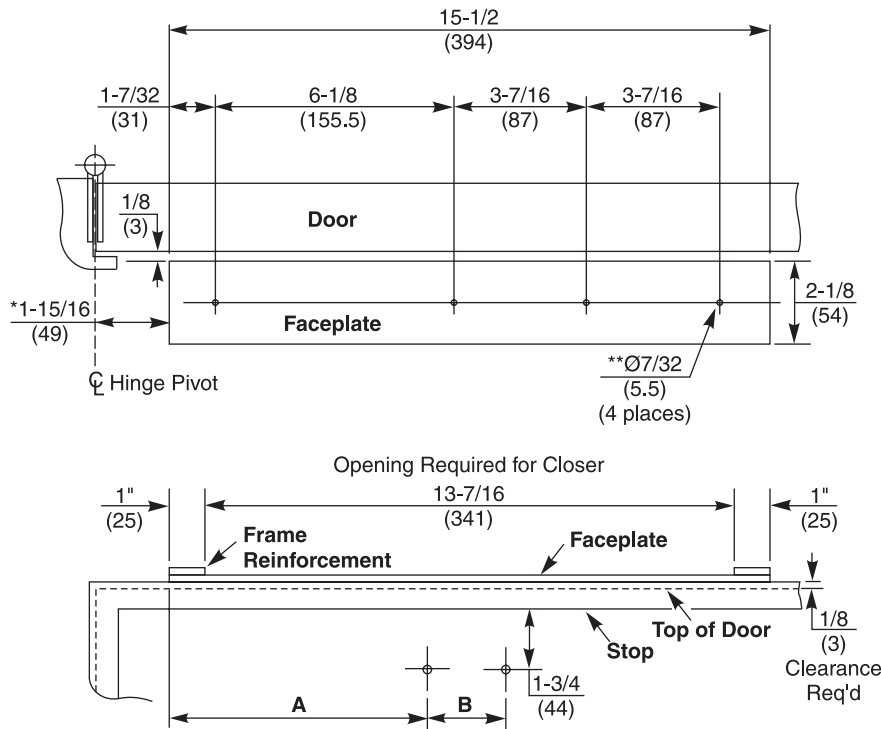
Number of Spring Power Nut Turns From Factory Setting (Use as Guide ONLY)		
Door Width	Exterior	Interior 
24"	Factory Set	1-5 CCW
30"	1-5 CW	
32"		
36"	5-8 CW	Factory Set
40"		
42"	8-13 CW	1-5 CW
44"		
46"	13-15 CW	5 CW & up
48"		
over 48"	up to 18 CW	

# 278 Concealed Closer Installation (Left Hand Shown)

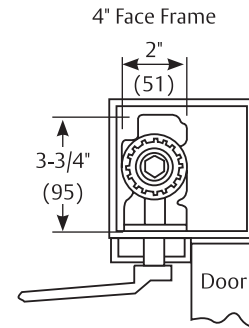
**SARGENT**

**ASSA ABLOY**

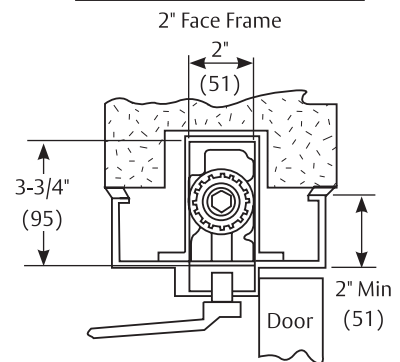
## 1. Prepare door and frame.



### Single Rabbeted Frame



### Double Rabbeted Frame

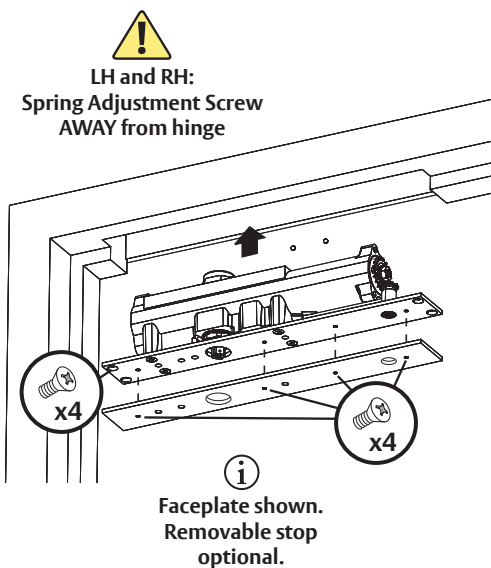


Arm Type	Dim A	Dim B	Max Door Opening	Degree of Hold Open or Stop
HE	7-7/16" (189)	2-1/2" (63.5)	180°	80° - 180°
OE	6-3/4" (171)	2" (51)	180°	-

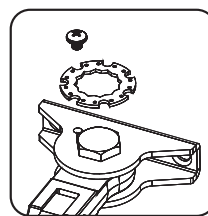
#### NOTES:

- \* Dimension is taken from hinge edge of door. Butt, offset, center hung, swing clear and invisible.
- \*\*Holes in faceplate to attach removable stop if required. Stop thickness 5/8" (16) max.
- Use screws provided or use mortise nuts when required. See chart on page 2.
- See Data Sheet A7322 for more template details.

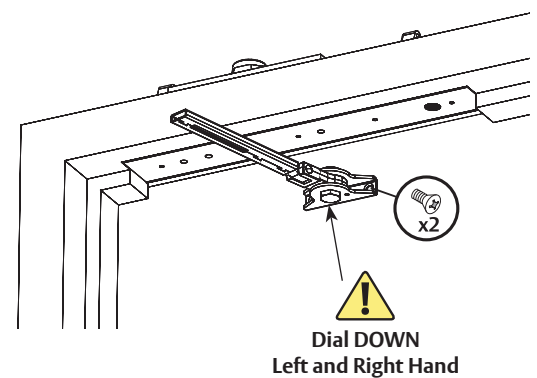
## 2. Mount case inside prepared frame.



## 3a. Remove dial from foot.

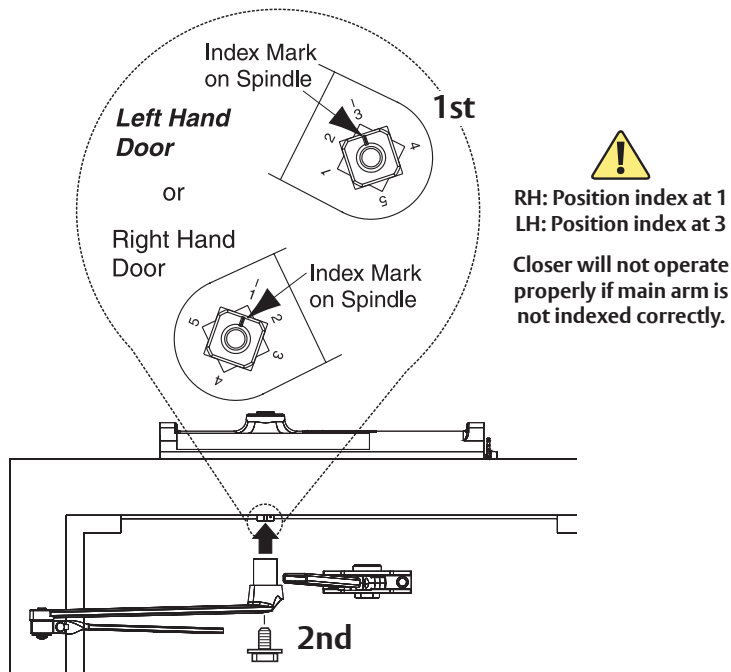


## 3b. Install foot assembly to door.

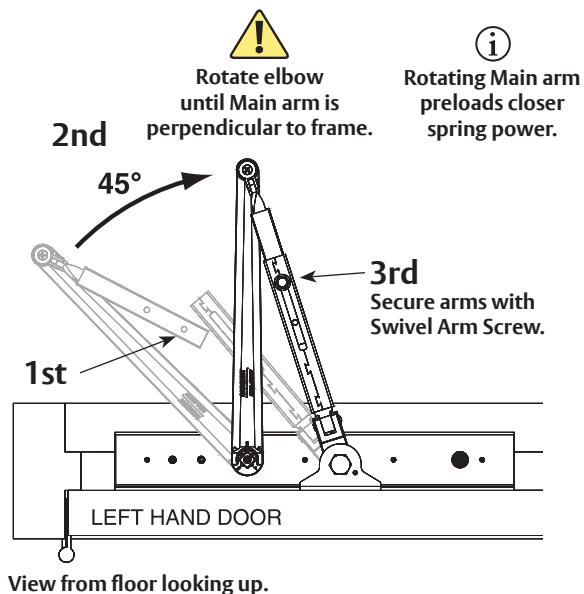


The ASSA ABLOY Group is the global leader in access solutions. Every day we help people feel safe, secure and experience a more open world.

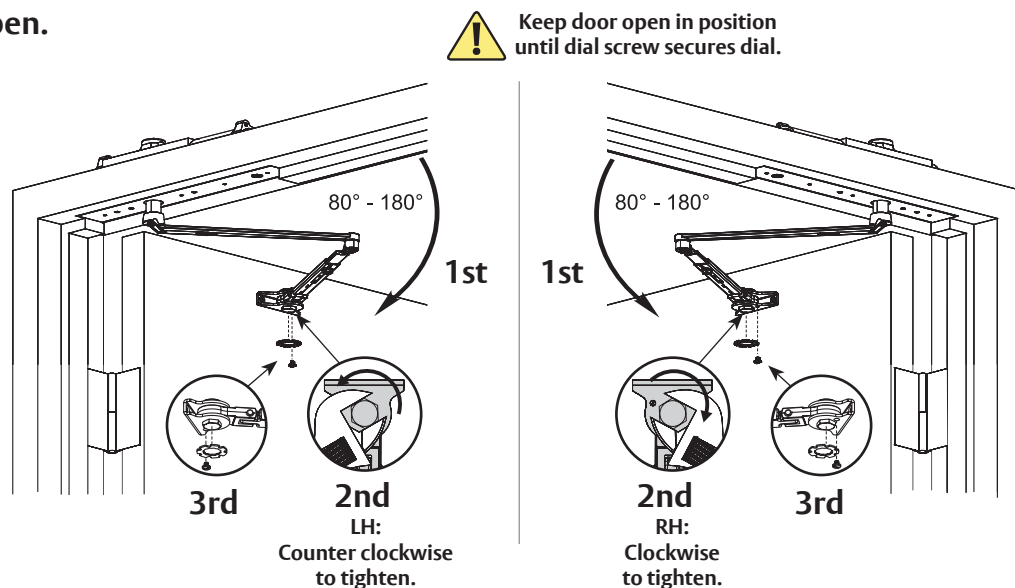
**4. Attach Main arm as shown.**



**5. Connect arms, preload spring and tighten screw.**



**6. Set Hold Open.**



You've now installed the **278 Concealed Closer**.  
● Go to page 2 for closer adjustments.

SARGENT Manufacturing Company  
100 Sargent Drive  
New Haven, CT 06511 USA  
800-727-5477  
www.sargentlock.com

Copyright © 2009, 2019, Sargent Manufacturing Company, an ASSA ABLOY Group company. All rights reserved. Reproduction in whole or in part without the express written permission of Sargent Manufacturing Company is prohibited.

Patent pending and/or patent: www.assaabloydss.com/patents

Approved 2020-01-21

A7321D