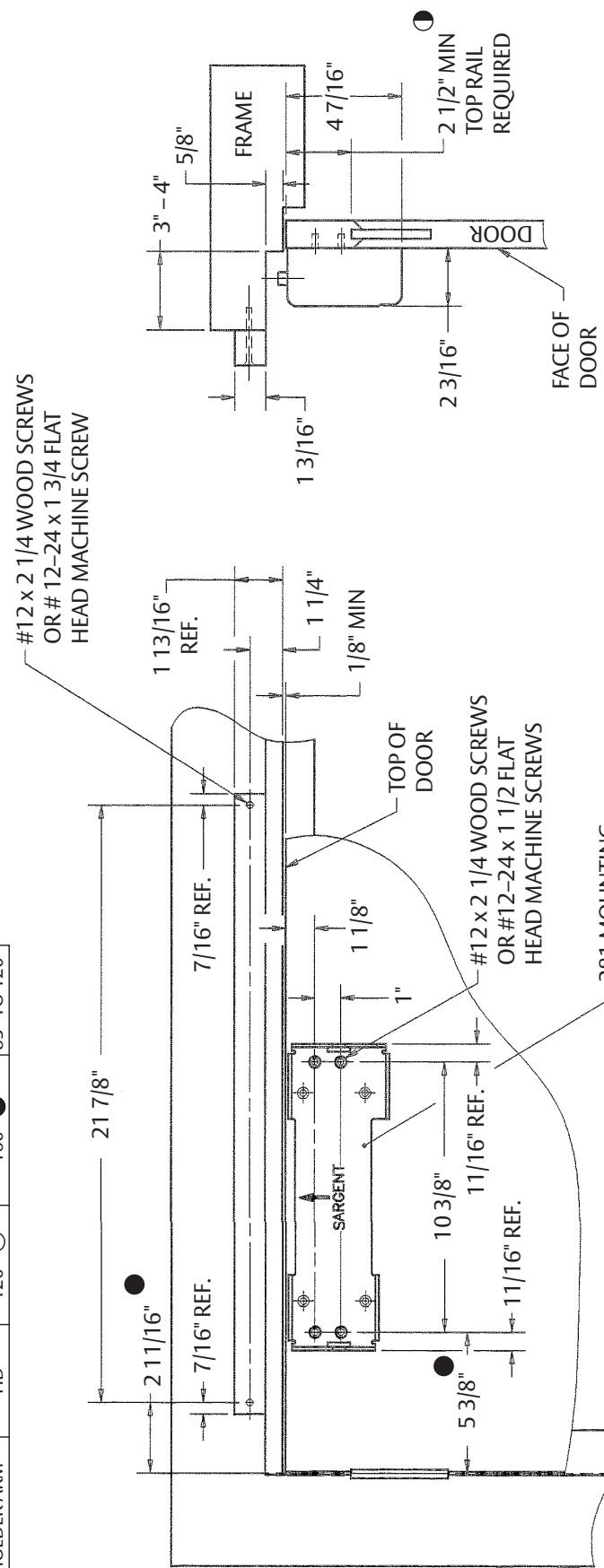


DESCRIPTION	ARM TYPE	MAXIMUM DOOR OPENING		RANGE OF HOLD OPEN
		WITH BUMPER	WITHOUT BUMPER	
REGULAR ARM	OD	120°	160°	160°
HOLDER ARM	HD	120°	160°	85° TO 120°



MOUNT CLOSER BODY WITH SPRING ADJUST FACING AWAY FROM HINGE.

HINGE PIVOT (BUTTS, OFFSET PIVOTS, INVISIBLE HINGES).

NOTES:

1. RIGHT HAND DOOR SHOWN, LEFT HAND DOOR OPPOSIT.
2. 12 GAGE MIN. REINFORCEMENT REQUIRED FOR METAL DOORS AND FRAMES.
3. THIS DIMENSION IS TAKEN FROM HINGE EDGE OF DOOR FOR INVISIBLE HINGES.
4. TO OPEN DOOR 120° REMOVE BUMPER STOP.
5. IF DOOR AND FRAME CONDITION PERMIT.
6. SPACE REQUIRED TO MOUNT CLOSER ON RAIL. IF SPACE IS LESS THAN SHOWN USE DATA SHEET A7244 FOR DETAILS.

Copyright © 2011, Sargent Manufacturing Company, an ASSA ABLOY Group company. All rights reserved. Reproduction in whole or in part without the express written permission of Sargent Manufacturing Company is prohibited.

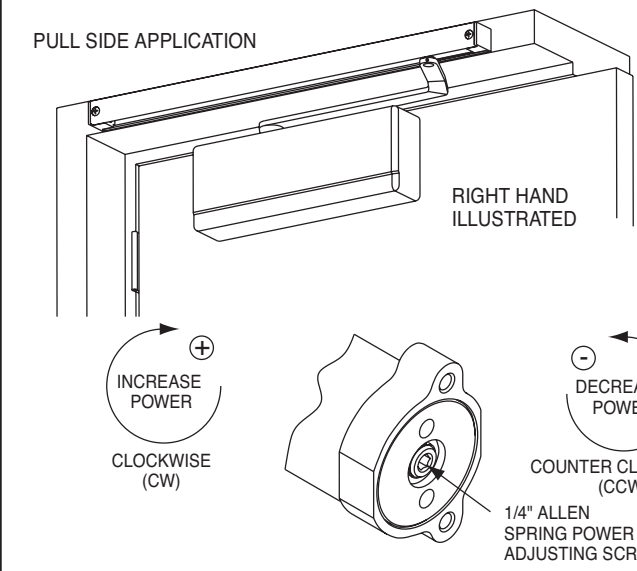
DATA SHEET: 281 SERIES
TRACK TYPE APPLICATION
DOUBLE EGRESS APMS (OD/HD)

RELEASE DATE: JULY 2014
TEMPLATE NO.: A7420B

INSTALLATION INSTRUCTIONS
281 DOOR CLOSERS WITH OD, ODB, HD, HDB ARMS

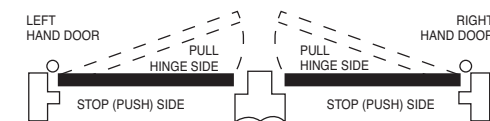
281 NON-SIZED ADJUSTABLE FROM SIZE 2 THRU 5

CAUTION: FAILURE TO INSTALL OR ADJUST PROPERLY MAY RESULT IN INJURY OR DAMAGE.
FOR INSTALLATION ASSISTANCE CALL SARGENT AT 1-800-727-5477 • www.sargentlock.com



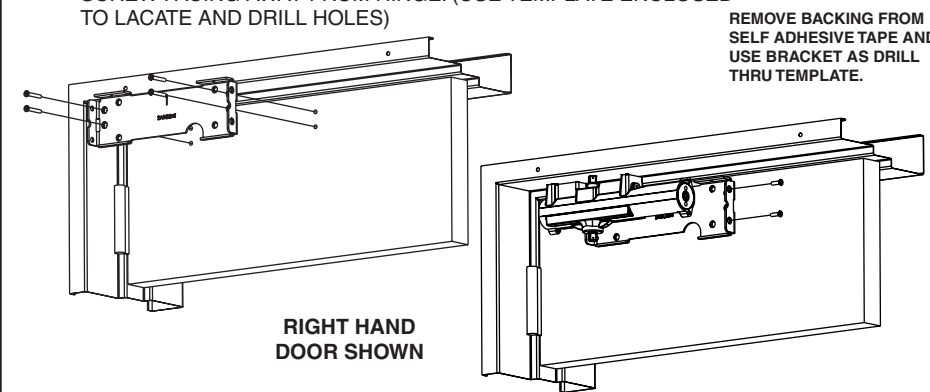
DOOR WIDTH (INCHES)	APPROXIMATE DOOR WEIGHT (POUNDS)	NUMBER OF TURNS OF SPRING ADJUSTING NUT
24	80	1-5 CCW
30	110	FACTORY SET
32	115	
36	130	
40	150	1-5 CW
42	155	
44	165	7-12 CW
46	170	
48	180	

WHERE STRONG DRAFTS EXIST, INCREASE SPRING POWER AS NEEDED BY TURNING SPRING ADJUSTMENT SCREW CLOCKWISE. IF NECESSARY, REDUCE SPRING POWER BY TURNING SCREW COUNTERCLOCKWISE.

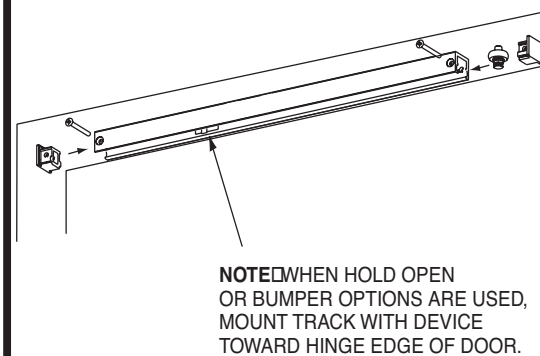


A USE DIMENSION SHOWN ON DATA SHEET A7420 ON PAGE 4 TO LOCATE AND PREPARE FOR MOUNTING SCREWS.

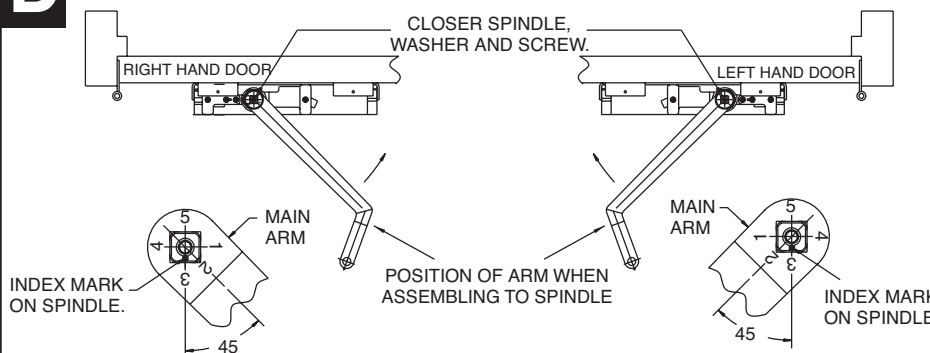
B INSTALL MOUNTING BRACKET WITH ARROW POINTING UP FOR BOTH RH & LH DOORS. INSTALL CLOSER WITH SPRING ADJUST SCREW FACING AWAY FROM HINGE. (USE TEMPLATE ENCLOSED TO LOCATE AND DRILL HOLES)



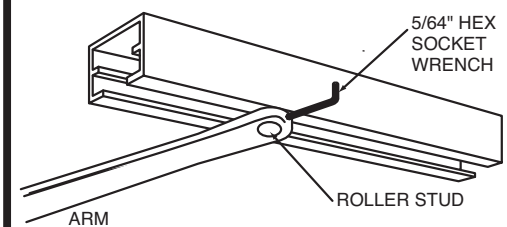
C INSERT ROLLER AND END CAPS INTO TRACK AND ATTACH TRACK TO FRAME.



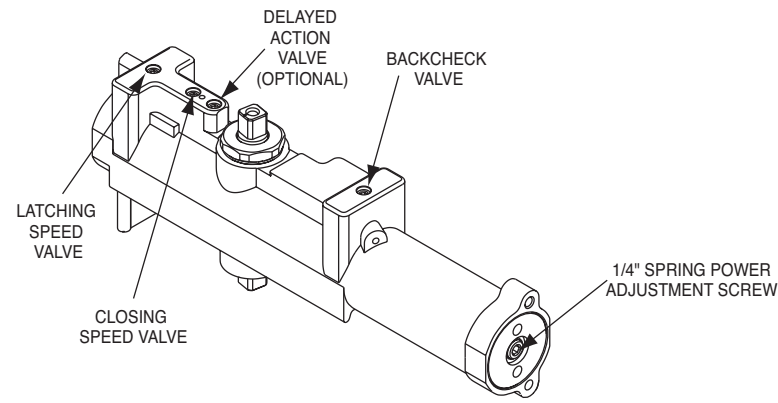
D ASSEMBLE ARM TO CLOSER WITH INDEX MARK ON END OF SPINDLE 45 FROM AXIS OF ARM AS ILLUSTRATED BELOW. USE WASHER AND SCREW TO RETAIN ARM.



E CONNECT ARM TO ROLLER STUD USING WRENCH, BACK OUT ARM SET SCREW, OPEN DOOR 45 AND FIT ARM ON TO ROLLER STUD. TIGHTEN SET SCREW SECURELY.



FINAL ADJUSTMENT AND REGULATING PROCEDURE



A REGULATING DOOR SPEED AND LATCHING SPEED AS NEEDED.

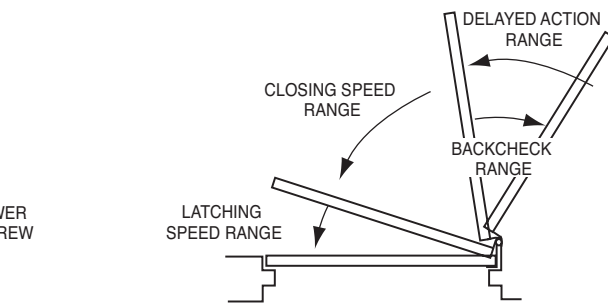
USE HEX SOCKET (1/8" ALLEN) WRENCH AND TURN VALVES CLOCKWISE TO SLOW DOWN OR COUNTER CLOCKWISE TO SPEED UP DOOR MOVEMENT.



C FOR MODELS WITH OPTIONAL DELAYED ACTION FEATURE

"DELAYED ACTION" PROVIDES SLOW DOOR CLOSING THROUGH DELAYED ACTION RANGE.

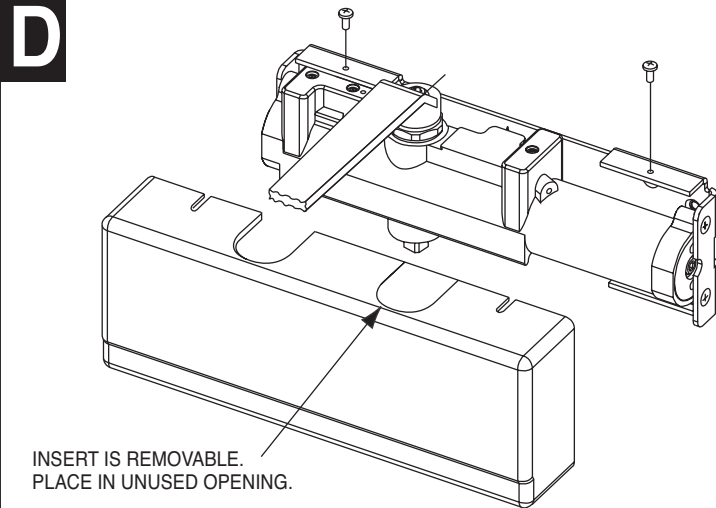
TURN VALVE CLOCKWISE TO SLOW DOWN OR COUNTER CLOCKWISE TO SPEED UP DOOR MOVEMENT.



B REGULATING BACKCHECK

TO REGULATE THE INTENSITY OF BACKCHECK ACTION TURN VALVE CLOCKWISE TO INCREASE OR COUNTER CLOCKWISE TO DECREASE CHECKING.

CAUTION: SET VALVE FOR SLIGHT CUSHIONING EFFECT. IT IS DAMAGING TO THE CLOSER IF THE CHECKING ACTION IS TOO ABRUPT. NEVER USE BACKCHECK AS A DOOR STOP. **ALWAYS USE A DOOR STOP TO STOP THE DOOR.**

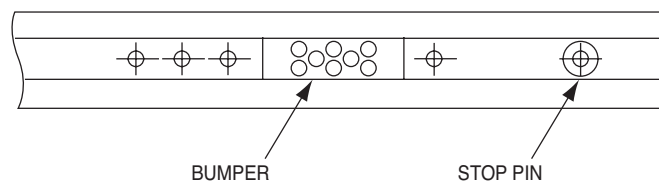


OPTIONS

BUMPER ASSISTS BACKCHECK IN CUSHIONING THE OPENING FOR DOOR. IT IS NOT INTENDED TO REPLACE AN AUXILIARY DOOR STOP.

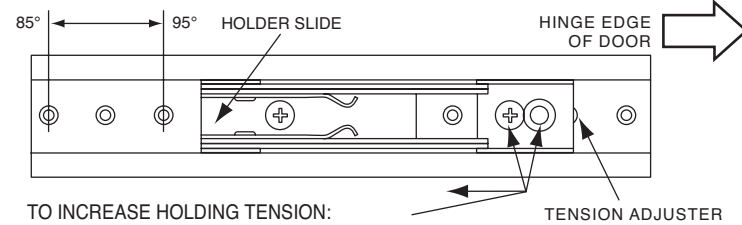
TO CHANGE BUMPER STOP LOCATION—REMOVE MOUNTING SCREW AND RELOCATE BUMPER STOP AT DESIRED POSITION.

NOTE: REMOVE STOP PIN TO INCREASE DEGREE OF DOOR OPENING.



FOR MODELS HAVING HOLDER ARMS

THE HOLDER DEVICE IS SET FOR 95° DOOR HOLDING POSITION AT THE FACTORY AND THE HOLDER TENSION IS SET AT THE LIGHTEST OF THE THREE SETTINGS.

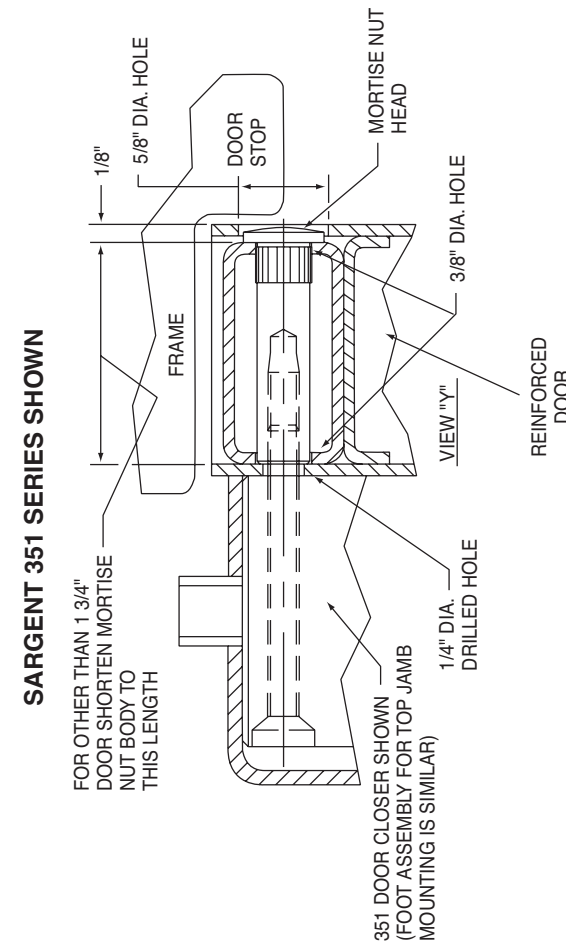


TO INCREASE HOLDING TENSION: REMOVE MOUNTING SCREW AND MOVE TENSION ADJUSTER TOWARD HOLDER SLIDE BY USING EITHER OF THE TWO HOLE LOCATIONS. THREE POSITIONS OF TENSION ARE POSSIBLE.

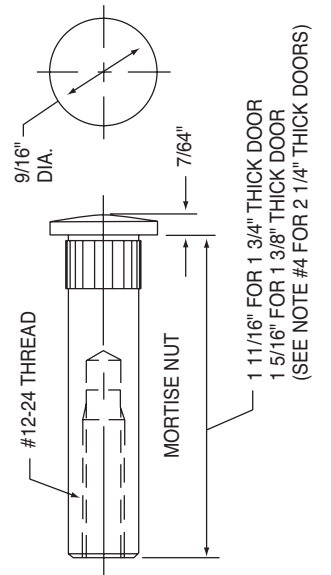
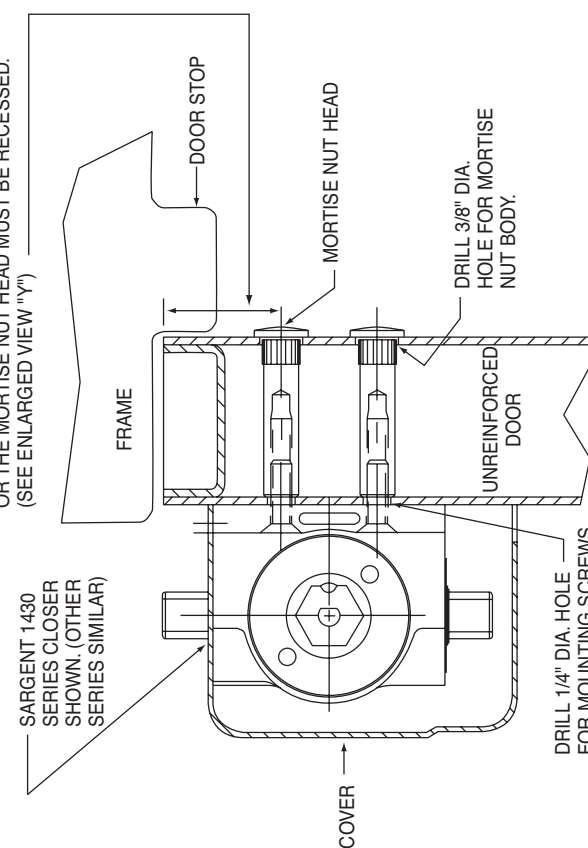
SARGENT
ASSA ABLOY

ASSA ABLOY, the global leader
in door opening solutions

USING MORTISE NUTS WITH SARGENT DOOR CLOSER



SEE NOTE #1 BELOW FOR DIMENSION INFORMATION. IF A DIMENSION LESS THAN 7/8" IS USED, THE DOOR STOP MUST BE CUT TO CLEAR THE MORTISE NUT HEAD OR THE MORTISE NUT HEAD MUST BE RECESSED. (SEE ENLARGED VIEW "Y")



1. SEE INSTRUCTIONS OR DATA SHEET PACKED WITH DOOR CLOSER FOR DIMENSIONS LOCATING THE CLOSER BODY AND FOOT ON DOOR AND FRAME.

2. MORTISE NUT SHOWN IS DESIGNED FOR AN UNREINFORCED METAL DOOR.

3. FOR TOP JAMB AND CORNER BRACKET APPLICATIONS: THE DOOR CLOSER FOOT WILL BE ATTACHED TO THE DOOR IN A MANNER SIMILAR TO THAT SHOWN FOR MOUNTING THE CLOSER BODY.

4. FOR DOORS 2 1/4" THICK: MORTISE NUT SHOWN FOR 1 3/4" THICK DOORS WILL BE FURNISHED ALONG WITH APPROPRIATE LENGTH THRU-BOLTS. DOOR CONSTRUCTION MUST PROVIDE A BRIDGE TYPE REINFORCEMENT TO PREVENT THE DOOR RAIL FROM COLLAPSING WHEN THRU-BOLTS ARE TIGHTENED.

SARGENT
ASSA ABLOY

ASSA ABLOY, the global leader
in door opening solutions

Copyright © 2011, 2014, SARGENT Manufacturing Company, an ASSA ABLOY Group company. All rights reserved. Reproduction in whole or in part without the express written permission of SARGENT Manufacturing Company is prohibited.