

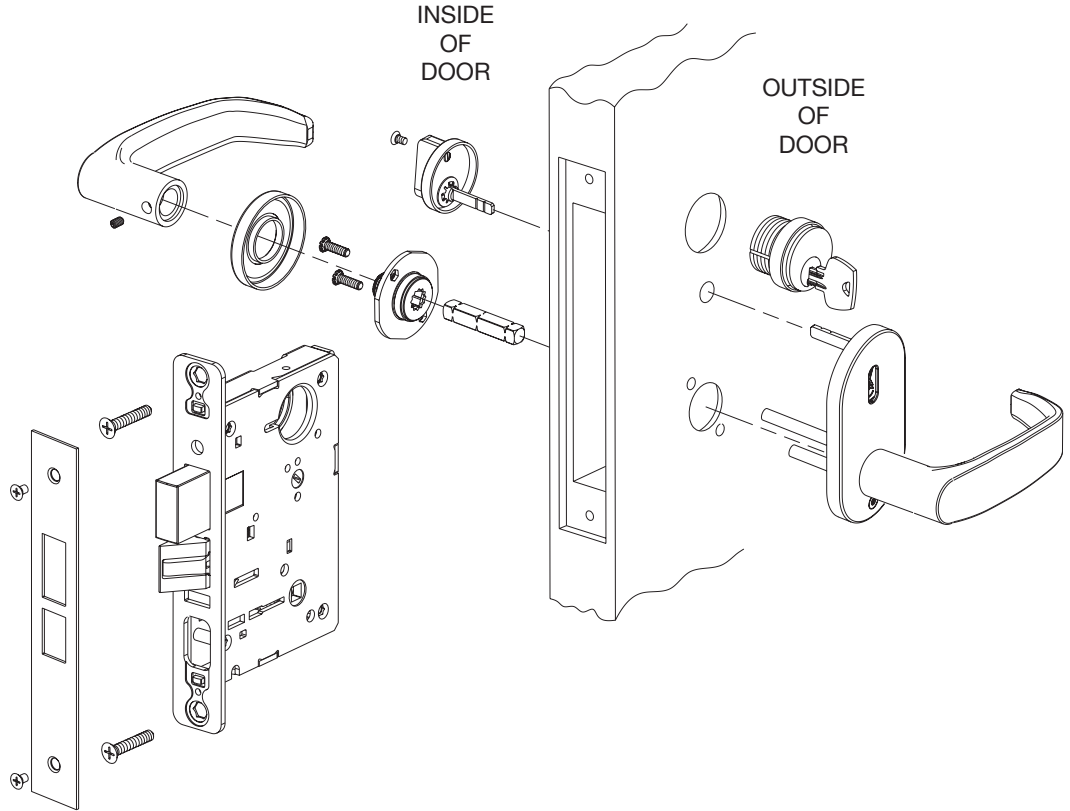
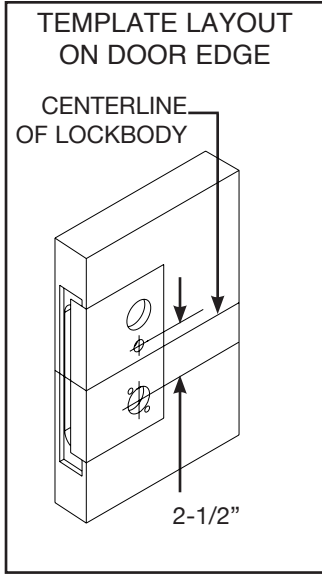
Installation Instructions for 7800/8200 Mortise Lock

50- Prefix/185S Kit Secured Indicator Rose

FOR INSTALLATION ASSISTANCE CALL SARGENT AT 1-800-727-5477 / www.sargentlock.com

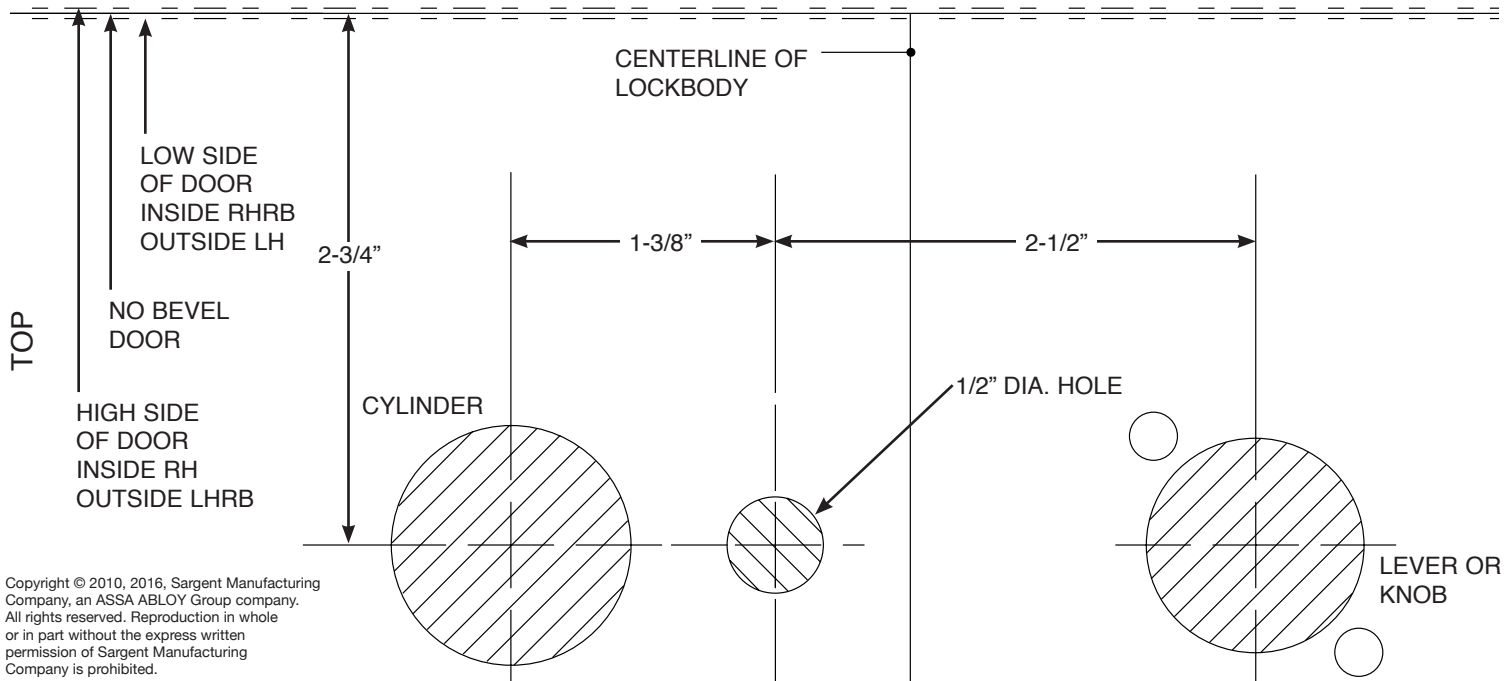
Patent pending and/or patent www.assaabloydss.com/patents

ASSA ABLOY, the global leader in door opening solutions



PATENT PENDING

FOLD HERE ACCORDING TO DOOR HAND AND BEVEL



Installation Instructions for 7800/8200 Mortise Lock

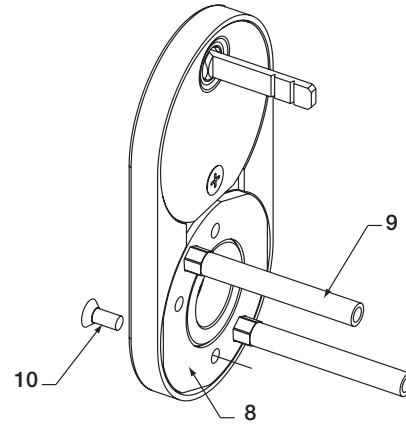
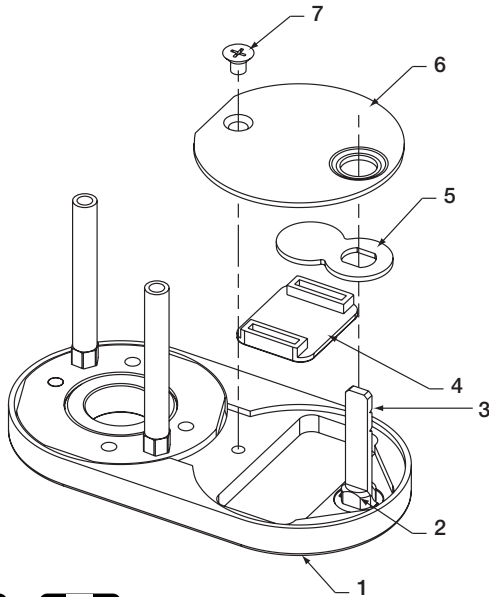
50- Prefix/185S Kit Secured Indicator Rose

SARGENT
ASSA ABLOY

FOR INSTALLATION ASSISTANCE CALL SARGENT AT 1-800-727-5477 / www.sargentlock.com

Patent pending and/or patent www.assaabloydss.com/patents

ASSA ABLOY, the global leader in door opening solutions



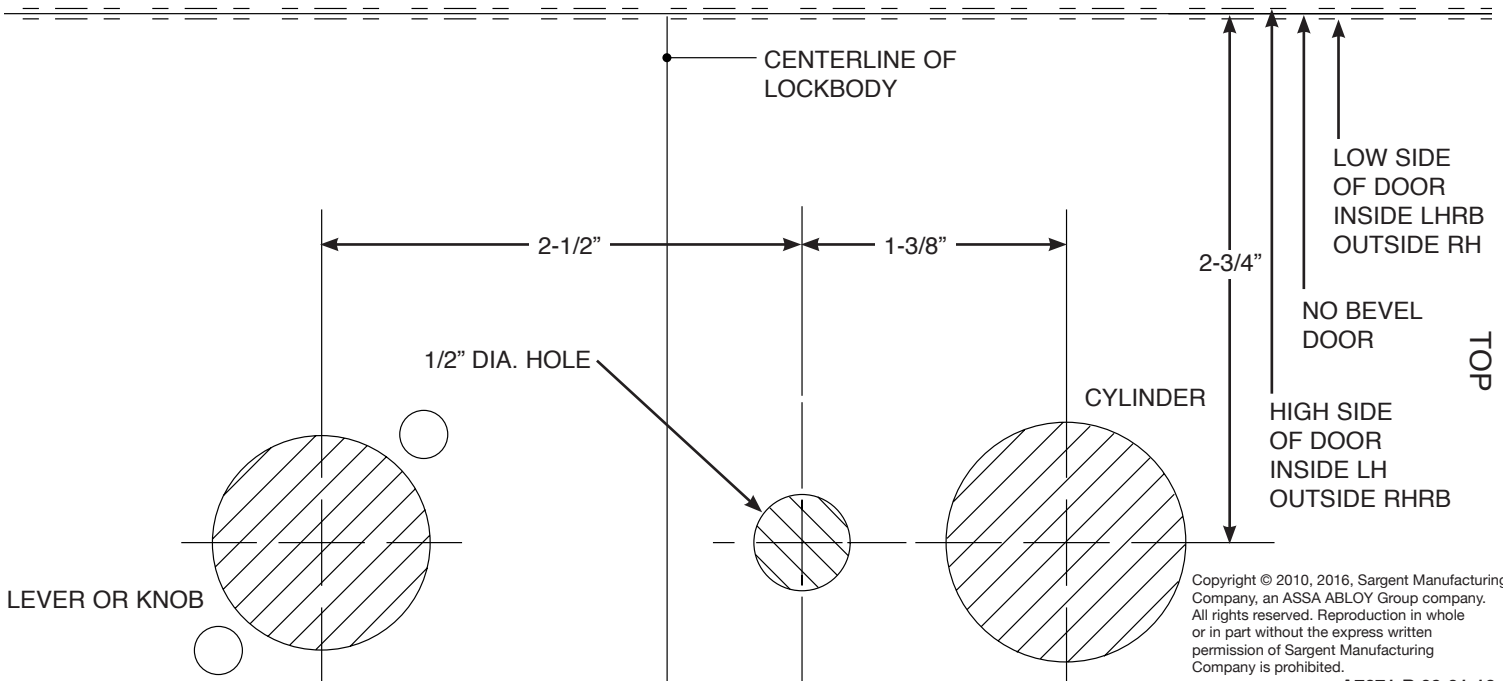
82-4051 82-4050

INSTRUCTIONS FOR CHANGING INDICATOR SLIDES

1. REMOVE PHILIPS SCREW.
2. REMOVE BACK PLATE, HUB PLATE AND SLIDE.
3. REPLACE WITH ALTERNATE SLIDE.
NOTE: CHECK FOR PROPER ORIENTATION OF VAC/OCC SLIDE TEXT.
4. REASSEMBLE HUB PLATE AND BACK PLATE, SECURE WITH PHILIPS SCREW.

Item	Description	Qty.	Part Number
1	Indicator Housing	1	82-0604
2	Spindle Hub	1	82-0605
3	Spindle	1	77-1195
4	Red/White Slide	1	82-4050
	VAC/OCC Slide	1	82-4051
5	Hub Plate	1	82-0590
6	Back Plate	1	82-0606
7	#6-32 x 3/16" MS	1	01-4553
8	Mounting Adapter	1	91-2151
9	Mounting Post, 185S-1, 1-3/8" Door	2	81-0017
	Mounting Post, 185S-2, 1-3/4" Door	2	81-0723
	Mounting Post, 185S-3, 2" Door	2	92-0069
	Mounting Post, 185S-4, 2-1/4" Door	2	82-0539
10	TORX Screw	1	01-1421

FOLD HERE ACCORDING TO DOOR HAND AND BEVEL



Copyright © 2010, 2016, Sargent Manufacturing Company, an ASSA ABLOY Group company. All rights reserved. Reproduction in whole or in part without the express written permission of Sargent Manufacturing Company is prohibited.

A7671:B 09-01-16