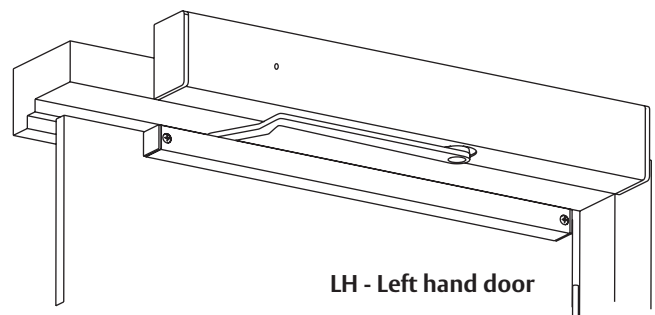
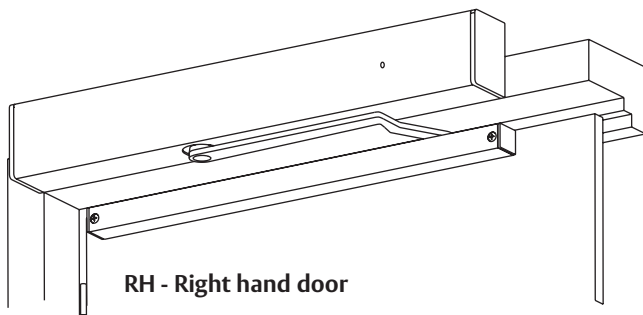
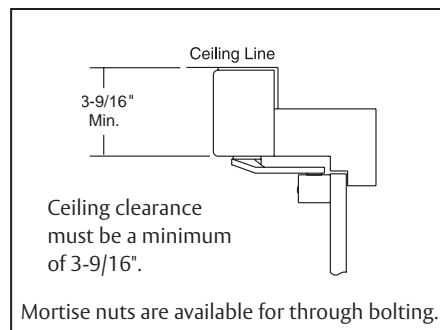


2900 FIREGUARD® Electromechanical Closer-Holder 2970 Multipoint Hold Open with Double Egress Arm Pull (Hinge) Side



NOTE: Devices are handed and must be the same hand as door.



⚠ WARNING

This product can expose you to lead which is known to the state of California to cause cancer and birth defects or other reproductive harm. For more information go to www.P65warnings.ca.gov.

INSTALLER: LEAVE INSTRUCTIONS FOR BUILDING OWNER

Installation Instructions

TOC	Table of Contents
1	Install Body and Backplate Assembly..... 2
2	Install Arm and Track 3
3	Final Adjustment and Regulating Procedures 4
4	Typical Wiring..... 5
5	Optional 80- Prefix Bypass Hold Open Switch..... 6
6	Template..... 7

1 Install Body and Backplate Assembly

1. Use dimensions shown on template provided to prepare holes.

For concealed wire applications:

Locate and drill 1-1/8" diameter hole in the frame face for 3/4" conduit. (This is normally done at the time the frame is being installed.) Connect conduit to backplate before fastening backplate to frame. (Figure 1)

For surface wire units:

Use conduit bracket attached to backplate. (Figure 2)

2. Attach backplate/closer assembly to frame. Position backplate end with terminal strip AWAY from hinge of frame. (Figure 1)
3. Make electrical connections as described in Typical Wiring section.
4. Make input power connections to power supply board as directed in Typical Wiring section.

NOTE: If electrical connections are to be made at a later date, place cover on chassis now to prevent its loss.

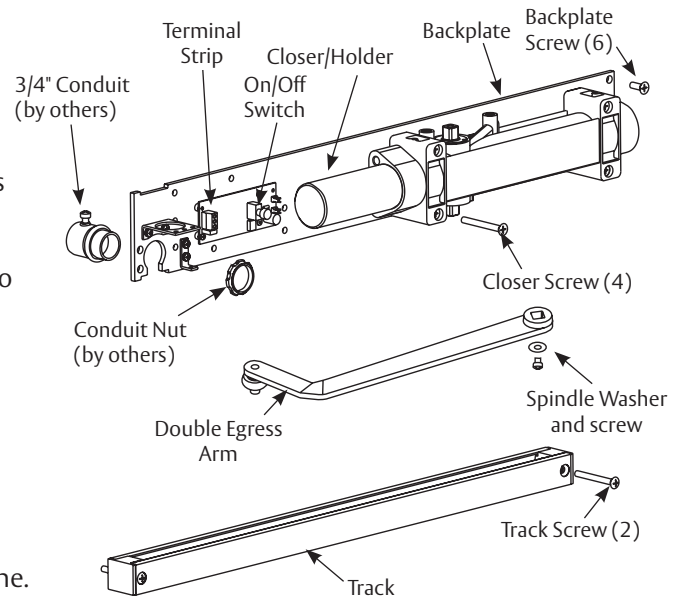


Figure 1

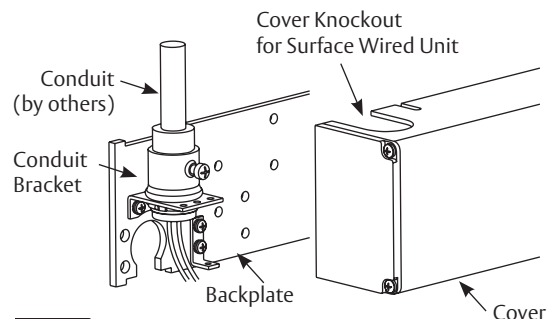


Figure 2

Installation Instructions

2

Install Arm and Track

1. With appropriate size wrench, rotate closer top spindle parallel to door. (Figure 3)

NOTE: Closing both valves for door speed and latching speed makes this procedure much easier.

2. Position closer arm on bottom spindle with arm length AWAY from hinge and oriented as shown.
3. Secure arm with screw and washer.

4. Remove end cap from track.
5. Position track with open side up.
6. Insert roller end of closer arm in sliding groove of track.
7. With arm engaged in slide groove, slide track into position so that prepared holes on door align with track holes.
8. Replace end cap and secure track to door.

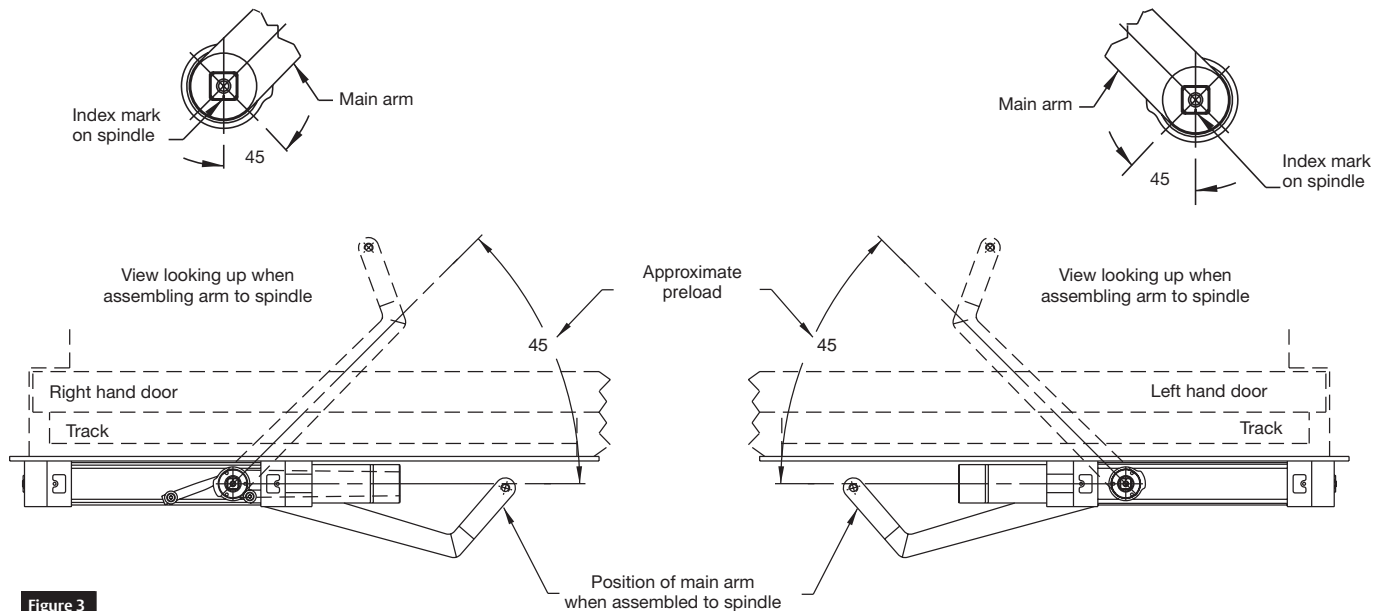


Figure 3

Installation Instructions

3

Final Adjustment and Regulating Procedures

Adjust Spring Power According to Chart (Figure 4)

Turn spring adjustment nut clockwise the required number of turns to match door width as indicated in chart.

NOTE:

- Where strong drafts exist, increase spring power as needed.
- 351 Style door closers normally leave the factory with spring adjustment set at eight (8) turns.

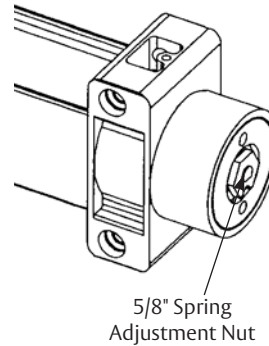


Figure 4

Maximum Width of Door Interior Only	Clockwise Turns of Adjusting Nut
2' 8"	8
3' 0"	8
3' 6"	12
4' 0"	16

Max adjustment is approx 20 turns. Do not forcibly extend adjustment beyond limits.

Adjustment Instructions (Figure 5)

Minimum recommended door closing time is 6 seconds for doors opened to 90 degrees.

Using 1/8" hex wrench, turn valve screw clockwise to slow down or counter clockwise to speed up door movement.

Turn backcheck valve clockwise to increase intensity of backcheck action or counter clockwise to decrease checking (as desired).

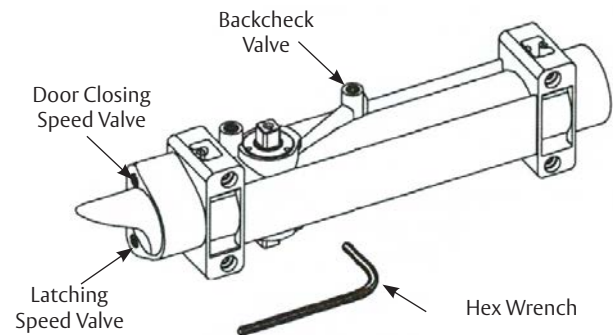
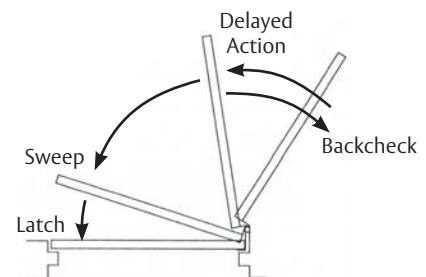


Figure 5



CAUTION: Set backcheck valve for a slight cushioning effect. It is damaging to the closer if the checking action is too abrupt. Backcheck should never be used as a door stop. Always use a door stop to stop the door.



Install Cover (Figure 6)

1. Assemble three (3) short cover screws (#8-32 x 5/16") into bottom of closer body cover mounting bracket approximately one (1) turn.
2. Slide cover onto backplate and closer assembly. Secure with three (3) cover screws.



CAUTION: Avoid interference with electronics and wires during installation of cover.

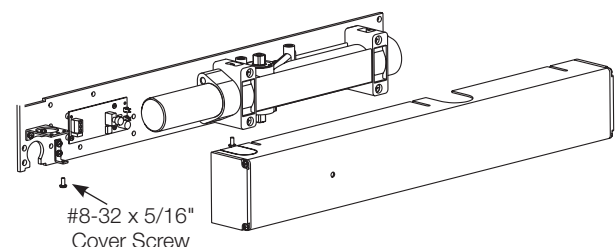


Figure 6

Installation Instructions

4

Typical Wiring



CAUTION

1. Disconnect all power before beginning installation to prevent electrical shock and equipment damage.
2. Installer must be a trained, experienced service person.
3. All wiring must comply with applicable local electrical codes, ordinances and regulations.
4. Maximum wire size is 18AWG.

2970 Stand-Alone Units (Figure 7)

1. Wire stand alone unit to appropriate power supply and fire alarm.
2. Refer to data sticker for proper input voltage and current specifications.
3. Energize power supply.
4. Open door to hold-open point. Door should hold open.
5. Depress on/off switch. Door should close and latch.
6. Adjustment of spring power may be necessary to ensure proper latching. See Final Adjustment and Regulating Procedures section.



***WARNING: Input power supply must match circuit board voltage rating, either 24VAC/DC or 120VAC. (Refer to data sticker)**

3. Energize power supply.
4. Open door to hold-open point. Door should hold open.
5. Depress on/off switch again. Open door to hold open position; door will hold open.

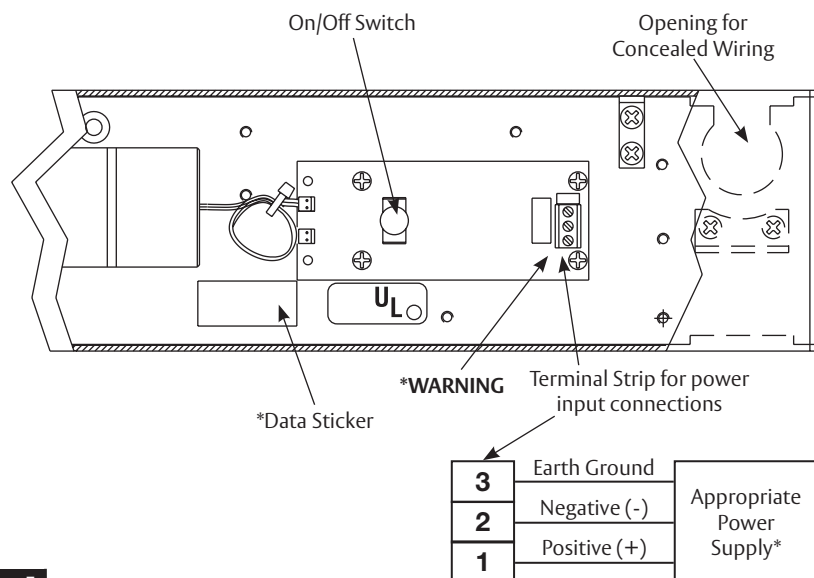


Figure 7

Installation Instructions

5

Optional 80- Prefix Bypass Hold Open Switch for 2960, 2970 & 2990 FIREGUARD®

General Information

The 80 prefix switch allows initial hold open point to be adjustable from 20 degrees through full door opening. This adjustment is done using a cam on spindle opposite from where arm mounts.

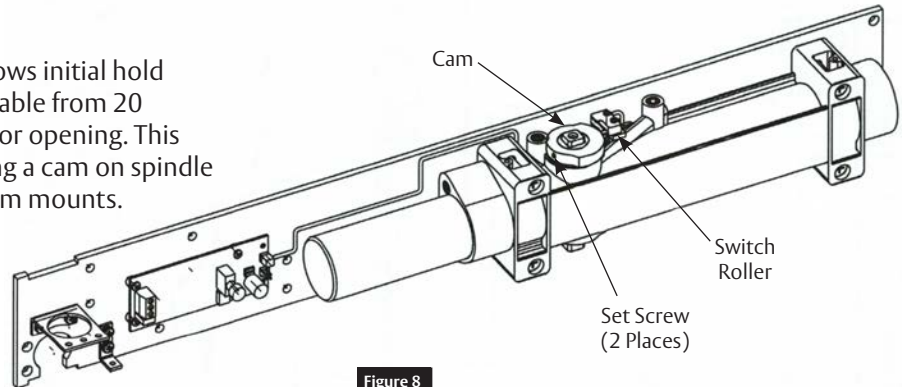


Figure 8

Adjustment Instructions



IMPORTANT

- CAUTION: Disconnect all input power beginning installation to prevent electrical shock and equipment damage.**
- Installer must be a trained, experienced service person.**
- All wiring must comply with applicable local electrical codes, ordinances and regulations.**

INSTALLATION

- Mount closer/holder per instruction sheet provided.
- Locate switch roller and cam and loosen both set screws in cam. (Figure 8)
- Open door to desired holding position and hold open with door stop. Rotate cam until switch roller is on lower section of cam and approximately 1/32" from bottom of incline. (Figure 9) Cam should be positioned so when door closes, roller on switch will ride up incline of cam operating the switch. Tighten on set screw in cam with hex key and pull door closed.
- Pull door open to desired hold open position. When switch roller travels down to bottom of incline, door closer will function as a standard multi-point holder. (Figure 10) Depending on door size and closer fall back, cam may need to be adjusted so that switch roller is positioned further from base of incline. When cam is positioned properly for desired door operation, tighten both set screws firmly.

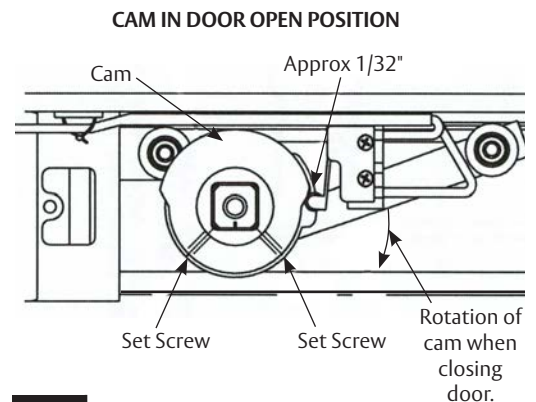


Figure 9

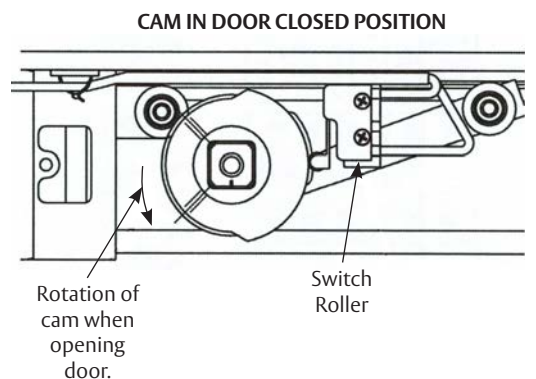


Figure 10

2900 FIREGUARD® Electromechanical Closer-Holder

2970 Hold-Open Double Egress Arm/Pull (Hinge) Side Mounting

Installation Instructions

SARGENT

ASSA ABLOY

6

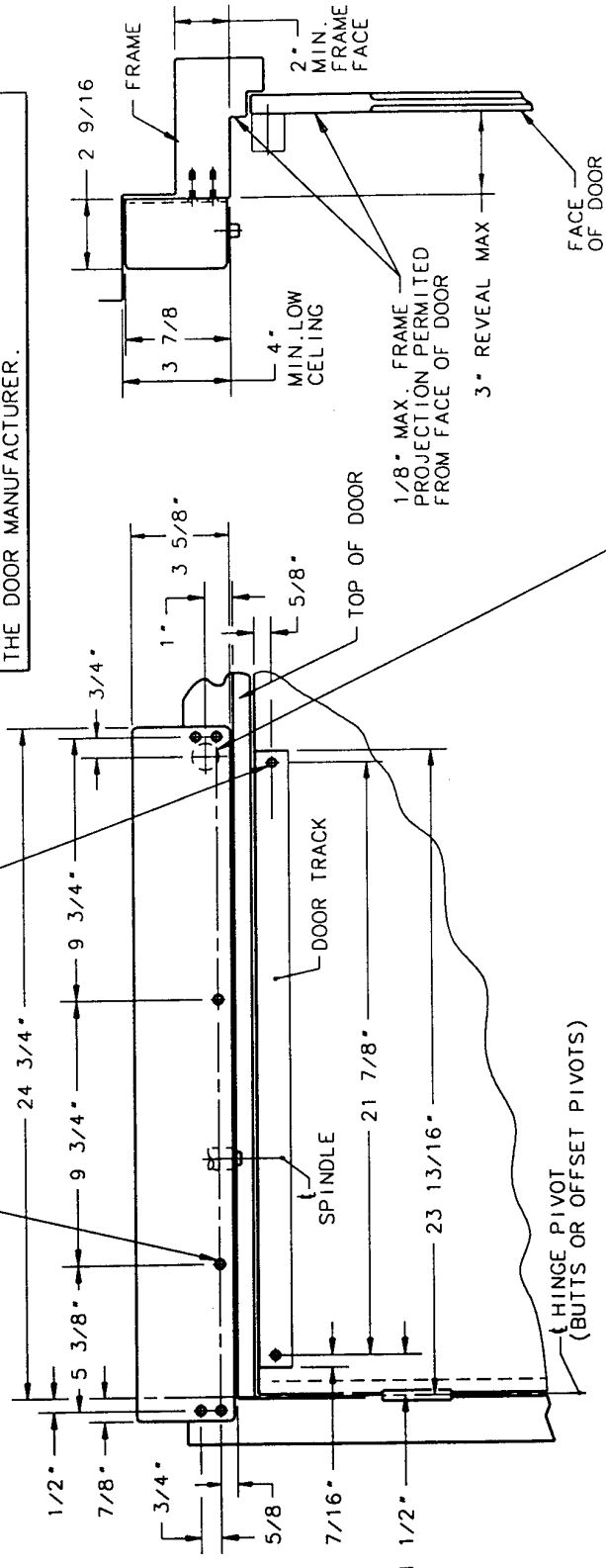
Template

DESCRIPTION	MODEL No.	MAXIMUM DOOR OPENING	RANGE OF HOLD OPEN	REMARKS
MULTI-POINT HOLD-OPEN CLOSER-HOLDER FIREGUARD	2970 9-2970 12-2970	180°	10° TO 170°	TRACK ARM DOUBLE EGRESS

IMPORTANT - IF MORTISE NUTS ARE USED TO MOUNT THE DOOR TRACK THE TWO MORTISE NUT HEADS MUST BE RECESSED FLUSH WITH THE DOOR SURFACE. THIS WILL PREVENT AN INTERFERENCE AT THE "STOP" WHEN THE DOOR IS CLOSED. FOR METAL DOORS THE RECESS PREPARATION MUST BE MADE BY THE DOOR MANUFACTURER.

FURNISHED WITH SIX (6) #12-24 x 5/8" FLAT HEAD MACHINE SCREWS AND SIX (6) #12 x 1 1/2" FLAT HEAD WOOD SCREWS.

FURNISHED WITH #12 x 2 1/4" OR (2) #12-24 HEAD MACHINE



FOR CONCEALED WIRING ONLY:
1 1/8" DIA. HOLE IS REQUIRED FOR 3/4" CONDUIT FITTING. IT IS IMPORTANT THAT SPACE BE PROVIDED WITHIN THE FRAME FOR THE CONDUIT.

- ② LEFT HAND DOOR SHOWN.
- ① 12 GAUGE MIN. REINFORCEMENTS REQUIRED FOR METAL DOORS AND FRAMES.

The ASSA ABLOY Group is the global leader in access solutions. Every day, we help billions of people experience a more open world.

ASSA ABLOY Opening Solutions leads the development within door openings and products for access solutions in homes, businesses and institutions. Our offering includes doors, frames, door and window hardware, locks, perimeter fencing, access control and service.

SARGENT
ASSA ABLOY

SARGENT Manufacturing Company
100 Sargent Drive
New Haven, CT 06511 USA
800-727-5477
www.sargentlock.com

Founded in the early 1800s, SARGENT® is a market leader in locksets, cylinders, door closers, exit devices, electro-mechanical products and access control systems for new construction, renovation, and replacement applications. The company's customer base includes commercial construction, institutional, and industrial markets.

Copyright © 2005, 2008, 2021, SARGENT Manufacturing Company. All rights reserved. Reproduction in whole or in part without the express written permission of SARGENT Manufacturing Company is prohibited.

A7407C
09/21