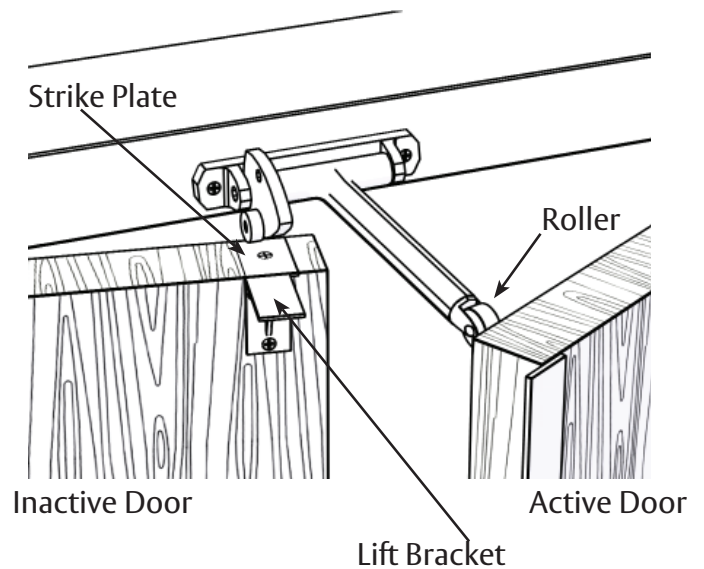
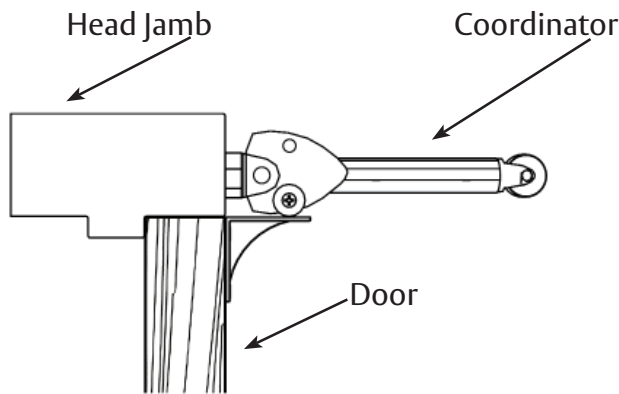


Installation Instructions

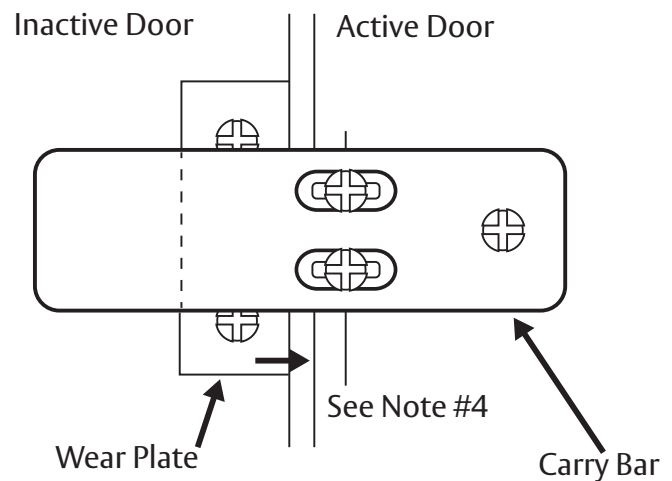
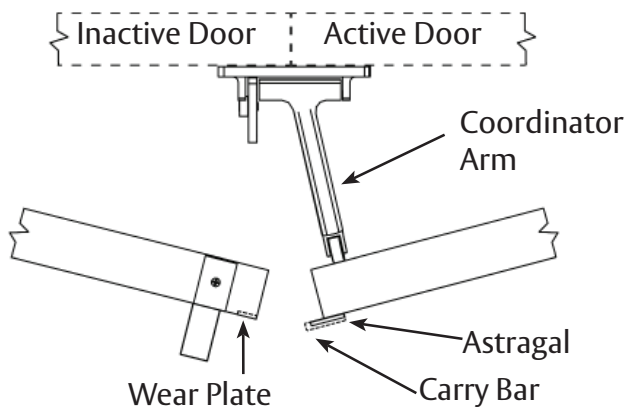
SARGENT
ASSA ABLOY

Door Coordinator & Carry Bar

Door Coordinator



Carry Bar (Supplied on order only.)



1. Roller must be at the bottom of the cam. Relocate to change hand.
2. Mount the lift bracket and strike plate.
3. Mount the coordinator so that the lift bracket will lift the roller to clear the door.
4. Mount the carry bar approximately 6" from the top of the active door. The inactive door should just clear the carry bar when the active door is held open by the coordinator.
5. Install wear plate in the edge of inactive door as shown.

⚠ WARNING

This product can expose you to lead which is known to the state of California to cause cancer and birth defects or other reproductive harm. For more information go to www.P65warnings.ca.gov.

1-800-727-5477 • www.sargentlock.com

Copyright © 2022 SARGENT Manufacturing Company. All rights reserved. Reproduction in whole or in part without the express written permission of SARGENT Manufacturing Company is prohibited.

A5692F 9/22

Experience a safer
and more open world