

INSTRUCTIONS FOR INSTALLING 700, 700-4, 700-6 AND 700-8 FREEWHEELING LEVER HANDLE CONTROL (SEE OTHER SIDE FOR CHANGING HAND)

Patent pending and/or patent www.assaabloydss.com/patents

ASSA ABLOY, the global leader in door opening solutions

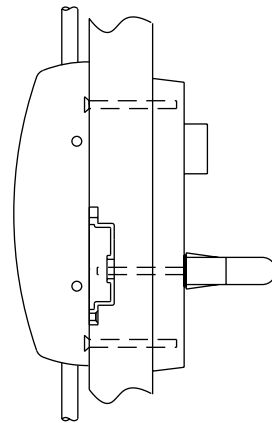
ATTENTION:

* TO PREPARE DOOR, USE INSTRUCTION SHEETS AND TEMPLATES PACKED WITH EXIT DEVICE AND OUTSIDE TRIM.

* PLEASE, LEAVE THIS INSTRUCTION SHEET FOR MAINTENANCE USE.

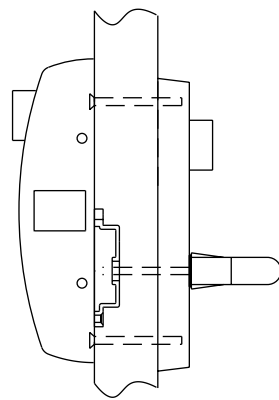
700 SERIES CONTROL USED WITH 8700 AND 9700 SURFACE MOUNTED VERTICAL ROD EXIT DEVICES

8700 RHRB SHOWN



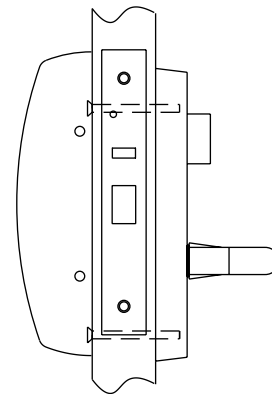
700 SERIES CONTROL USED WITH 8816 AND 9800 RIM EXIT DEVICES

8816 RHRB SHOWN



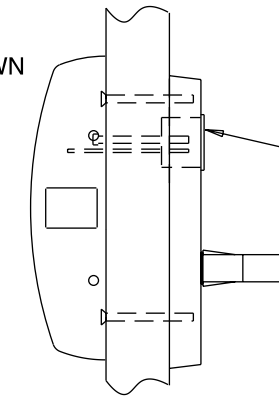
700 SERIES CONTROL USED WITH 8900 AND 9900 MORTISE LOCK EXIT DEVICES

8900 RHRB SHOWN

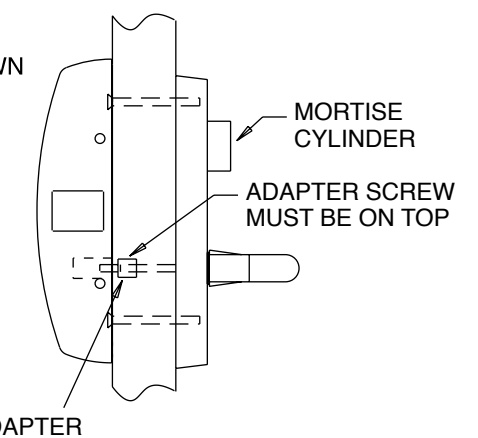


700-8 SERIES CONTROL USED WITH 8800, 12-8800, 8888, 12-8888, HC8800 AND 12-HC8800 RIM TYPE EXIT DEVICES

8900 RHRB SHOWN



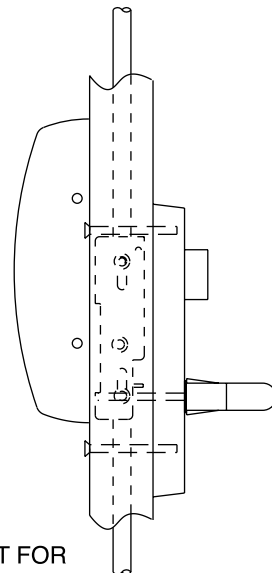
8900 RHRB SHOWN



IMPORTANT: SEE INSTRUCTION SHEET A6770 FOR (12-)8888, AND (12-)HC8800 EXIT DEVICES MOUNTING. SECURELY FASTEN ADAPTER TO SPINDLE WITH SET SCREW BEFORE MOUNTING.

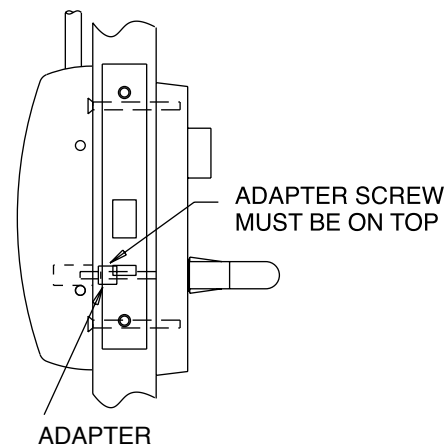
700-4 SERIES CONTROL USED WITH 8400, 12-MD8400, MD8600 AND 12-MD8600 CONCEALED VERTICAL ROD EXIT DEVICES

RHRB SHOWN



700-8 SERIES CONTROL USED WITH PR8710, PP8710 AND SP8710 CENTER AND TOP LATCH SURFACE VERTICAL ROD EXIT DEVICES

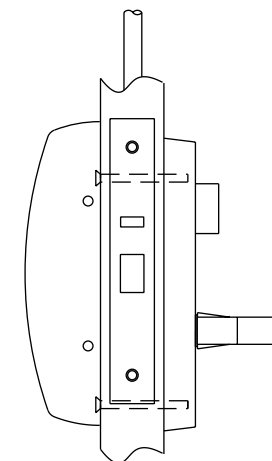
PP8700 RHRB SHOWN



IMPORTANT: SEE INSTRUCTION SHEET A7212 FOR SP8700, 12-SP8700, PP8700, 12-PP8700, PR8700 AND 12-PR8700 EXIT DEVICE MOUNTING. SECURELY FASTEN ADAPTER TO SPINDLE WITH SET SCREW BEFORE MOUNTING.

700-6 SERIES CONTROL USED WITH PR8600, PP8600 AND SP8600 CENTER AND TOP LATCH CONCEALED VERTICAL ROD EXIT DEVICES

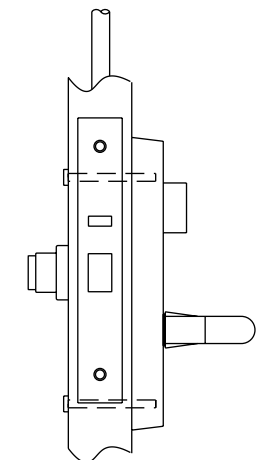
PP8600 RHRB SHOWN



IMPORTANT: SEE INSTRUCTION SHEET A7330 FOR SP8600, 12-SP8600, PP8600, 12-PP8600, PR8600 AND 12-PR8600 EXIT DEVICE MOUNTING.

700-6 SERIES CONTROL USED WITH LR8600, LP8600 AND LS8600 LOW PROFILE EXIT DEVICES

LP8600 RHRB SHOWN



IMPORTANT: SEE INSTRUCTION SHEET A7393 FOR LP8600, 12-LP8600, LS8600, 12-LS8600, LR8600 AND 12-LR8600 EXIT DEVICE MOUNTING.

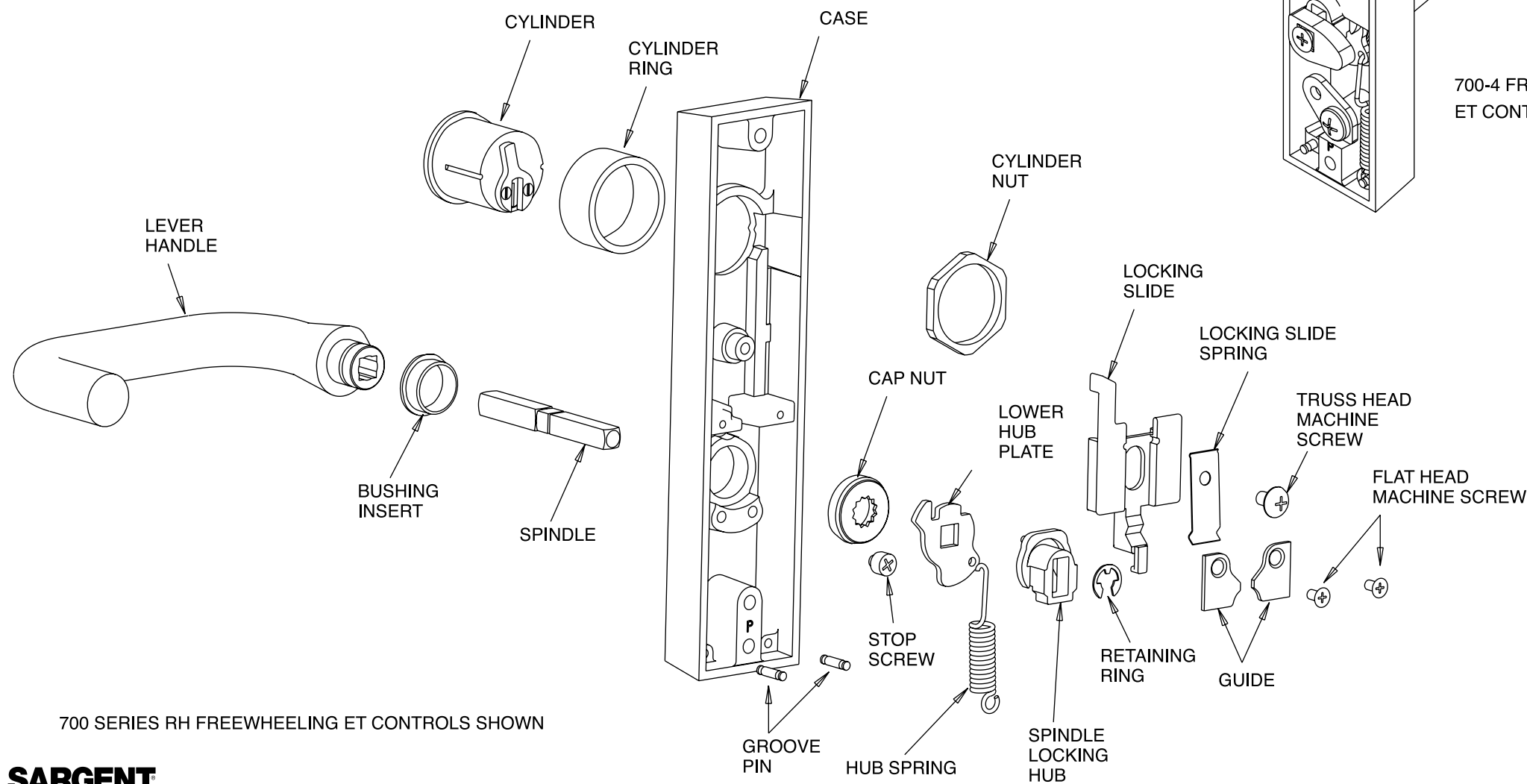
700 SERIES FREEWHEELING LEVER HANDLE CONTROL

METHOD FOR CHANGING HAND OF LEVER

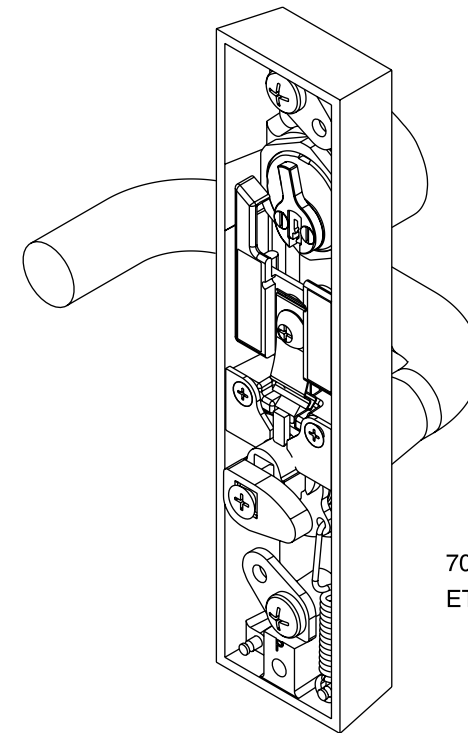
1. REMOVE STOP SCREW USING PHILLIPS SCREWDRIVER.
2. REMOVE HUB SPRING FROM THE GROOVE PIN.
3. REMOVE GUIDES.
4. REMOVE TRUSS HEAD MACHINE SCREW, LOCKING SLIDE SPRING AND LOCKING SLIDE.
5. REMOVE RETAINING RING AND DISCARD.
6. REMOVE SPINDLE LOCKING HUB.
7. REMOVE LOWER HUB PLATE. REMOVE SPRING FROM THE HUB PLATE.
8. ROTATE HANDLE TO DESIRED HAND.
(SPINDLE DOES NOT HAVE TO BE REMOVED TO CHANGE HAND).
9. REASSEMBLE BY FLIPPING LOWER HUB PLATE OVER.
(SO THAT SPRING RETAINING HOLE IS ON THE OPPOSITE SIDE).
ASSEMBLE LOWER HUB PLATE WITH HUB SPRING BEFORE SLIDING IT DOWN SPINDLE.
10. INSTALL SPINDLE LOCKING HUB.
11. INSTALL NEW RETAINING RING ONTO SPINDLE.
12. INSTALL LOCKING SLIDE, LOCKING SLIDE SPRING AND TRUSS HEAD MACHINE SCREW.
13. INSTALL GUIDES.
14. INSTALL HUB SPRING ONTO THE GROOVE PIN.
15. INSTALL STOP SCREW INTO THE HOLE FACING THE LEVER HANDLE.

METHOD FOR REPLACING CYLINDER

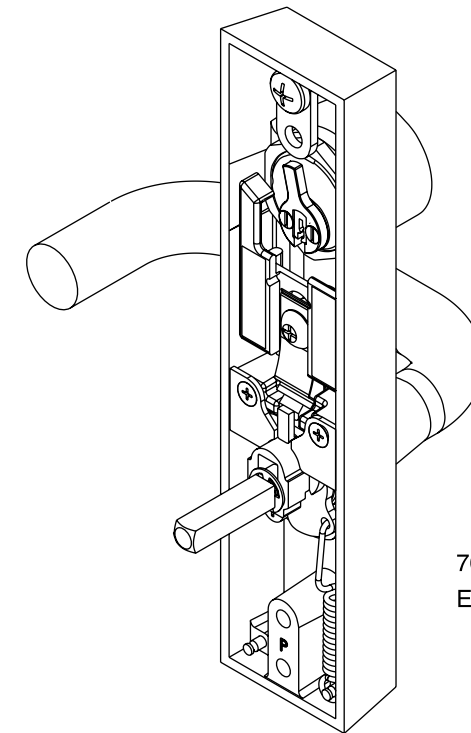
1. WITH LOCKING SLIDE IN DOWN POSITION, UNSCREW CYLINDER NUT AND REMOVE THE CYLINDER AND CYLINDER RING.
2. REPLACE CYLINDER BY REVERSING ABOVE PROCEDURE.
MAKE SURE THAT CYLINDER CAM POINTS UP AND CORRECT LENGTH OF RING IS USED.



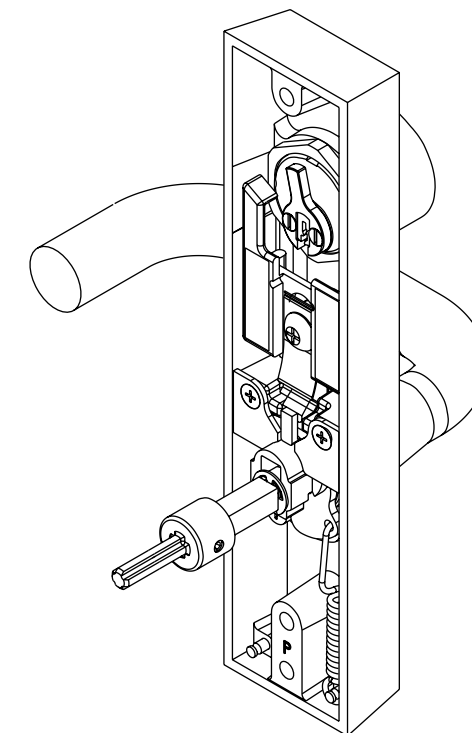
700 SERIES RH FREEWHEELING ET CONTROLS SHOWN



700-4 FREEWHEELING
ET CONTROL



700-6 FREEWHEELING
ET CONTROL



700-8 FREEWHEELING
ET CONTROL

SARGENT

ASSA ABLOY

ASSA ABLOY, the global leader
in door opening solutions

Copyright © 2016, Sargent Manufacturing Company, an ASSA ABLOY Group company. All rights reserved. Reproduction in whole or in part without the express written permission of Sargent Manufacturing Company is prohibited.

A7261F