



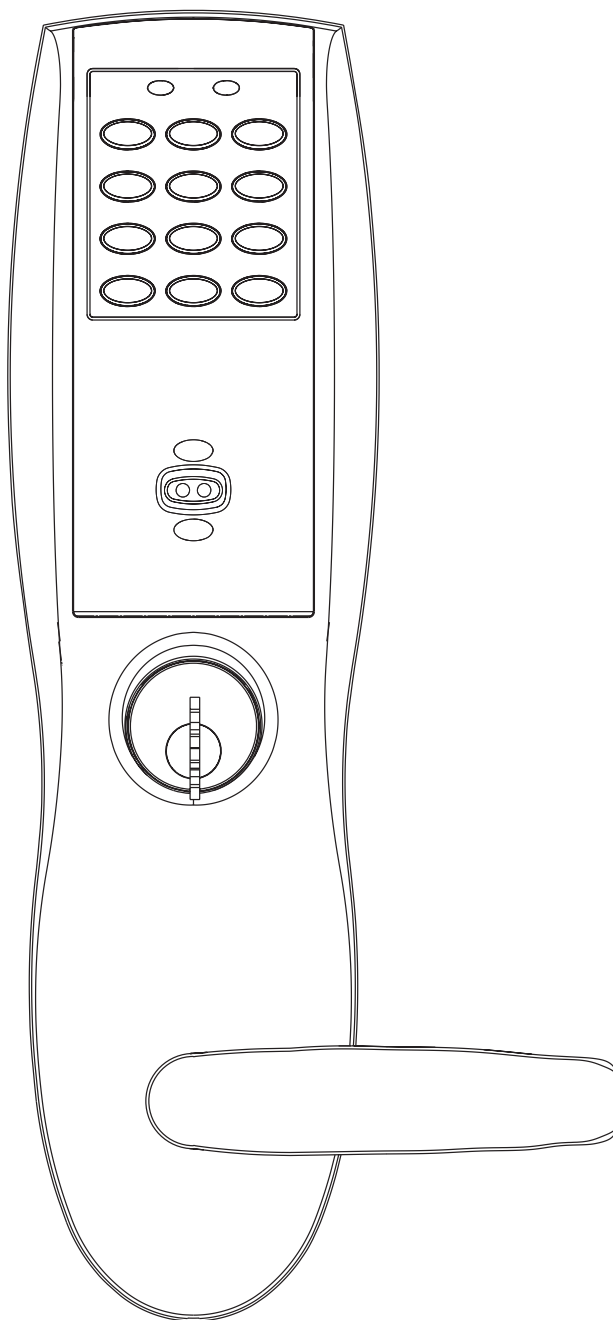
Installation Instructions

Profile Series v.G1

Mortise Lock

SARGENT[®]

ASSA ABLOY



A7454C
4/09

Copyright © 2009, Sargent Manufacturing Company, an ASSA ABLOY Group company. All rights reserved.
Reproduction in whole or in part without the express written permission of Sargent Manufacturing Company is prohibited.

ASSA ABLOY, the global leader
in door opening solutions





Table of Contents

	Page
1 Warning	
2 General Description	1
3 Specifications	1
4 Features	1
5 Parts Breakdown	2-3
6 Installation Instructions	4-9
7 Operational Check	10
8 Installation of the RF Technology Lock (G1-TU, G1-TA, G1-TP).....	10

1 Warning

Warning: Changes or modifications to this unit not expressly approved by the party responsible for compliance could void the user's authority to operate the equipment.

This device complies with Part 15 of the FCC Rules. Operation is subject to the following two conditions: (1) this device may not cause harmful interference, and (2) this device must accept any interference received, including interference that may cause undesired operation.

Note: This equipment has been tested and found to comply with the limits for a Class B digital device, pursuant to Part 15 of the FCC Rules. These limits are designed to provide reasonable protection against harmful interference in a residential installation. This equipment generates, uses and can radiate radio frequency energy and if not installed and used in accordance with the instructions, may cause harmful interference to radio communications. However, there is no guarantee that the interference will not occur in a particular installation. If this equipment does cause harmful interference to radio or television reception, which can be determined by turning the equipment off and on, the user is encouraged to try to correct the interference by one or more of the following measures:

- Reorient or relocate the receiving antenna
- Increase the separation between the equipment and receiver
- Connect the equipment into an outlet on a circuit different from that to which the receiver is connected
- Consult the dealer or an experienced TV technician for help

This Class B digital apparatus complies with Canadian ICES-003.

Cet appareil numérique de la classe B est conforme avec la norme NMB-003 du Canada.



Warning To comply with "Fire Listed" doors, the batteries must be replaced with alkaline batteries only.

Copyright © 2009, Sargent Manufacturing Company, an ASSA ABLOY Group company. All rights reserved. Reproduction in whole or in part without the express written permission of Sargent Manufacturing Company is prohibited.



SARGENT®

ASSA ABLOY

Profile Series v.G1 Mortise Lock

2 General Description

The SARGENT Profile v.G1 Mortise Lock is designed for areas which require stand alone authorized entry. It is a self-contained microprocessor-controlled keypad with non-volatile memory. The keypad will hold a total of 100(LK)/2000 (G1-LU, G1-PK, G1-PA, G1-TU, G1-TP, G1-TA) different user codes. User codes “01” & “02” are utilized for Master and Supervisory Codes, respectively.

This product is operated by six (6) “AA” alkaline batteries. SARGENT mortise locks are designed with quality components to provide high security, performance and durability.

3 Specifications

- Latch - Stainless steel
- Deadbolt - Stainless steel
- Guardbolt - Stainless steel, non handed
- Handed - Easily field reversible without disassembling the lock body
- Case - 12 gauge heavy duty wrought steel
- Outside lever controlled by any combination of keypad, Proximity or RF Technology
- Inside lever retracts latch and deadbolt
- Locks furnished for 1-3/4” doors. Can be furnished for other door sizes upon request. Consult factory
- U.L. Listed (3 hr.)

4 Features

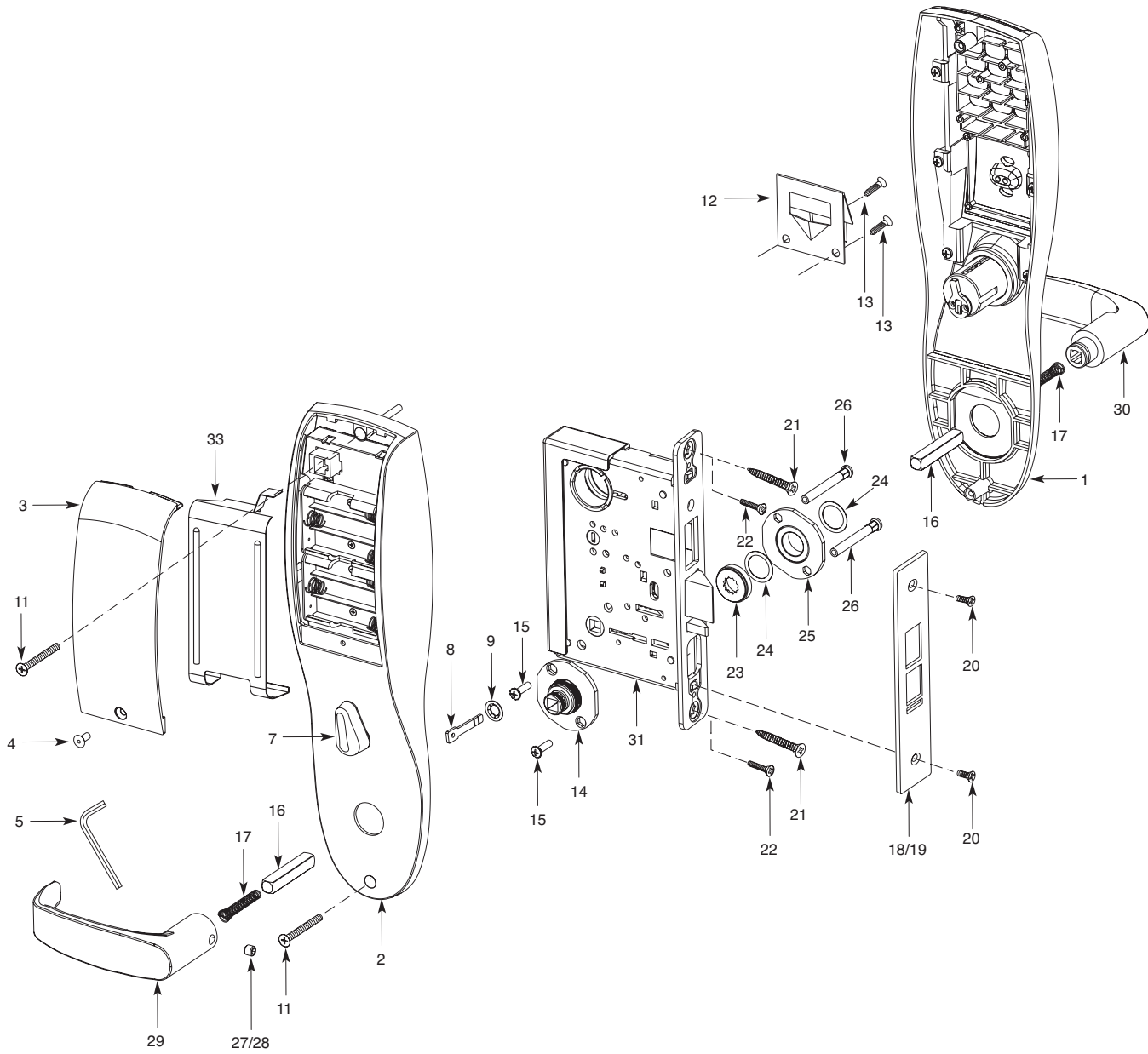
- Low battery alert—4 chirps after code entry
- External remote “request to enter” connector
- Master, Emergency or Supervisory code will unlock door when low battery has expired
- Programming done at the keypad (Except G1-PA & G1-TA) or with a PDA using SofLink Plus software and a PC
- Entry of three wrong User Codes disables all codes for ten seconds. Yellow LED on solid
- Last 15 transactions can be output to portable printer via infrared link (LK Only)
- Last 2000 (Except LK) transactions can be output to a PC via a PDA and SofLink™ Plus software



**Profile Series v.G1
Mortise Lock**

SARGENT®
ASSA ABLOY

5 Parts Breakdown



Copyright © 2009, Sargent Manufacturing Company, an ASSA-ABLOY Group company. All rights reserved.
Reproduction in whole or in part without the express written permission of Sargent Manufacturing Company is prohibited.



**Profile Series v.G1
Mortise Lock**

5 Parts Breakdown (Continued)

ITEM	PART No.	DESCRIPTION	REQ'D
1	82-4190	Outside Escutcheon with Cylinder Hole and Key Pad, or Key Pad/Prox (G1-LU, G1-PK, G1-TU, G1-TP)	1
	82-4191	Outside Escutcheon without Cylinder Hole and Key Pad or Key Pad/Prox (G1-LU, G1-PK, G1-TU, G1-TP)	1
	82-4192	Outside Escutcheon with Cylinder Hole and Prox Only (G1-PA, G1-TA)	1
	82-4193	Outside Escutcheon without Cylinder Hole and Prox Only (G1-PA, G1-TA)	1
	82-0493	Outside Escutcheon Housing Only without Cylinder Hole	1
	82-0495	Outside Escutcheon Housing Only with Cylinder Hole	1
	52-2432	Keypad/Proximity Bezel Assembly w/ Harness (LK)	1
	52-2706	Proximity Only Bezel Assembly with Harness (G1-PA, G1-TA)	1
	52-2704	Key Pad/Proximity Bezel Assembly with Harness (G1-LU, G1-PK, G1-TU, G1-TP)	1
2	82-3837	Inside Escutcheon with Thumb Turn and 100 User Controller (LK)	1
	82-3838	Inside Escutcheon without Thumb Turn and 100 User Controller (LK)	1
	82-4182	Inside Escutcheon with Thumb Turn and 2000 User Controller (G1-LU)	1
	82-4183	Inside Escutcheon without Thumb Turn and 2000 User Controller (G1-LU)	1
	82-4184	Inside Escutcheon with Thumb Turn Prox/Key Pad Controller (G1-PA, G1-PK)	1
	82-4185	Inside Escutcheon without Thumb Turn Prox/Key Pad Cont. (G1-PA, G1-PK)	1
	82-4186	Inside Escutcheon with Thumb Turn & 2000 User Controller with RF Technology (G1-TU)	1
	82-4187	Inside Escutcheon Less Thumb Turn & 2000 User Controller with RF Technology (G1-TU)	1
	82-4188	Inside Escutcheon with Thumb Turn & Keypad/Prox or Prox Only Controller (G1-TA, G1-TP)	1
	82-4189	Inside Escutcheon Less Thumb Turn & Keypad Prox or Prox Only Controller (G1-TA, G1-TP)	1
	82-0492	Inside Escutcheon Housing Only without Thumb Turn	1
	82-0494	Inside Escutcheon Housing Only with Thumb Turn	1
	52-2440	100 (LK) User Key Pad Controller Assembly	1
	52-2783	2000 (G1-LU) User Controller Assembly	1
	52-2784	2000 User (G1-PA, G1-PK) Controller Assembly	1
	52-2786	2000 User Keypad/Prox Controller Assembly w/ RF Technology (G1-TA, G1-TP)	1
	52-2785	2000 User Keypad Controller Assembly w/ RF Technology (G1-TU)	1
3	52-0170	Battery Cover	1
	52-2509	Battery Cover – RF Technology (G1-TU,G1-TP, G1-TA)	1
4	01-1212	Security Screw	1
5	01-0297	Security Tool	1
7	82-0507	Thumb Turn	1
8	77-0772	Spindle (Thumb Turn)	1
9	01-0844	Washer (Thumb Turn)	1
10	01-0543	Spring Grip Fastener (Thumb Turn)	1
11	77-0168	Through-bolts #8-32 x 1 7/8" Flat Head Screw	2
12	52-0033	Fire Stop Plate	1
13	01-1500	Fire Stop Screws #8 x 1/2" Type "AB" Phillips Pan Head Self Tap	2
14	82-3088	Inside Spindle Adapter & Plate Assembly	1
15	01-1495	Screw #8-32 x 1/2"	2
16	82-0368	Inside Spindle/Outside Spindle	2
17	82-0347	Inside Spring/Outside Spring	2
18	82-0081	Face Plate no Dead Bolt	1
19	82-0084	Face Plate with Dead Bolt	1
20	01-1028	Face Plate Screws Machine 8-32 x 1/4"	2
21	01-2299	Lock Body Screws/Wood Door #12 x 1 1/4"	2
22	01-1019	Lock Body Screws/Metal Door 12-24 x 1/2"	2
23	82-0184	Cap Nut	1
24	01-0079	Washer	2
25	82-3082	Plate Assembly	1
26	81-0723	Post	2
27	01-1472	Lever Handle Screw, A, E & F Lever	1
28	01-1174	Lever Handle Screw, B, J, L, P & W Lever	1
29			
30		Reference Profile Series catalog for available lever handles	
31	82-3732	Lockbody Assembly (with deadbolt) (8276 & 8277)	1
	82-3733	Lockbody Assembly (without deadbolt) (8278 & 8279)	1
32	01-0803	Battery Alkaline ("AA" cell)	6
33	52-0253	Battery Keeper	1
	52-0344	Battery Keeper – RF Technology (G1-TU, G1-TP, G1-TA)	1

Copyright © 2009, Sargent Manufacturing Company, an ASSA ABLOY Group company. All rights reserved. Reproduction in whole or in part without the express written permission of Sargent Manufacturing Company is prohibited.



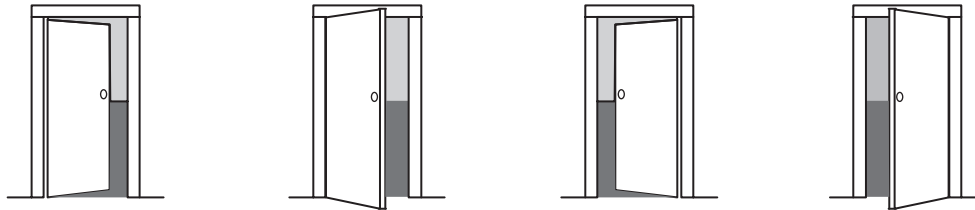
SARGENT®

ASSA ABLOY

Profile Series v.G1 Mortise Lock

6 Installation Instructions

Verify Hand and Bevel of Door



Step #1 – Door Preparation

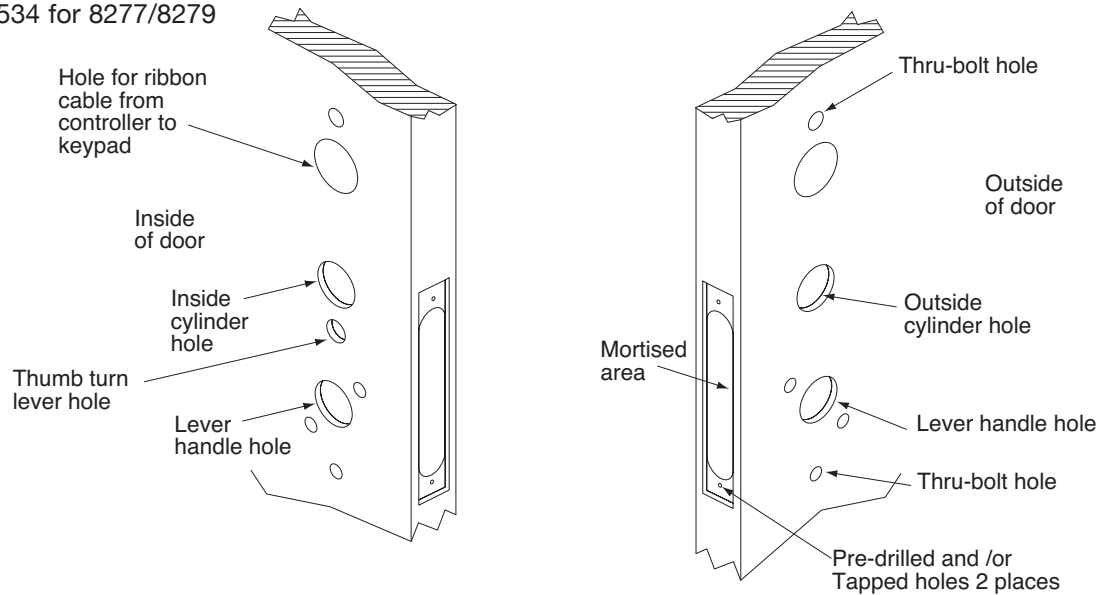
Before Starting

Prep door according to Instruction Sheet A7454 and appropriate template:

Wood door - A7457

Metal door - 4533 for 8276/8278

Metal door - 4534 for 8277/8279



Copyright © 2009, Sargent Manufacturing Company, an ASSA ABLOY Group company. All rights reserved. Reproduction in whole or in part without the express written permission of Sargent Manufacturing Company is prohibited.





SARGENT®

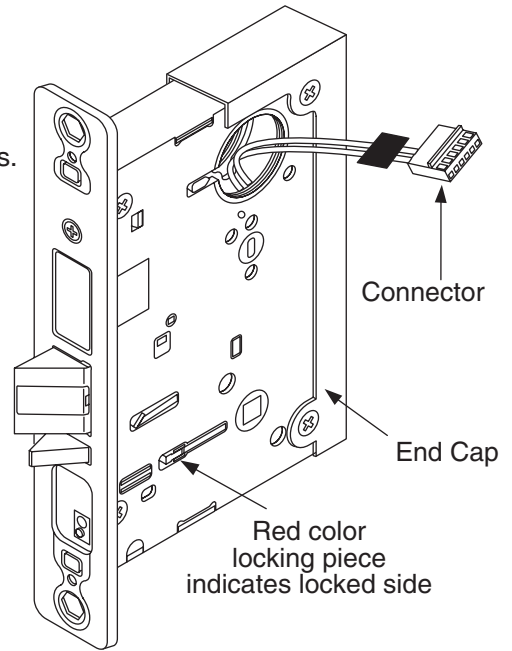
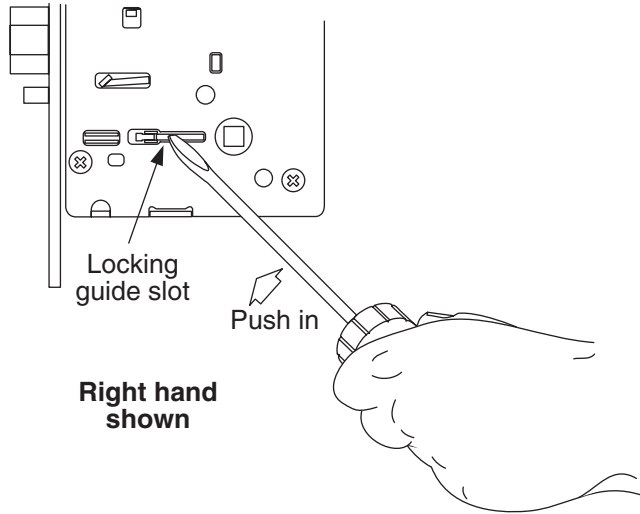
ASSA ABLOY

Profile Series v.G1 Mortise Lock

Step #2 – How to Reverse Lock Hand

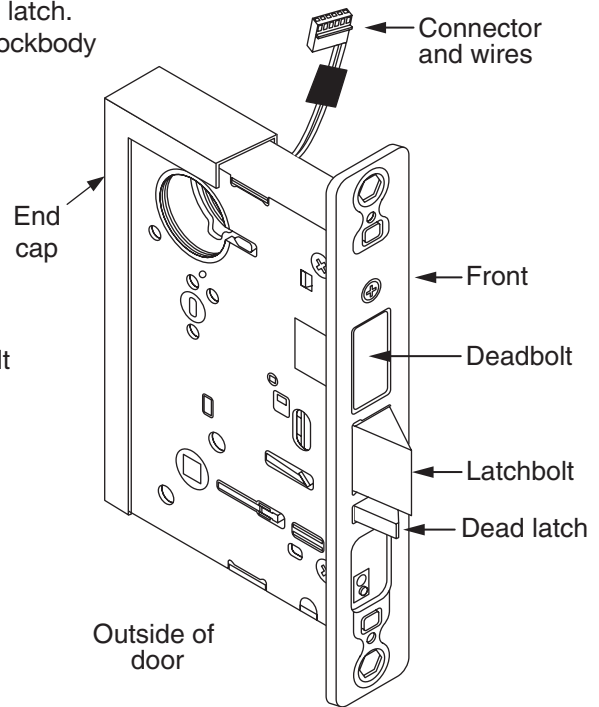
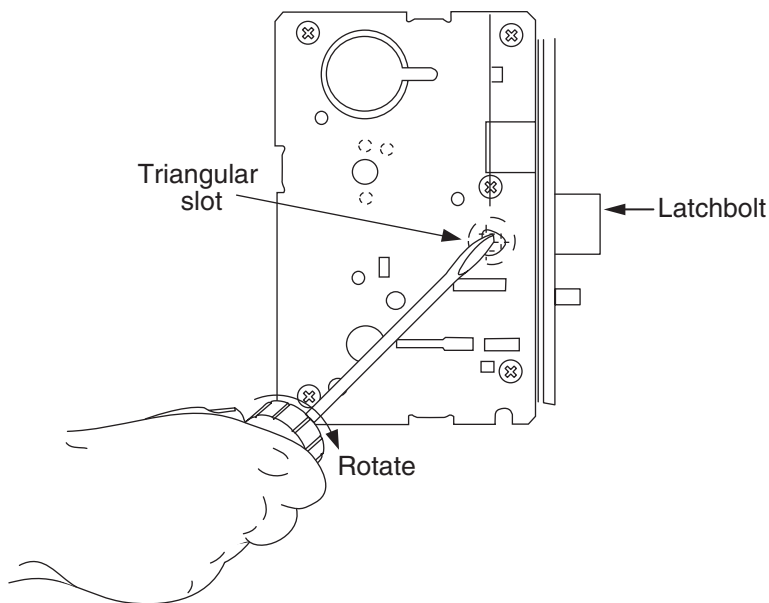
If it is necessary to change hand of locking piece:

1. Turn lockbody to side NOT marked with RED locking piece.
2. Insert blade of common screwdriver into locking piece slot.
3. Push locking piece toward front of lockbody and rotate until RED shows.
4. RED indicates locked (outside) side.
5. Wire harness MUST exit thru non-cylinder side.



If it is necessary to change hand of latch:

1. Insert blade of common screwdriver into triangular slot behind latch.
2. Rotate screw driver and push latch out until back of bolt clears lockbody front.
3. Rotate latch 180° until the latch drops back into the lockbody.





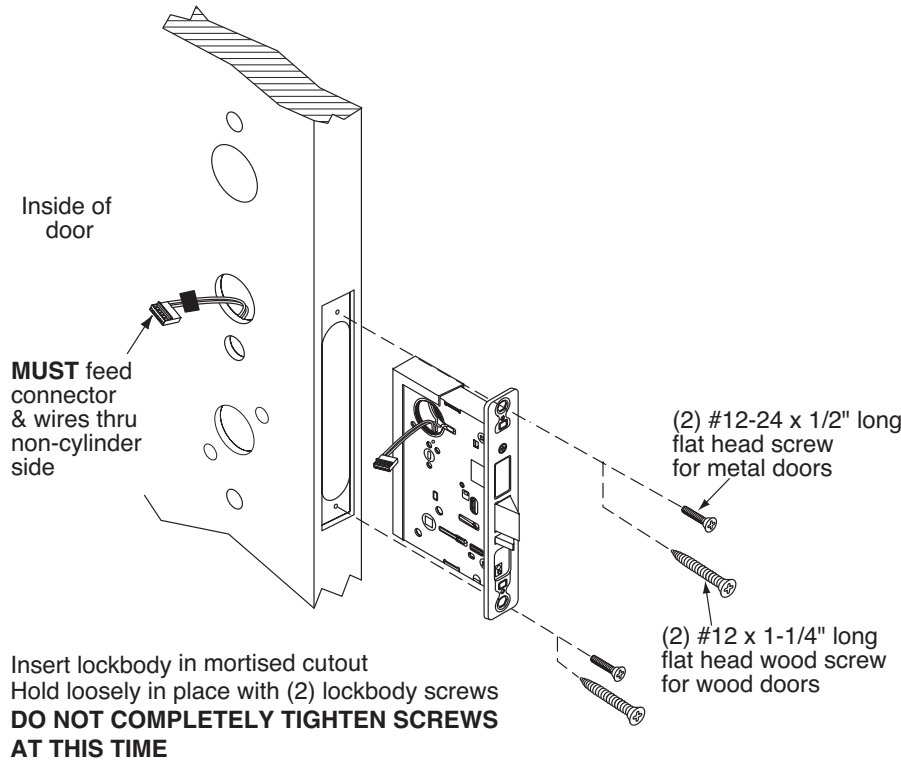
SARGENT®

ASSA ABLOY

Profile Series v.G1 Mortise Lock

Step #3 – Lockbody Installation

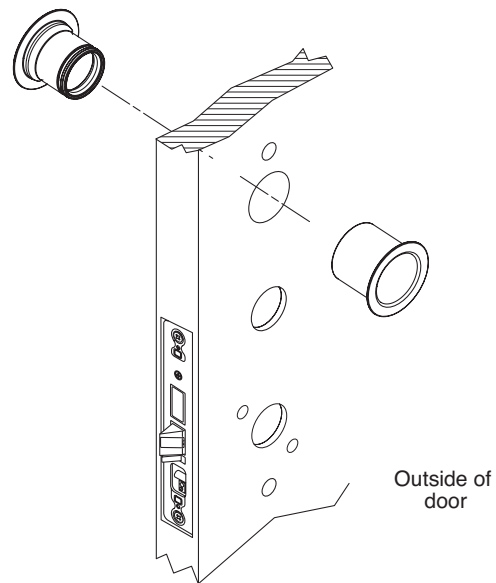
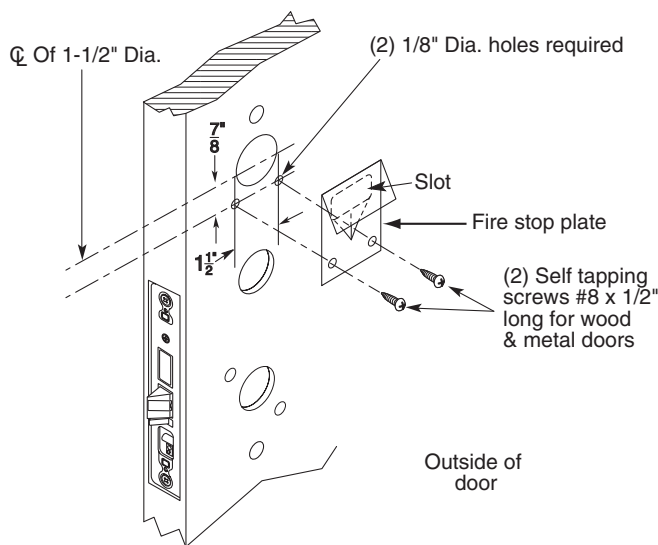
Wires and connector go into the mortised area and out of the inside cylinder hole



Step #4 – Attach Fire Stop Plate

NOTE: Required for 12- fire rated doors.

Non Fire Rated Exterior Doors-
Install Weather Conduit
(P/N 52-2847) as shown below



Copyright © 2009, Sargent Manufacturing Company, an ASSA ABLOY Group company. All rights reserved. Reproduction in whole or in part without the express written permission of Sargent Manufacturing Company is prohibited.

4/01/09

6

800-810-WIRE (9473) • www.sargentlock.com • A7454C

ASSA ABLOY, the global leader in door opening solutions





SARGENT®

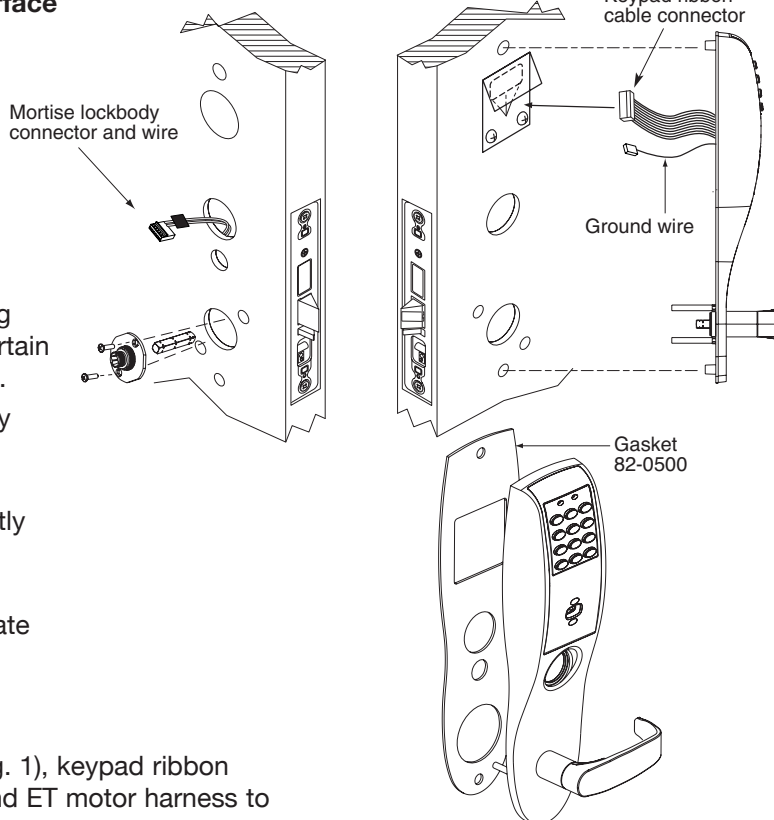
ASSA ABLOY

Profile Series v.G1 Mortise Lock

Step #5 – Installation of Outside/Inside Escutcheon & Lever Assembly

NOTE: For exterior applications, gasket (82-0500) should be used to seal between escutcheon and outside door surface

- 1A. For 12- fire rated devices, feed keypad ribbon cable connector and ground wire from outside of door through gasket and fire stop plate hole
- 1B. For non-12- exit devices, feed keypad ribbon cable connector and ground wire through gasket then through hole in door
2. With outside lever horizontal, insert mounting posts through door and lock body. Make certain the lever spindle is properly engaged in lock.
3. Secure inside adapter and plate assembly by threading screws into mounting posts of outside lever assembly
4. Tighten retaining nut by hand, back off slightly until star pattern lines up with square lever assembly corners
5. Insert spindle into square hole of adapter plate



Step #6

6. Connect ground wire to terminal E3 (Ref. Fig. 1), keypad ribbon cable connector to controller (Ref. Fig. 2), and ET motor harness to motor connector (Ref. Fig. 3).
7. Place extra wire inside door hole or outside escutcheon being careful not to pinch wires

NOTE: Connectors go on only one way, do not offset connector and be sure they are completely seated

8. Insert #8-32 x 1-1/4" screws through inside escutcheon and thread into outside escutcheon. Straighten (Ref. Fig. 2) escutcheons and tighten securely.

NOTE: For RF Technology versions (G1-TU, G1-TP, G1-TA) refer to Section 8 to install through bolt screws.

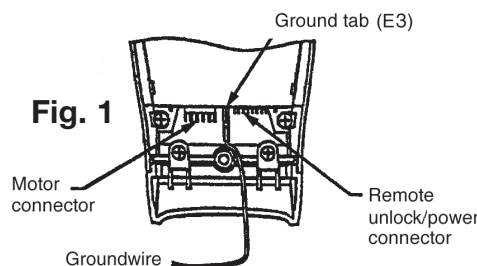


Fig. 2

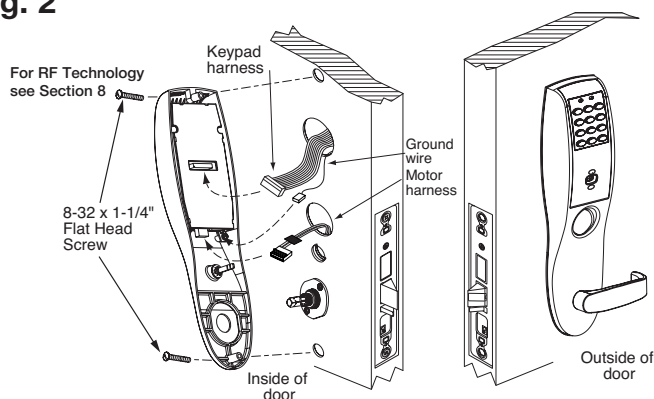
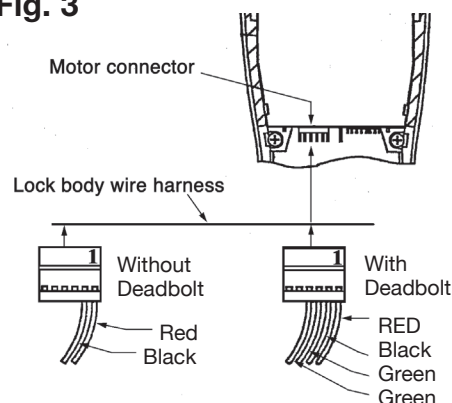


Fig. 3





SARGENT®

ASSA ABLOY

Profile Series v.G1 Mortise Lock

Step #7 – Installation of Inside Lever and Outside Cylinder

1. Put the turn lever in the horizontal position (Ref. Fig. 1).
2. Slide lever handle onto spindle until fully seated (as shown in Fig. 2). Be sure handle is horizontal and facing to the rear of the door
3. Tighten the set screw securely with 1/8" hex wrench

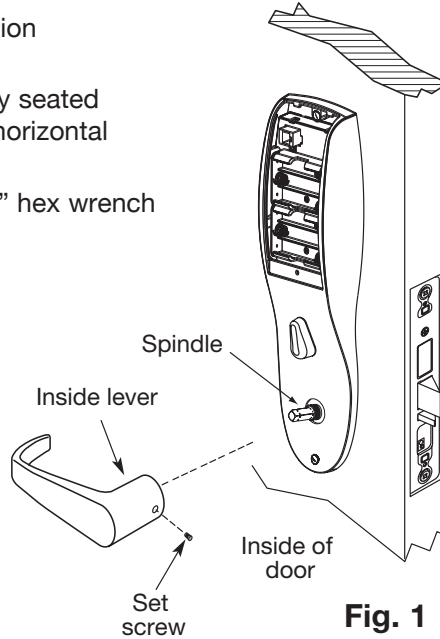


Fig. 1

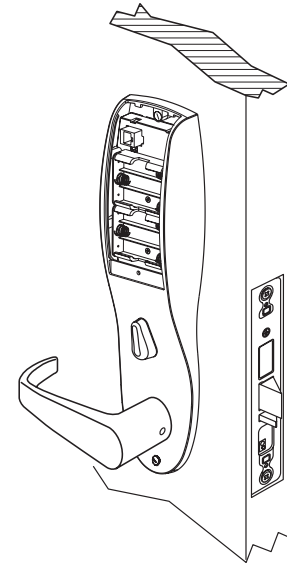


Fig. 2

Step #8 – Installation of Cylinder

1. Align cylinder (as shown in Fig. 1).
2. Screw cylinder into lockbody unit (Ref. Fig. 3 for cylinder orientation).
3. Tighten the set screw to prevent unscrewing of the cylinder (Ref. Fig. 2).
4. Turn the keyway in the cylinder to make certain that the locking mechanism functions correctly.

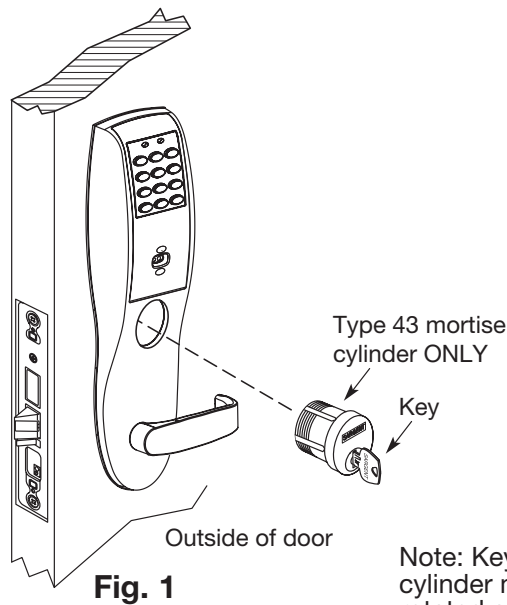


Fig. 1

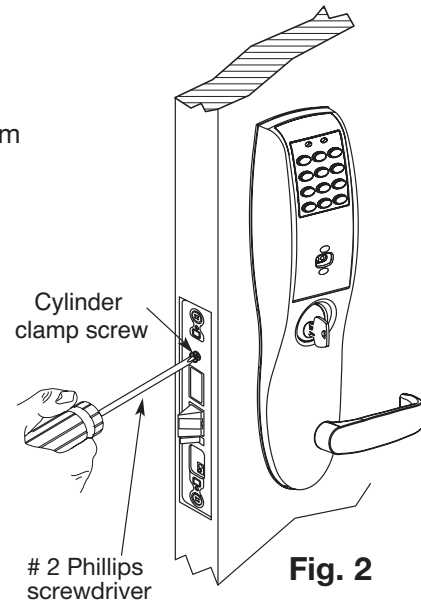


Fig. 2

Note: Key and cylinder must be rotated as shown

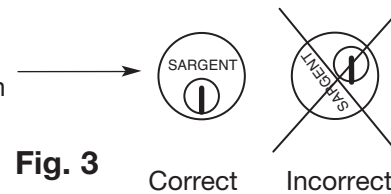


Fig. 3

Correct

Incorrect

Copyright © 2009, Sargent Manufacturing Company, an ASSA ABLOY Group company. All rights reserved. Reproduction in whole or in part without the express written permission of Sargent Manufacturing Company is prohibited.





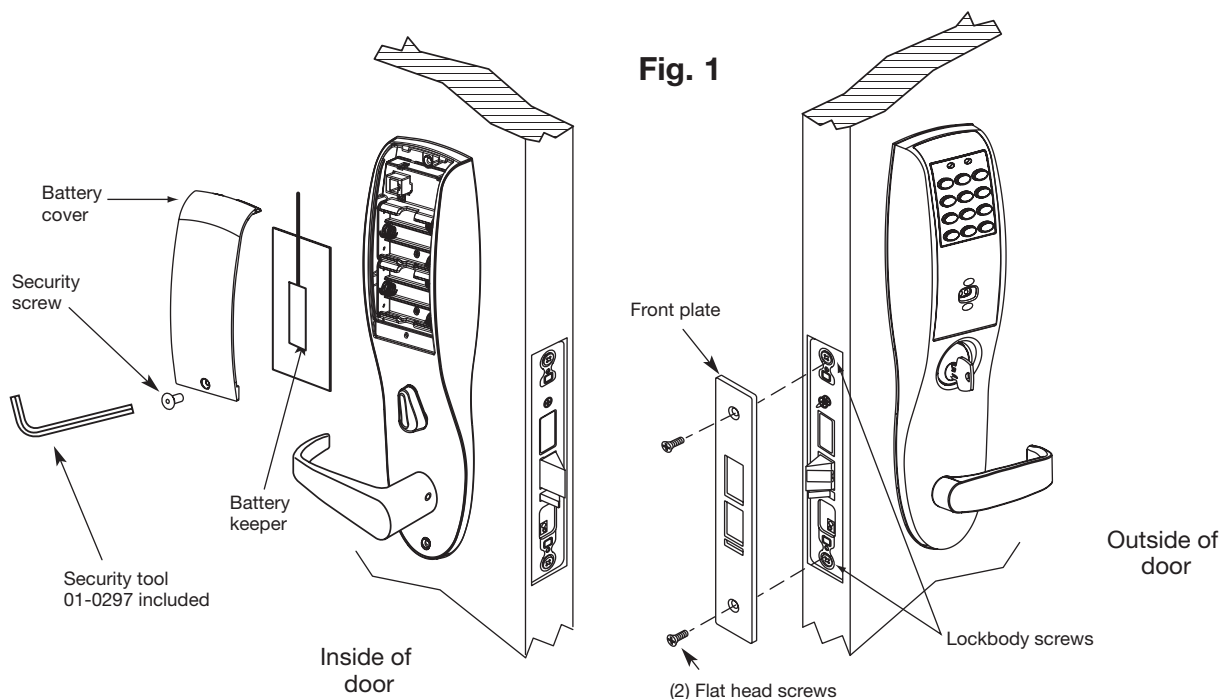
SARGENT®

ASSA ABLOY

Profile Series v.G1 Mortise Lock

Step #9 – Battery Installation/Application of Front Plate

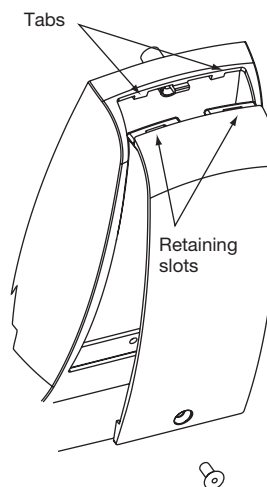
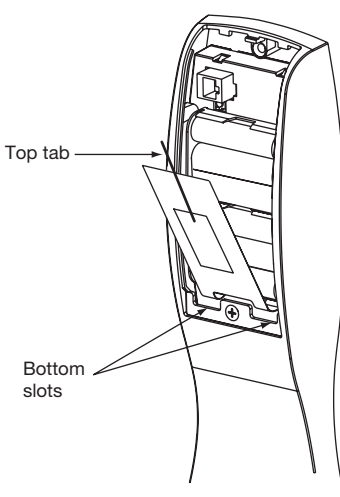
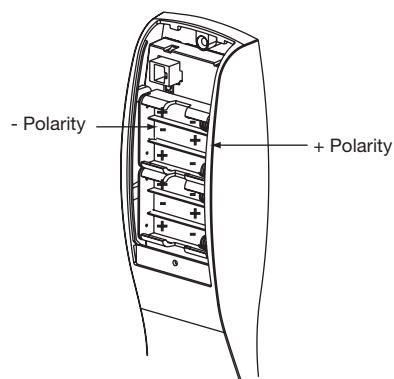
1. Tighten lockbody screws (Ref. Fig. 1)
2. Attach front plate with (2) flat head screws



2. Place (6) "AA" batteries* into the compartment being careful to align polarity properly (Ref. Fig. 2).

3. Install battery keeper clip by inserting tabs into bottom slots. To remove keeper, pull on top tab (Ref. Fig 3).

4. Attach battery cover to inside escutcheon making sure to line up tabs with retaining slots in battery cover. Secure with security screw (Ref. Fig. 4).





SARGENT®

ASSA ABLOY

Profile Series v.G1 Mortise Lock

7 Operational Check

For devices with cylinders:

1. Insert key into cylinder and rotate (There should be no friction against lock case, wire harness or any other obstructions – refer to Section 6, Step 8 if harness friction exists.
2. The key will retract the latch, key should rotate freely
3. If the deadbolt is thrown, the key will retract both the deadbolt and the latch
4. Inside lever retracts latch and deadbolt (if provided)
5. Enter 1234* to unlock outside lever handle and retract latch and deadbolt (if provided)
6. If lock is prox only (G1-PA) or RF Technology with prox (G1-TA) - refer to keypad programming instructions (A7716) to program lock using SofLink Plus™ software.



8 Installation of RF Technology Lock

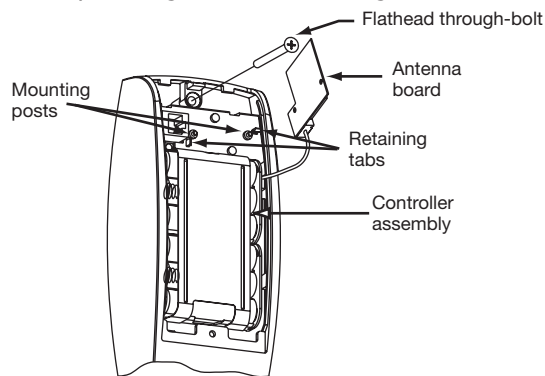
The RF Technology Lock (G1-TU, G1-TA, G1-TP) is installed as described in sections 1-7 with the following exceptions:

- Installation of the top through-bolt screw
- Removal process for the battery keeper

A. Installation of the top through-bolt screw:

The antenna board must be carefully moved to access the upper through-bolt screw. Care should be taken to prevent damage to the antenna retaining tabs during this process.

Press the two tabs away from the antenna board and lift the board off the mounting posts. Insert the flat head through-bolt and secure the escutcheon in place. After tightening the top through-bolt, replace the antenna board by placing it on the mounting posts and pressing into the retaining tabs.



B. Removal procedure for the Battery Keeper:

To remove the battery keeper, a flat bladed screwdriver or similar tool must be used.

Insert the screwdriver into the slot at the top of the battery keeper, lift up and pull the top of the keeper away from the batteries.

To install, insert the tabs on the bottom of the keeper into the battery compartment slots and press the keeper tightly against batteries.

