

INSTALLATION INSTRUCTIONS

1561 DOOR RELEASE

Wall Mounted Application

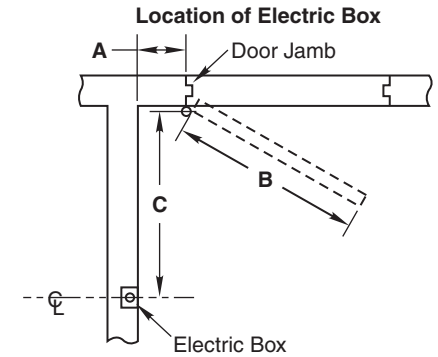
SARGENT

ASSA ABLOY

For installation assistance, contact SARGENT at 800-727-5477 • www.sargentlock.com

- Use table to locate electric box.
- Determine door width (Dim "B"). Measure pivot centerline to wall (Dim. "A").
Find dimension "C" in table.
Example: Pivot centerline to wall ("A") = 10" (254mm)
Door Width ("B") = 36" (914mm)
Electric Box Centerline ("C") = 33" (838mm)
- If "A" or "B" falls between the numbers listed in table, allow for difference.
Example: Pivot centerline to wall ("A") = 7" (178mm)
Door Width ("B") = 36" (914mm)
Electric Box Centerline ("C") = 33-5/8" (854mm)

- If dimensions "A" and "B" intersect in shaded area of table DO NOT INSTALL electric box. The degree of door opening will not permit proper alignment between armature and wall magnet.
- Vertical location to be determined by others. Suggested height is 2' to 4' (610mm to 1219mm) from floor and/or not over 6' (1829mm).
- Check degree of door opening in table and coordinate with door closers and other door hardware.



"A" – Pivot Centerline to Wall
"B" – Door Width
"C" – Pivot Centerline to Electric Box Centerline

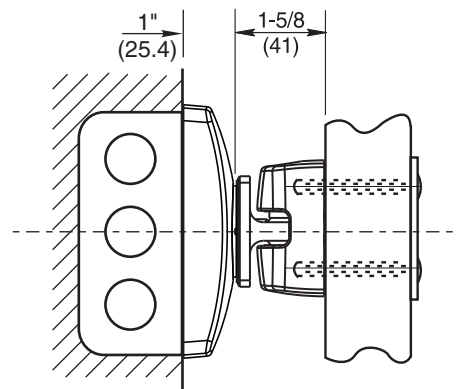
Dim. "A"	Door Width "B"																							
	28" (711)		30" (762)		32" (813)		34" (864)		36" (914)		38" (965)		40" (1016)		42" (1067)		44" (1118)		46" (1168)		48" (1219)			
"C"	Deg.	"C"	Deg.	"C"	Deg.	"C"	Deg.	"C"	Deg.	"C"	Deg.	"C"	Deg.	"C"	Deg.	"C"	Deg.	"C"	Deg.	"C"	Deg.	"C"	Deg.	
2" (51)	26" (660)	92°	28" (711)	92°	29-7/8 (759)	92°	32" (813)	93°	34-1/8 (867)	93°	36" (914)	92°	37-7/8 (962)	92°	40" (1016)	93°	42" (1067)	93°	43-7/8 (1114)	92°	45-5/8 (1159)	92°		
4" (102)	26" (660)	97°	28" (711)	96°	29-7/8 (759)	96°	32" (813)	95°	34-1/8 (867)	95°	36" (914)	95°	37-7/8 (962)	95°	40" (1016)	95°	42" (1067)	95°	43-7/8 (1114)	94°	45-5/8 (1159)	94°		
6" (152)	25-5/8 (651)	102°	27-5/8 (702)	101°	29-5/8 (752)	101°	31-3/4 (806)	99°	33-3/4 (857)	98°	35-3/4 (908)	97°	37-3/4 (959)	97°	39-7/8 (1012)	97°	41-7/8 (1063)	97°	43-3/4 (1111)	97°	45-1/2 (1155)	97°		
8" (203)	25-1/8 (638)	106°	27-1/4 (692)	105°	29-1/4 (743)	104°	31-3/8 (797)	103°	33-1/2 (851)	102°	35-1/2 (902)	101°	37-3/8 (949)	101°	39-1/2 (1003)	101°	41-1/2 (1054)	101°	43-3/8 (1102)	100°	45-1/4 (1149)	99°		
							31 (787)	105°	33" (838)	106°	35" (889)	105°	37" (940)	104°	39-1/8 (994)	104°	41-1/8 (1045)	104°	43-1/8 (1095)	103°	45 (1143)	102°		
																			42-5/8 (1082)	105°	44-1/2 (1130)	104°		

Dimensions given in inches (mm).

All electric box anchoring shall withstand 50 lbs of pull or push force.

Verify line voltage.

See Page 2 to complete this installation.



REV-2

INSTALLATION INSTRUCTIONS

1561 DOOR RELEASE

Wall Mounted Application

For installation assistance, contact SARGENT at 800-727-5477 • www.sargentlock.com

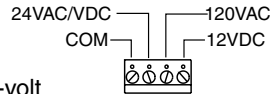
SARGENT

ASSA ABLOY

1 See Page 1 for electric box location.

2 Mount electric box to wall.

3 Connect power.

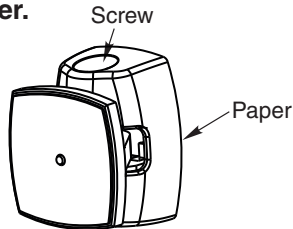


- For coils that are tri-volt put ground wire in "Com". Put power wire in correct voltage slot on strip.
- For coils with two wires attach one wire to ground. Attach one wire to power. Coil is non-polarized so it doesn't matter which wire is attached to which.

4 Attach cover & magnet mounting bracket assembly to electric box.

5 Loosen contact plate adjustment screw.

6 Remove paper.



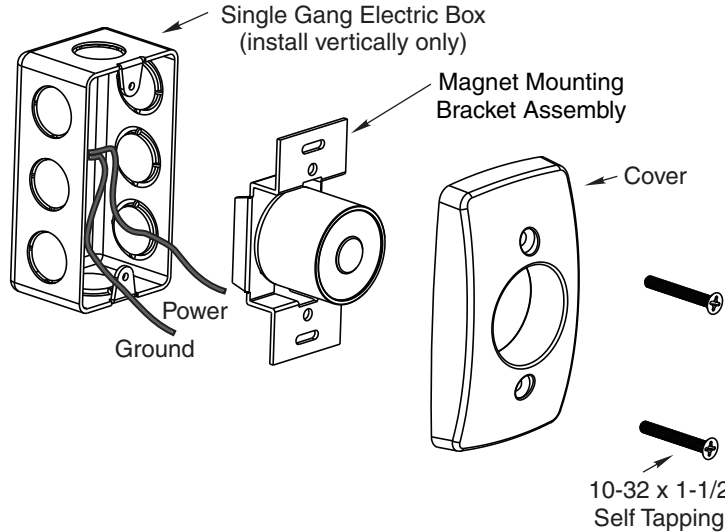
7 Turn power on.

8 Place armature flat on coil. Make sure round solenoid is completely covered by contact plate.
** If coil cannot be energized yet, hand hold contact plate on magnet and complete next steps.

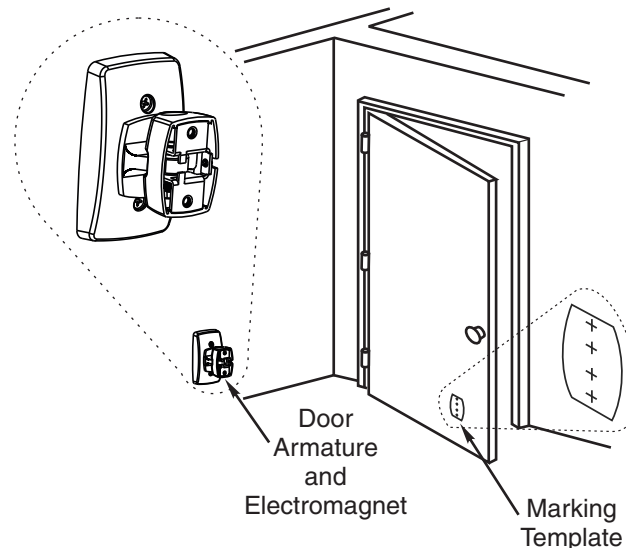
9 Open door against armature on wall.

10 Tighten contact plate on armature.

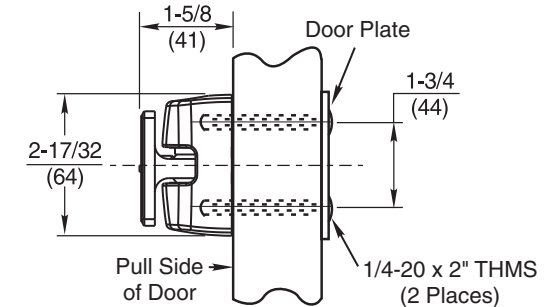
11 Pull door away leaving mounting template sticking to face of door.



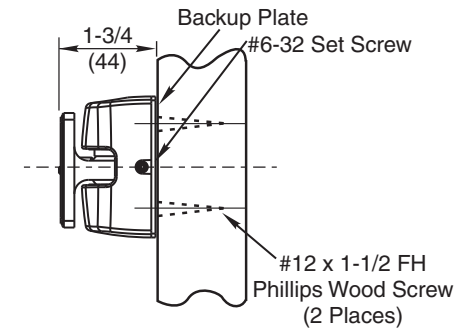
CAUTION: Nicks and scratches on the metal ring of the coil will lessen or diminish the holding force of the magnet. Do not remove protective cap until last steps of installation.



12 Select Thru Bolt or Surface mounting option.



Thru Bolt Mounting
Recommended for Hollow Metal, Hollow Core or Composite Type Wood Doors



Surface Applied Concealed Mounting
Recommended for Solid Wood Doors Only

13 Affix to door.

REV-2