

## Tools Needed



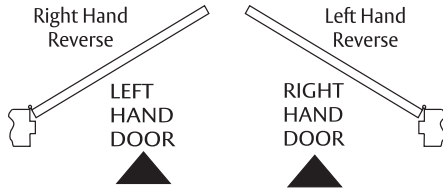
Adjustable  
Wrench

# FRICITION HOLD OPEN ADJUSTMENT H & UH ARMS

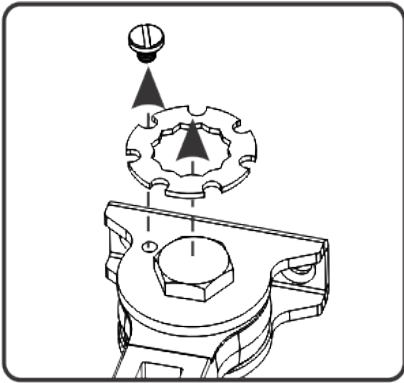
**SARGENT**  
**ASSA ABLOY**

## Step 1: Identify Door Handing

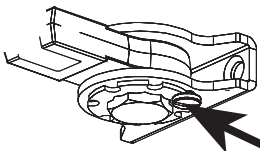
### To Determine Your Hand of Door:



## Step 2: Remove Dial and Screw



## IMPORTANT!!: Install Hex Facing Down in ALL Applications



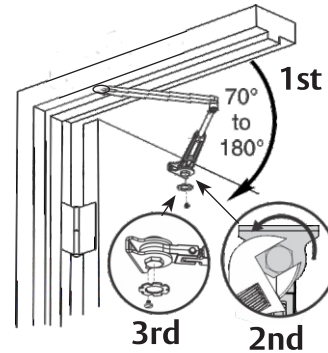
- Dial/Hex Head **DOWN** in **ALL** Applications
- Parallel, Regular and Top Jamb
- Right Hand and Left Hand Doors



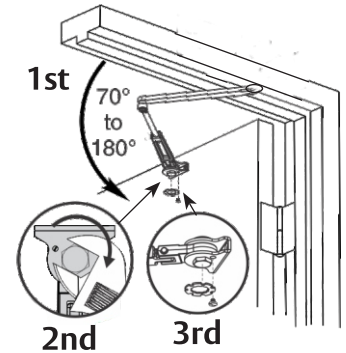
## Step 3: Set Hold Open Angle

### Double Lever Arm

 Keep door open in position until dial screw secures dial.



LH: Counter clockwise to tighten.



RH: Clockwise to tighten.