

351 Series

Non Handed Door Closer

Standard Mount
Top Jamb Mount
Parallel Arm Mount

Hold Open Arm Models

Adjustable (Sizes 1-6)

25-H

25-HZ

25-HZA

25-PH9



SARGENT®

ASSA ABLOY

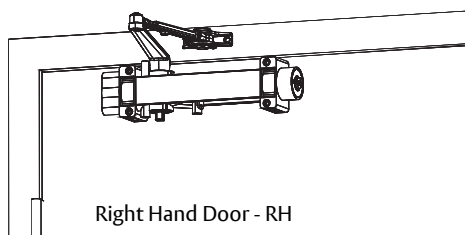
! WARNING

This product can expose you to lead which is known to the state of California to cause cancer and birth defects or other reproductive harm. For more information go to www.P65warnings.ca.gov.

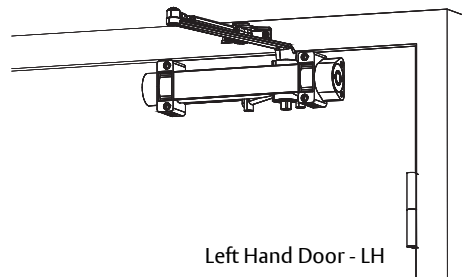
Ce produit peut vous exposer au plomb qui, dans l'état de la Californie, est reconnu pour causer le cancer, des anomalies congénitales ou d'autres problèmes de reproduction. Pour plus d'informations, visitez: www.P65warnings.ca.gov.

Standard Mount

Closer mounts on hinge side of door



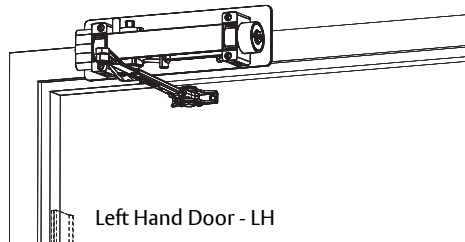
Right Hand Door - RH



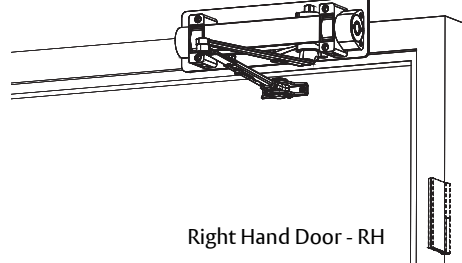
Left Hand Door - LH

Top Jamb Mount

Closer mounts on frame of stop side of door



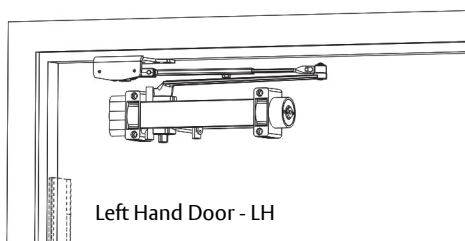
Left Hand Door - LH



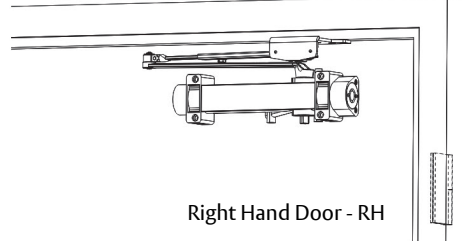
Right Hand Door - RH

Parallel Arm Mount

Closer mounts on stop side of door

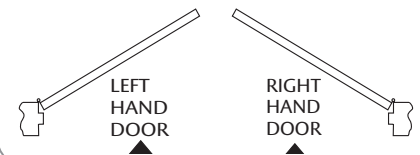


Left Hand Door - LH



Right Hand Door - RH

To Determine Your Hand of Door:



To Identify Your Closer:



Model ID:
+ = optional DA

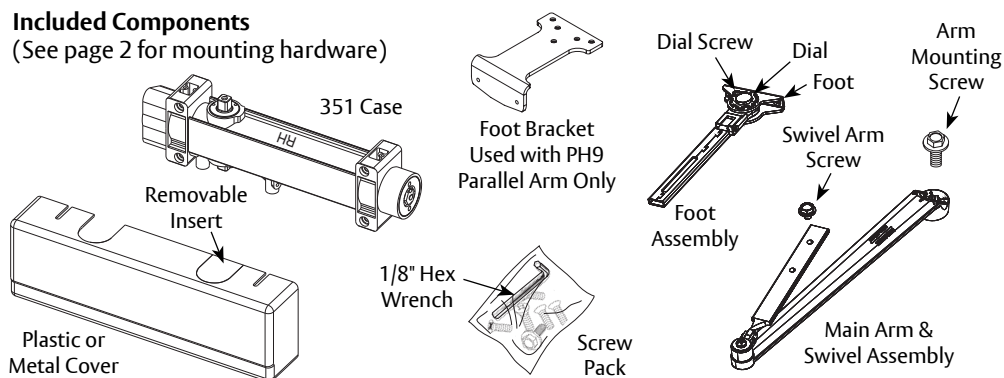
Manufacture Date:
Week / Year

Tools Needed

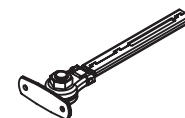


Included Components

(See page 2 for mounting hardware)



Legacy Friction Hold Open Arm



Note: Legacy FHO arm has installation orientation. See 80-9300-0005-000, available online.

H8 Mortise Friction Hold Open Arm

Note: H8 arm is handed same as door. See template A7233, available online.

PH4 Friction Hold Open Arm

Note: PH4 parallel arm is used for flush frame applications. See template A7229, available online.

351 Hold Open Closer

SARGENT®



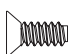

ASSA ABLOY

ATTENTION:

An incorrectly installed or improperly adjusted door closer can cause property damage or personal injury. These installation instructions should be followed to avoid the possibility of misapplication or misadjustment.

- For special applications, a separate door and frame preparation template is packed with these instructions. Use this instruction sheet for installation sequence and closer adjustments only.
- Doors should be hung on ball bearing or anti-friction hinges.
- A separate door stop is recommended.

- Always consult door/frame manufacturer for fastener compatibility.
- Door and frame must be properly reinforced.
- Adjust closing time speed between 3 and 6 seconds from 90° to Close. Greater closing times may be required for elderly or handicapped.
- DO NOT install closer on exposed side (weather side) of exterior doors. **Warranty will be void.**
- Dimensions are given in inches (millimeters).

*Mounting Hardware		Door or Frame	Drill
	Case, Foot or Optional PH9 Bracket: #12 x 1-1/2 Phillips Flat Head Self Drilling Tapping Screw	Wood	3/32" (2.38mm)
	Case, Foot or Optional PH9 Bracket: #12 x 1-1/2 Phillips Flat Head Wood Screw		
	Case, Foot or Optional PH9 Bracket: #12-24 x 5/8 Phillips Flat Head Machine Screw	Metal	Drill #16 (.177) Tap 12-24
	Case and/or Foot: Mortise Nut (optional)	Hollow Metal	1/4" (6.00mm) thru 3/8" (9.50mm) door face opposite to closer
		Aluminum or Wood	3/8" (9.50mm) thru

* Security Torx screws supplied upon request, not shown

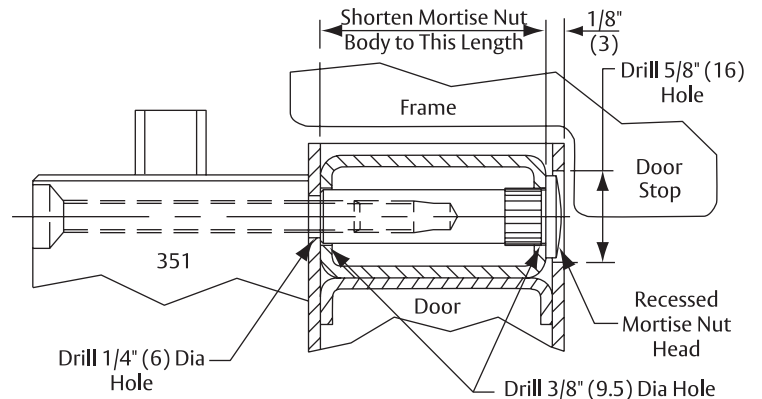
Mortise Nut and Screw Detail

Top jamb application: Door closer foot will be attached to the door in a manner similar to that shown for mounting the case.

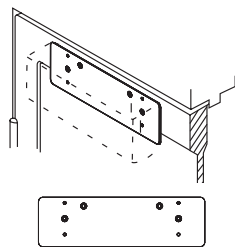
Appropriate mortise nuts and screws will be supplied based on door thickness.

Door construction must provide a bridge type reinforcement to prevent the door rail from collapsing when screws are tightened.

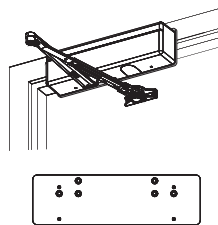
If distance between door stop and center of mortise nut head is less than 7/8" (22mm), stop must be cut to clear head or head must be recessed (shown).



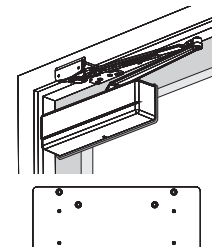
Accessories



351A Mounting Plate
Allows mounting onto a door with a minimum top rail of 2-3/8" (60) or top jamb with 1-3/4" (44) minimum frame clearance



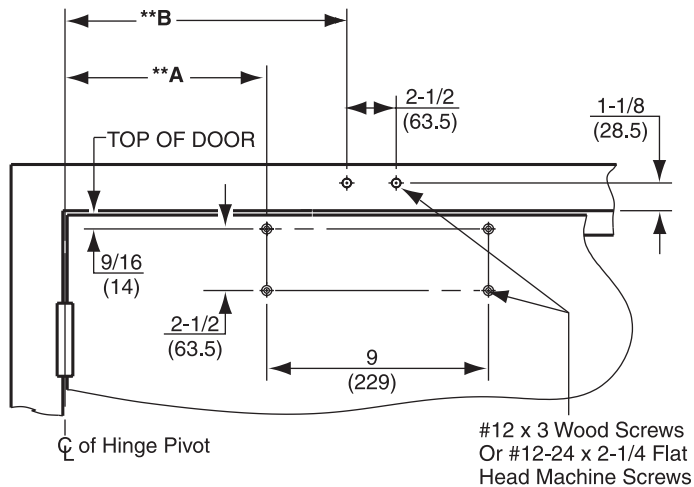
351B Mounting Plate
Top Jamb Mount
For low ceiling conditions or minimum 1-15/16" (49) frame face



351D Drop Plate
Parallel Arm Mount
For narrow top rail conditions 3" (76) minimum top rail required

351 Standard Mount - H Arm Installation (Right Hand Shown)

1. Prepare door and frame.

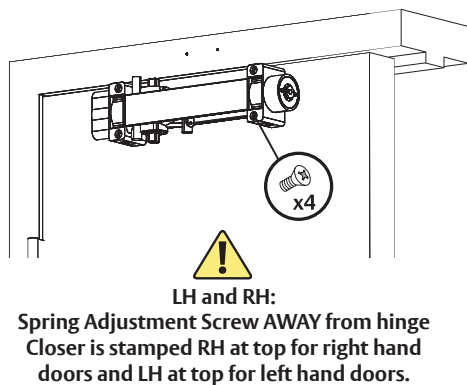


Arm Type	Mounting	Max Door Opening	**Dim A	**Dim B
H Holder	Standard	110°	9-1/2" (241)	12-3/4" (324)
	Alternate	*160°	6-1/2" (165)	9-3/4" (248)

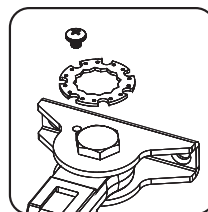
NOTES:

- IMPORTANT: Use Alternate mounting if door can open beyond limits shown for standard mounting.
- *If butt, frame, and wall conditions permit, door will open 180°.
- ** Dimension is taken from hinge edge of door for invisible hinges. Butt, offset, swing clear, center hung or invisible hinges.
- Use screws provided or use mortise nuts when required. See chart on page 2.

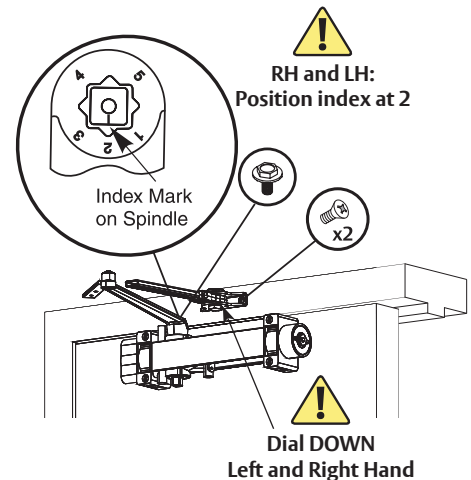
2. Mount case to door.



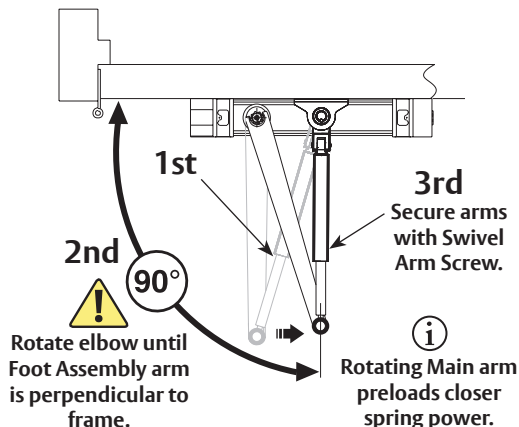
3a. Remove dial from foot.



3b. Install separate arms.

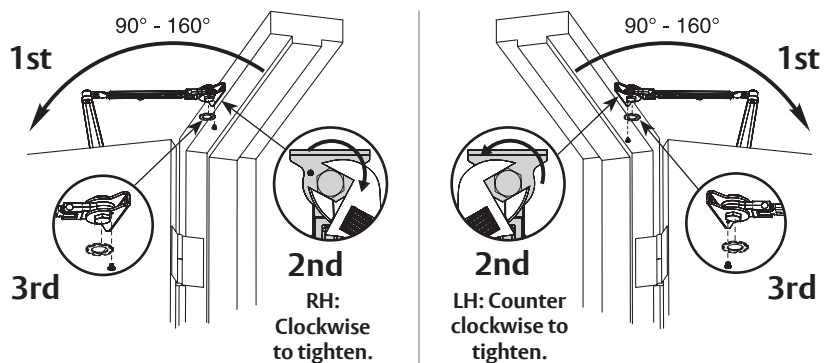


4. Connect arms, preload spring and tighten screw.



5. Set Hold Open.

! Keep door open in position until dial screw secures dial.



You've installed the 351 Hold Open Closer - Standard Mount.

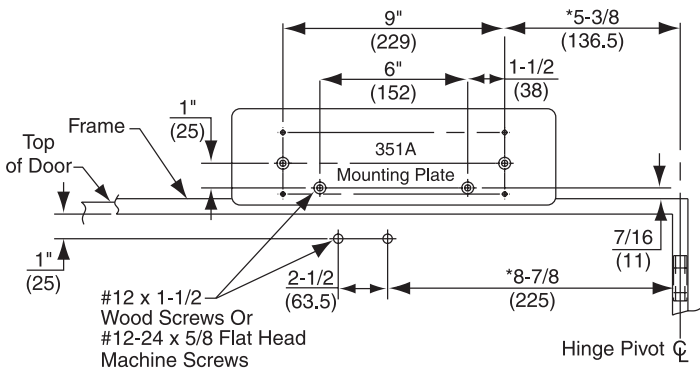
● Go to page 7 for closer adjustments and cover installation.

351 Top Jamb Mount - H, HZ, HZA Arm Installation (Right Hand Shown)

SARGENT

ASSA ABLOY

1. Prepare door and frame.

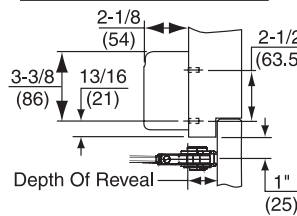


Arm Type	Reveal Depth	**Door Opening
H Arm	0" to 2" (0 to 51)	140°
HZ Arm	2-1/8" to 5" (54 to 127)	140°
HZA Arm	5-1/8" to 8" (130 to 203)	140°

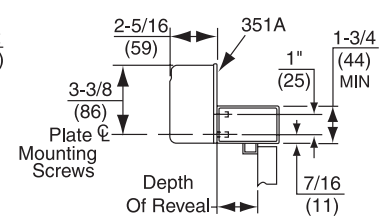
NOTES:

- * Dimension is taken from hinge edge of door for invisible hinges.
- ** Door opening to 180° is possible if depth of reveal is not greater than 2" (51).
- 351A Mounting Plate required for double rabbeted frame.
- Use screws provided or use mortise nuts when required. See chart on page 2.

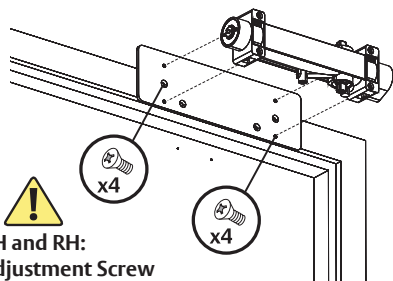
Single Rabbeted Frame



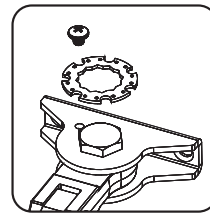
Double Rabbeted Frame



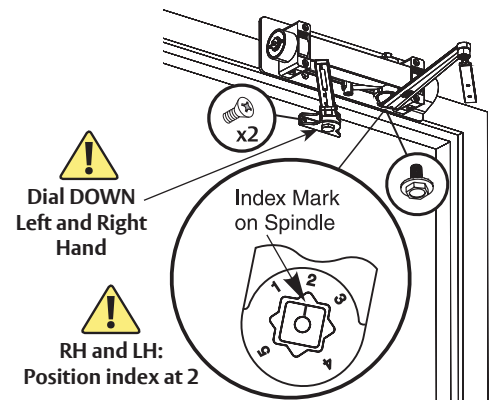
2. Mount case to frame. Use Mounting Plate if necessary.



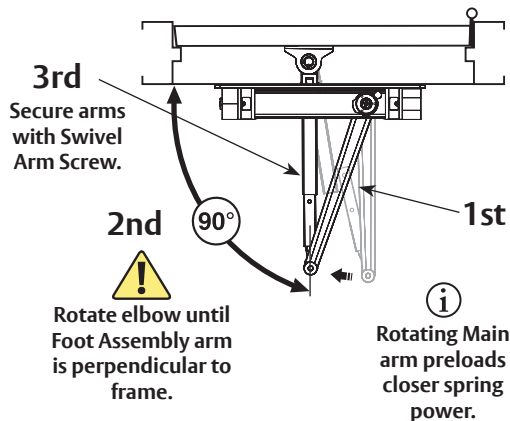
3a. Remove dial from foot.



3b. Install separate arms.



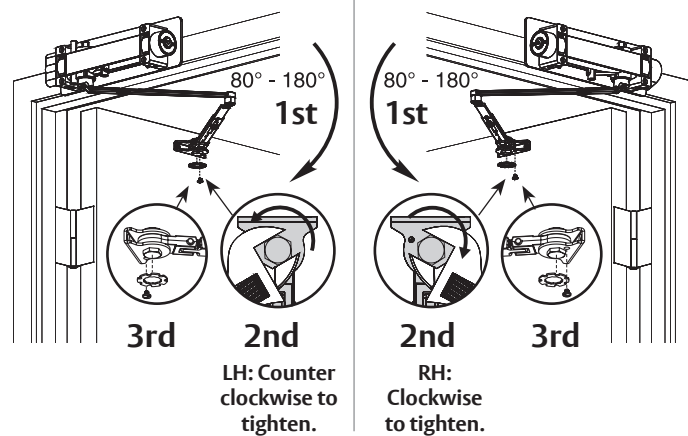
4. Connect arms, preload spring and tighten screw.



5. Set Hold Open.



Keep door open in position until dial screw secures dial.

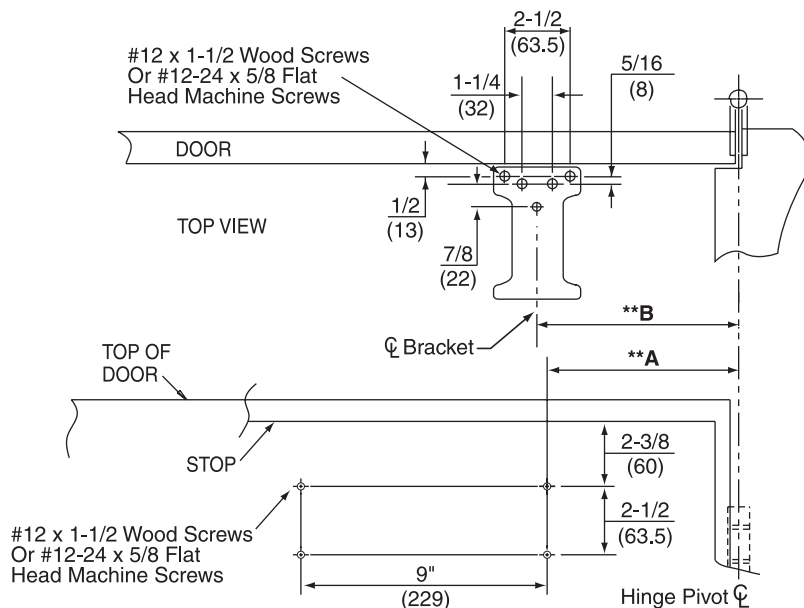


You've now installed the 351 Hold Open Closer - Top Jamb Mount.

● Go to page 7 for closer adjustments and cover installation.

351 Parallel Arm Mount - PH9 Arm Installation (Right Hand Shown)

1. Prepare door and frame.

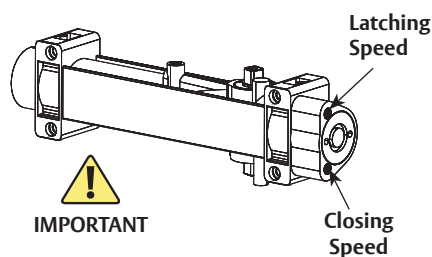


Max Door Opening	**Dim A	**Dim B
120°	9-7/8" (251)	10-1/4" (260)
*180°	7" (178)	7-3/8" (187)

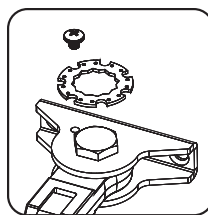
NOTES:

- *Do not use this mounting for swing clear hinges.
- ** Dimension is taken from hinge edge of door for invisible hinges.
- Use screws provided or use mortise nuts when required. See chart on page 2.

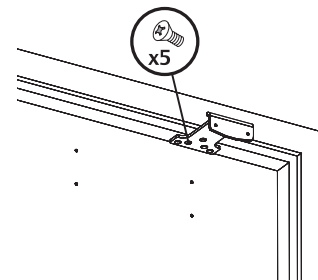
2. Close latching speed and closing speed valves.



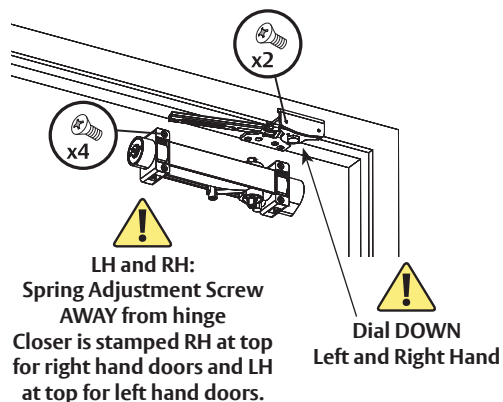
3. Remove dial from foot.



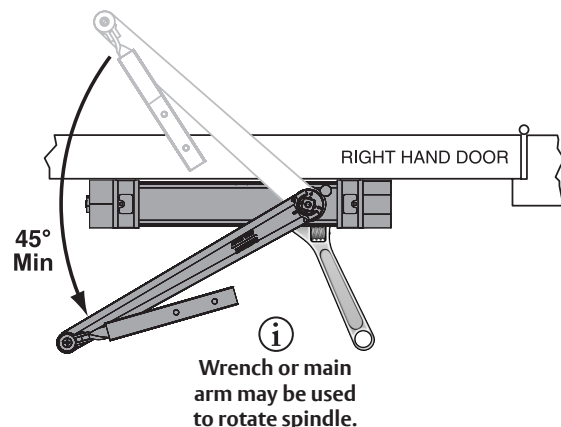
4. Install foot bracket to frame stop.



5. Install foot assembly to foot bracket and case to door.



6. Rotate bottom case spindle.

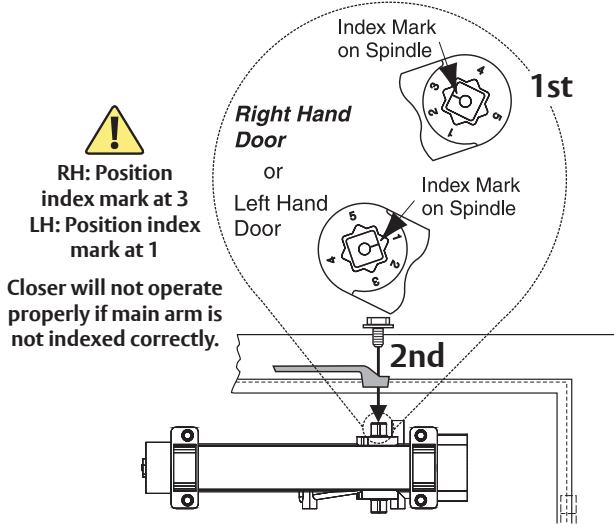


351 Parallel Arm Mount - PH9 Arm Installation continued (Right Hand Shown)

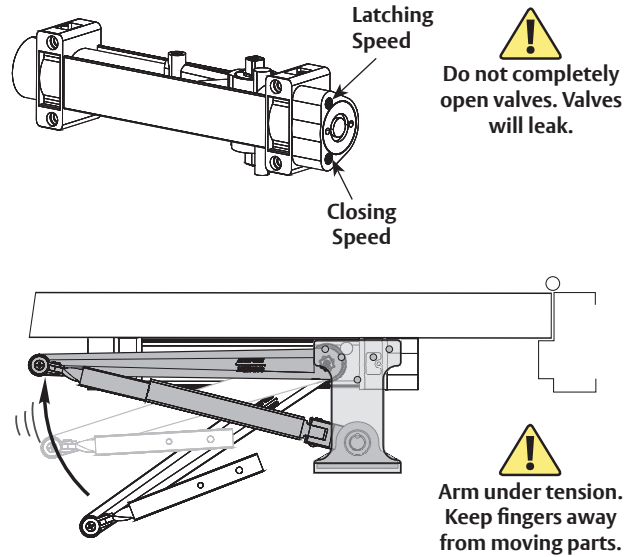
SARGENT

ASSA ABLOY

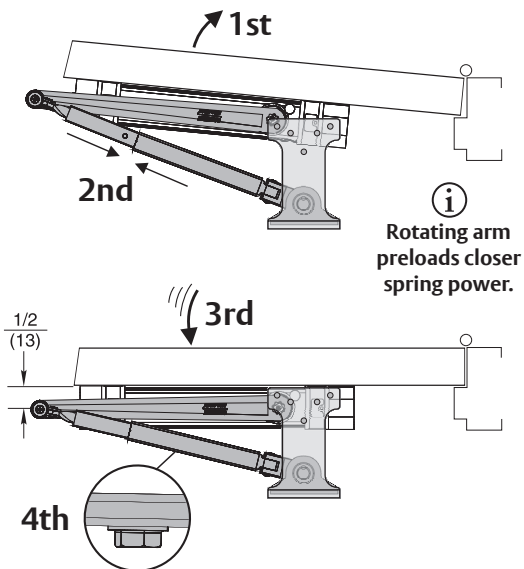
7. Attach Main arm as shown.



8. Open latching speed and closing speed valves.



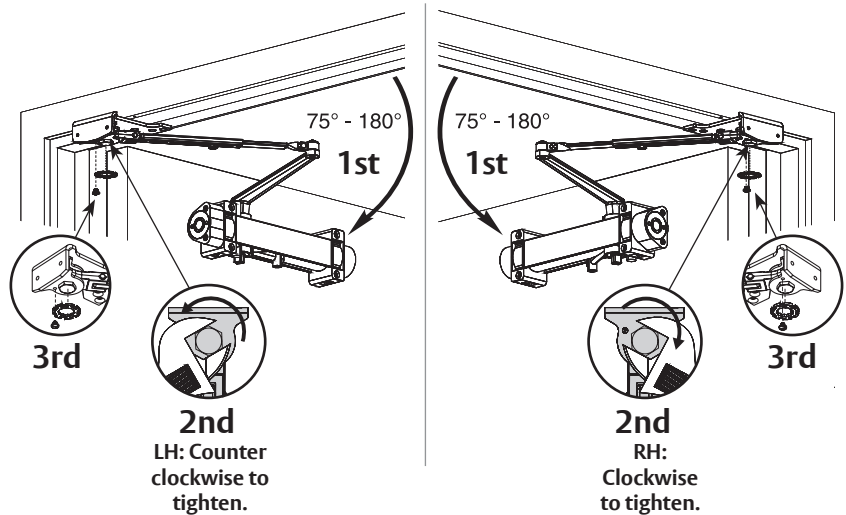
9. Connect arms, preload spring and tighten swivel arm screw.



10. Set Hold Open.



Keep door open in position until dial screw secures dial.



You've now installed the 351 Hold Open Closer - Parallel Arm Mount.

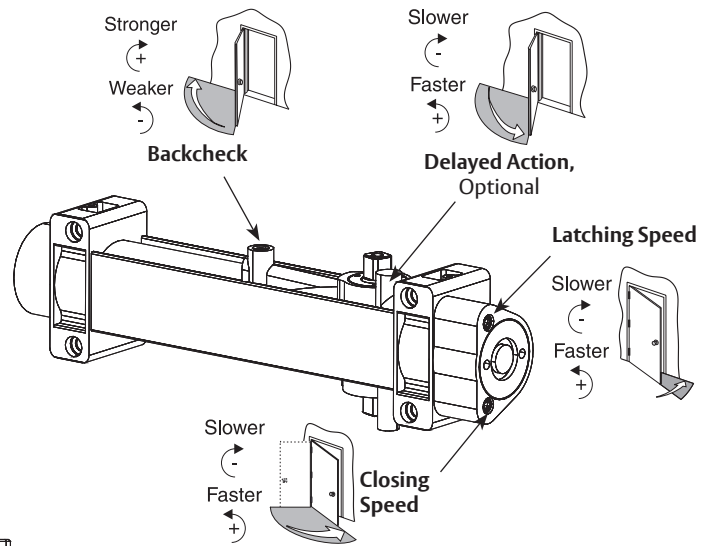
● Go to page 7 for closer adjustments and cover installation.

351 Hold Open Closer

Closer Adjustments



Use provided 1/8" hex wrench to turn valves.
NEVER force valves out of closer.
NEVER completely close backcheck valve.
NEVER use backcheck as a door stop.

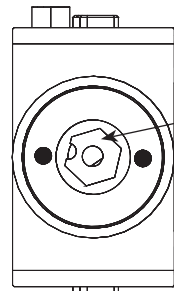


Door must be open to adjust spring closing power. Use 5/8" wrench or socket to turn screw. Refer to chart. Do not use a power drill. Warranty will be void.

Adjust closing time speed between 3 and 6 seconds from 90° to Close. Greater closing times may be required for elderly or handicapped.



If interior doors do not have to comply with ADA requirements, exterior door settings are recommended. Where strong drafts exist, increase spring power as needed by turning spring adjustment screw clockwise. If necessary, reduce spring power by turning screw counter clockwise.



Increase Power
+

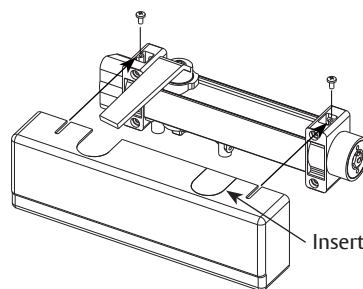
Decrease Power
-

Door Width	Exterior		Interior	
	Std/Top Jamb	Parallel	Std/Top Jamb	Parallel
24"	Factory Set	2-6 CW	1-5 CCW	1-5 CCW
30"	1-4 CW			
32"	4-7 CW	6-8 CW		
36"			8-11 CW	Factory Set
40"	7-10 CW	Factory Set		
42"			10-12 CW	1-5 CW
44"	11-13 CW			
46"		up to 18 CW	5 CW & up	8 CW & up
48"				
over 48"				

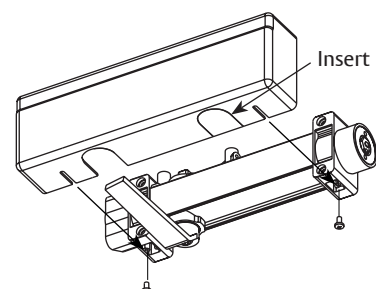
Cover Attachment



Do not over tighten cover screws. Place removable insert in unused cover opening.



Standard Mount shown
Parallel Arm Mount similar



Top Jamb Mount

The ASSA ABLOY Group is the global leader in access solutions. Every day we help people feel safe, secure and experience a more open world.

SARGENT
ASSA ABLOY

SARGENT Manufacturing Company
100 Sargent Drive
New Haven, CT 06511 USA
800-727-5477
www.sargentlock.com

Copyright © 2007, 2008, 2020, Sargent Manufacturing Company, an ASSA ABLOY Group company. All rights reserved. Reproduction in whole or in part without the express written permission of Sargent Manufacturing Company is prohibited.

Patent pending and/or patent: www.assaabloydss.com/patents

Approved 2020-01-21

A7341B