



Basic Wiring Diagrams

IP Bridge, RC-03, and RC-04

***Copyright © 2017, ISONAS
All rights reserved***

Table of Contents

IP BRIDGE

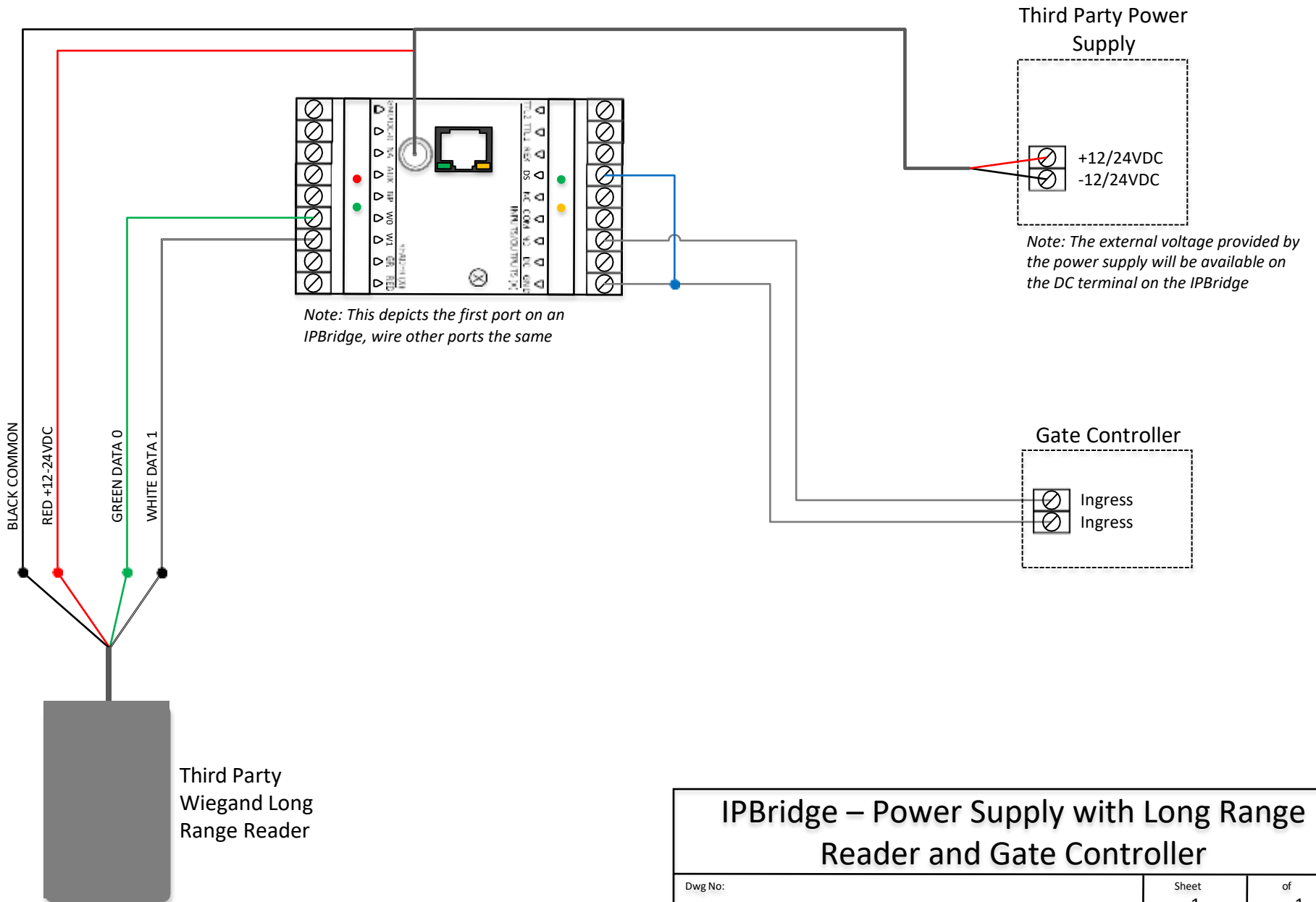
3. IPB.PwrSup.LRReader
4. IPB.PwrSup.Mag.REX.ExitButton.DSM
5. IPB.PwrSup.Mag.REX.ExitButton
6. IPB.PwrSup.Strike
7. IPB.PwrSup.Strike.REX.DSM

RC-03

8. RC-03.ADAIntegration
9. RC-03.AlarmOutput
10. RC-03.PoE.EDK.Strike
11. RC-03.PoE.Mag.REX.ExitButton.DSM
12. RC-03.PoE.Mag.REX.ExitButton
13. RC-03.PoE.Strike
14. RC-03.PoE.Strike.REX.DSM
15. RC-03.PwrSup.EDK.Mag.REX.ExitButton.DSM
16. RC-03.PwrSup.EDK.Mag.REX.ExitButton
17. RC-03.PwrSup.EDK.Strike
18. RC-03.PwrSup.Mag.REX.ExitButton
19. RC-03.PwrSup.Strike

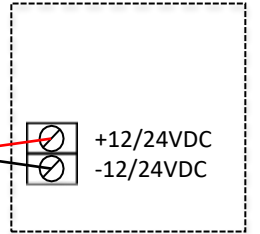
RC-04

20. RC-04.IntrusionDisarm
21. RC-04.PoE.Mag.REX.ExitButton.DSM
22. RC-04.PoE.Strike
23. RC-04.PoE.Strike.REX.DSM
24. RC-04.PoeSplit.EDK.Mag
25. RC-04.PwrSup.EDK.Mag.REX.ExitButton.DSM
26. RC-04.PwrSup.EDK.Strike.REX.DSM



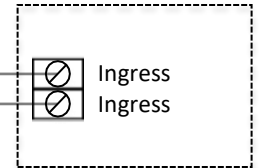
Note: This depicts the first port on an IPBridge, wire other ports the same

Third Party Power Supply



Note: The external voltage provided by the power supply will be available on the DC terminal on the IPBridge

Gate Controller



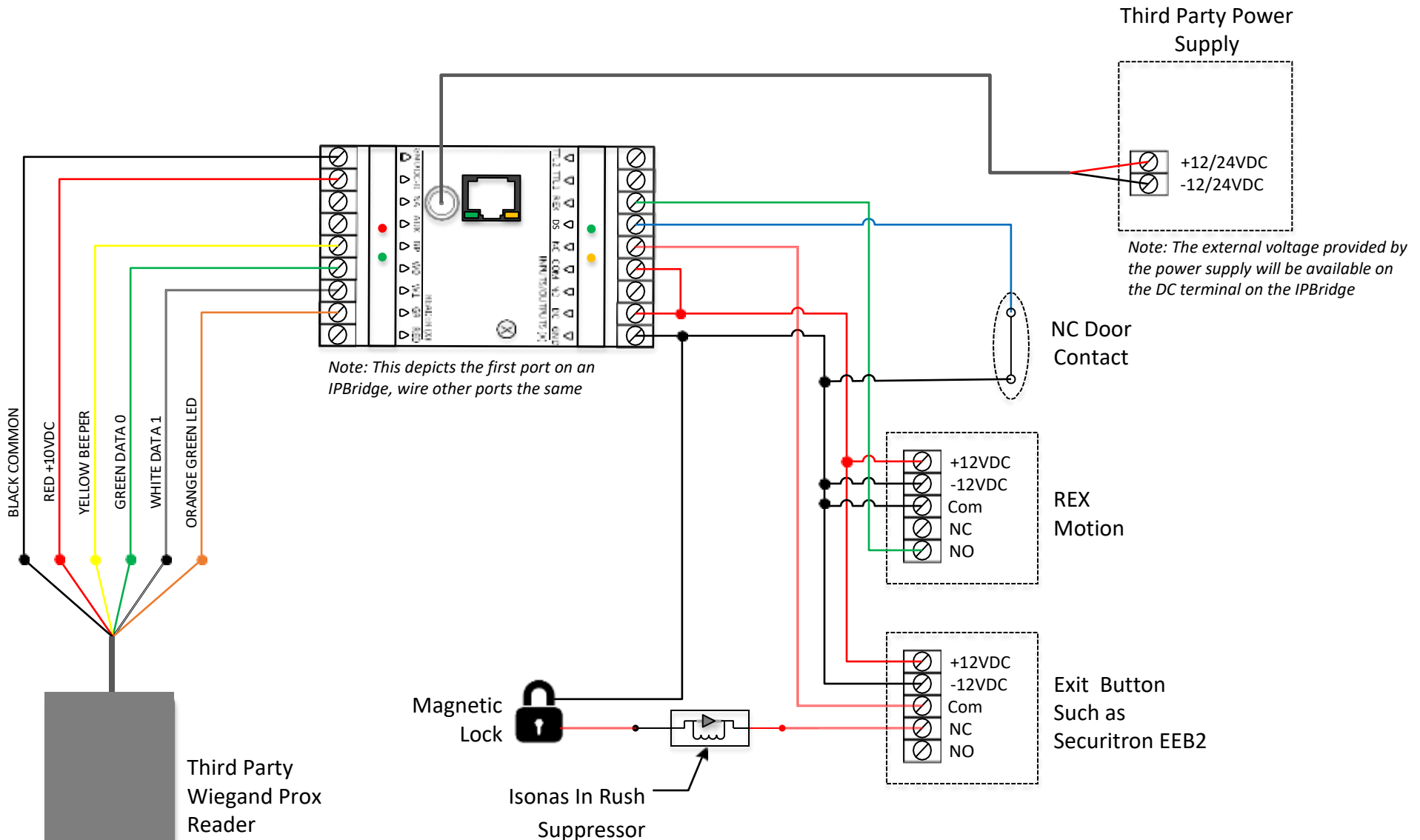
Note: At a minimum voltage and D0/ D1 must be connected to the IPBridge. The Beeper and Green LED are not necessary but helpful.

IPBridge – Power Supply with Long Range Reader and Gate Controller

Dwg No:	Sheet 1	of 1
Date: 5/20/16	Drawn By: Jason R Clement	Version: 1.00.00

ISONAS
PURE IP ACCESS CONTROL

4750 Walnut Street Suite 110
Boulder, CO 80301
www.isonas.com



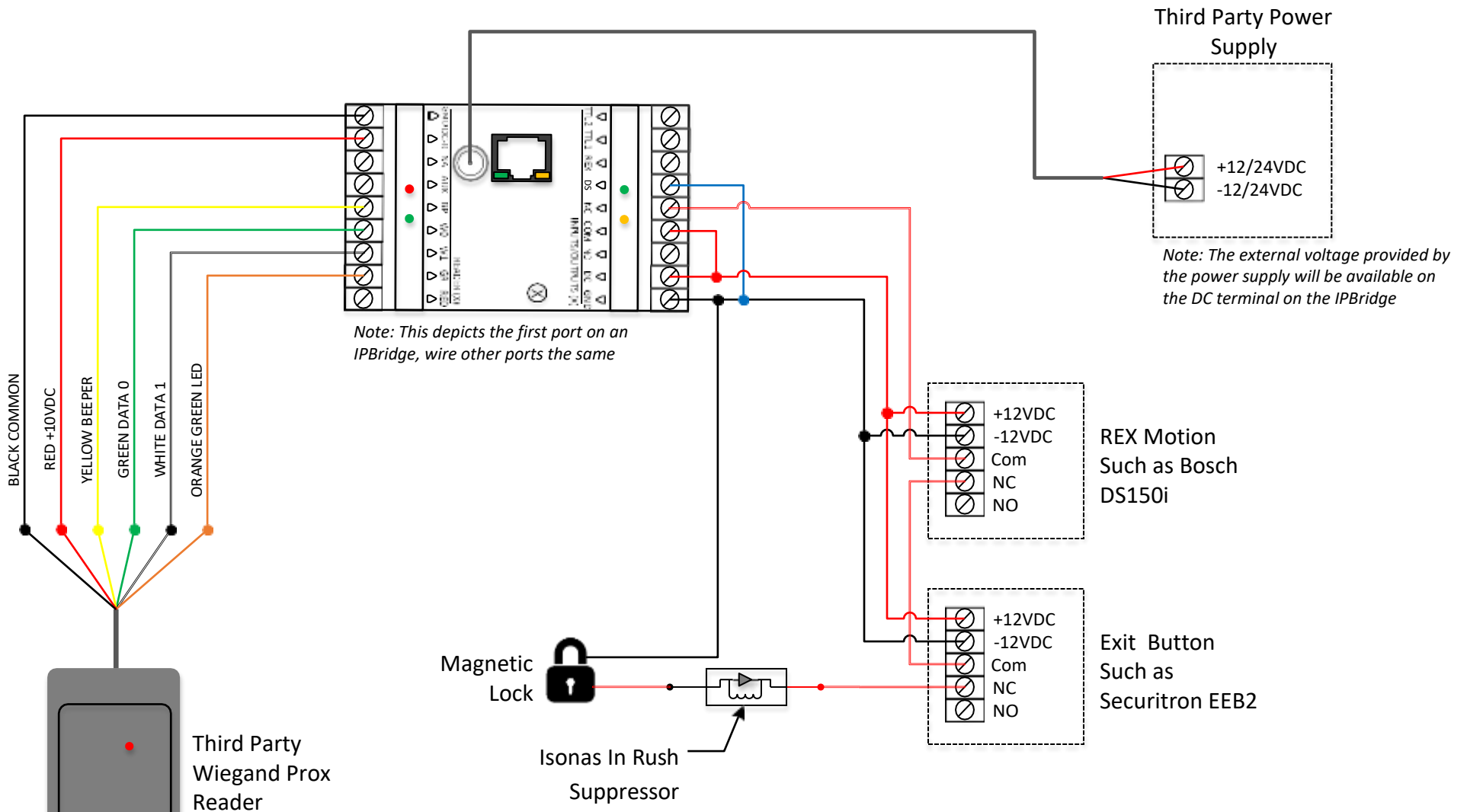
Note: At a minimum voltage and D0/D1 must be connected to the IPBridge. The Beeper and Green LED are not necessary but helpful.

IPBridge – Power Supply with Magnetic Lock, Exit Motion, Exit Button and Door Contact

Dwg No:	Sheet 1	of 1
Date: 3/1/2016	Drawn By: Jason R Clement	Version: 1.00.00

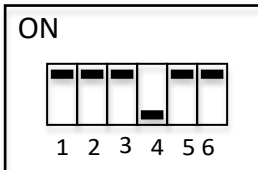
ISONAS
PURE IP ACCESS CONTROL

4750 Walnut Street Suite 110
Boulder, CO 80301
www.isonas.com



Note: At a minimum voltage and D0/D1 must be connected to the IPBridge. The Beeper and Green LED are not necessary but helpful.

DIP Switch Settings for DS150i



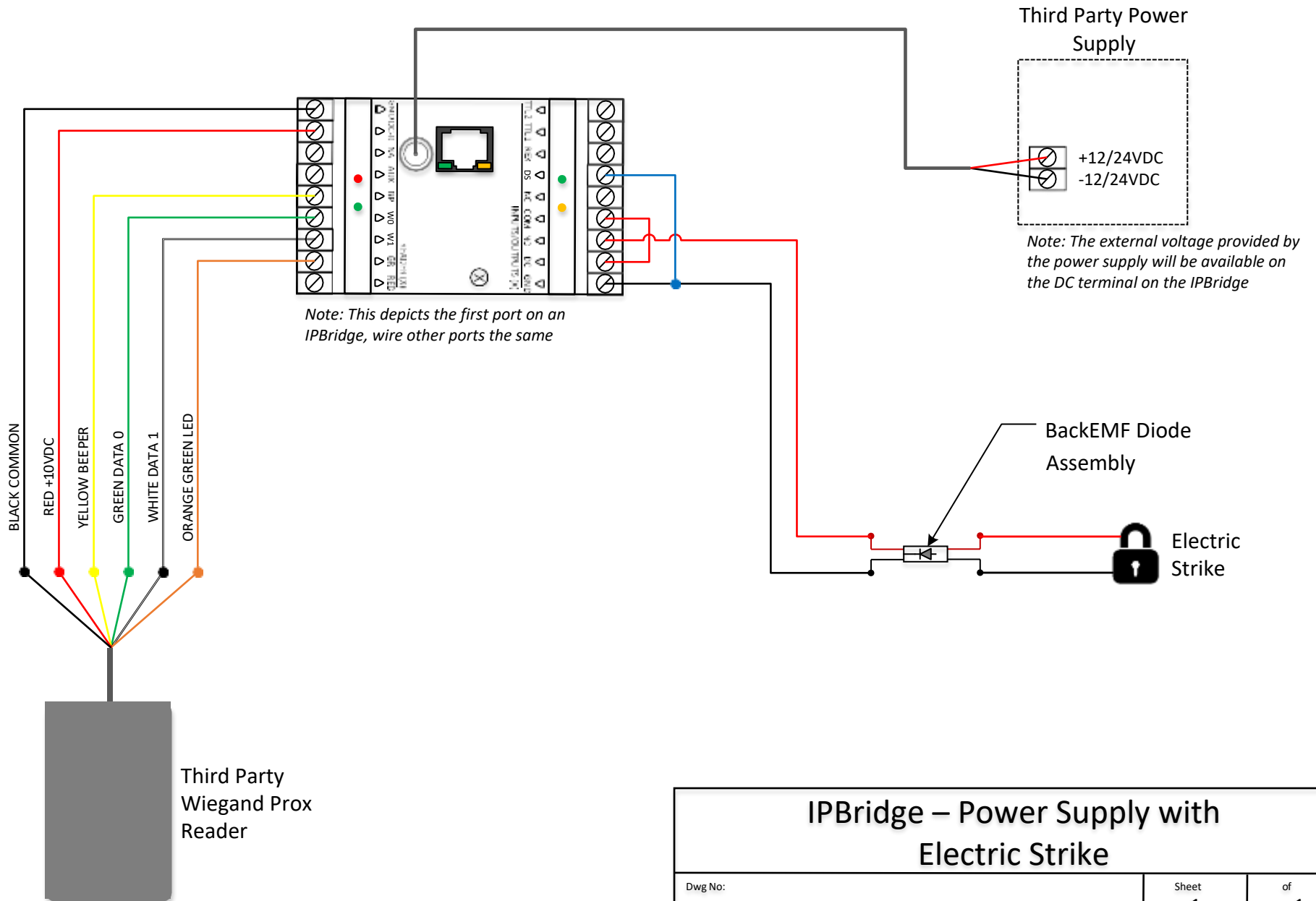
Note: These settings assume the relay timing resets with each trigger, set for fail safe and for a four second unlock. If other options are needed or another manufacturer is used please refer to their installation manual

IPBridge – Power Supply with Magnetic Lock, Exit Motion and Exit Button

Dwg No:	Sheet 1	of 1
Date: 3/1/2016	Drawn By: Jason R Clement	Version: 1.00.00



4750 Walnut Street Suite 110
Boulder, CO 80301
www.isonas.com



Note: At a minimum voltage and D0/D1 must be connected to the IPBridge. The Beeper and Green LED are not necessary but helpful.

IPBridge – Power Supply with Electric Strike

Dwg No:

Sheet
1

of
1

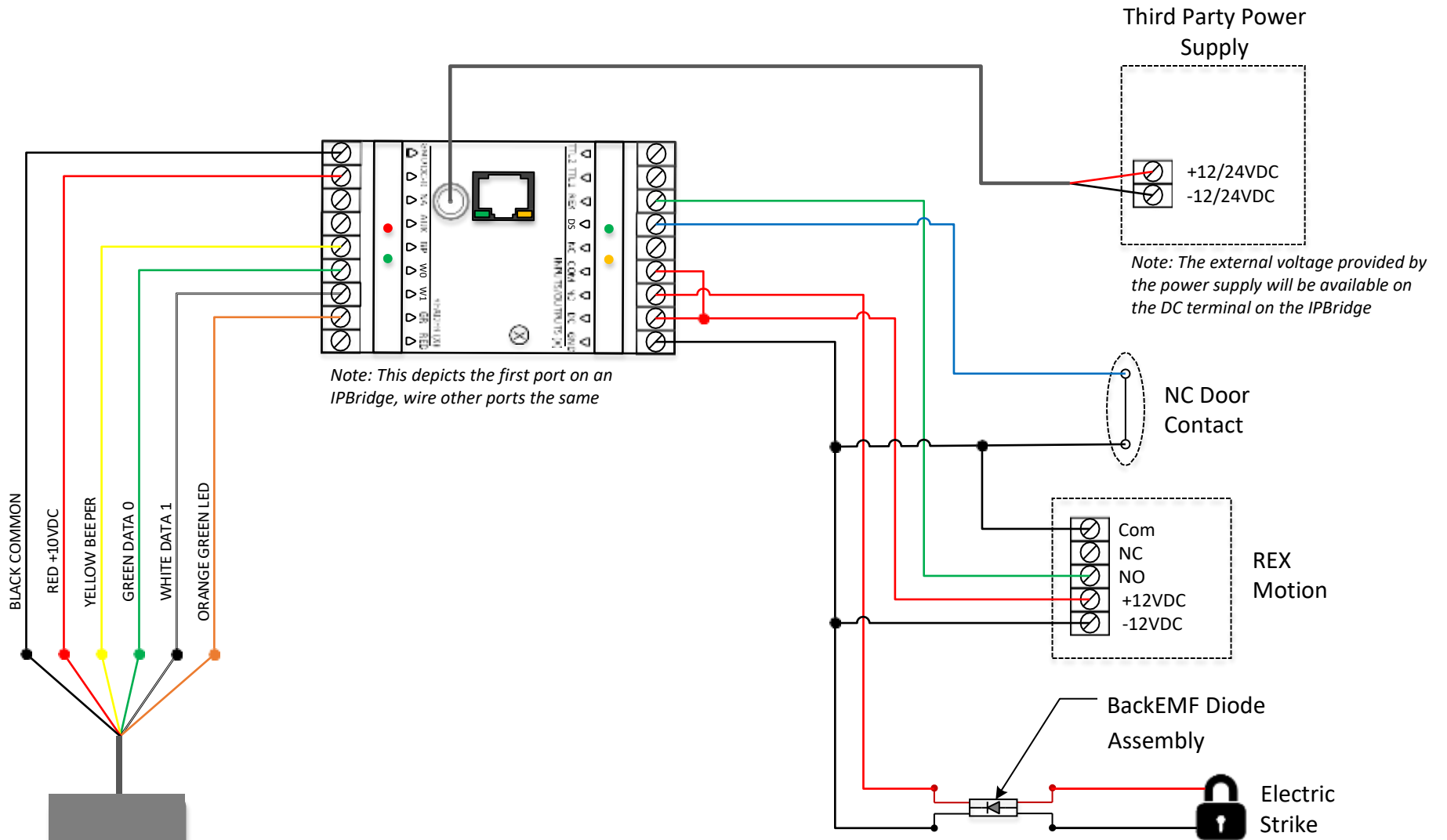
Date:
3/1/2016

Drawn By:
Jason R Clement

Version:
1.00.00

ISONAS
PURE IP ACCESS CONTROL

4750 Walnut Street Suite 110
Boulder, CO 80301
www.isonas.com



Note: This depicts the first port on an IPBridge, wire other ports the same

Note: The external voltage provided by the power supply will be available on the DC terminal on the IPBridge

BLACK COMMON
 RED +10VDC
 YELLOW BEEPER
 GREEN DATA 0
 WHITE DATA 1
 ORANGE GREEN LED

Third Party
 Wiegand Prox
 Reader

Note: At a minimum voltage and D0/
 D1 must be connected to the IPBridge.
 The Beeper and Green LED are not
 necessary but helpful.

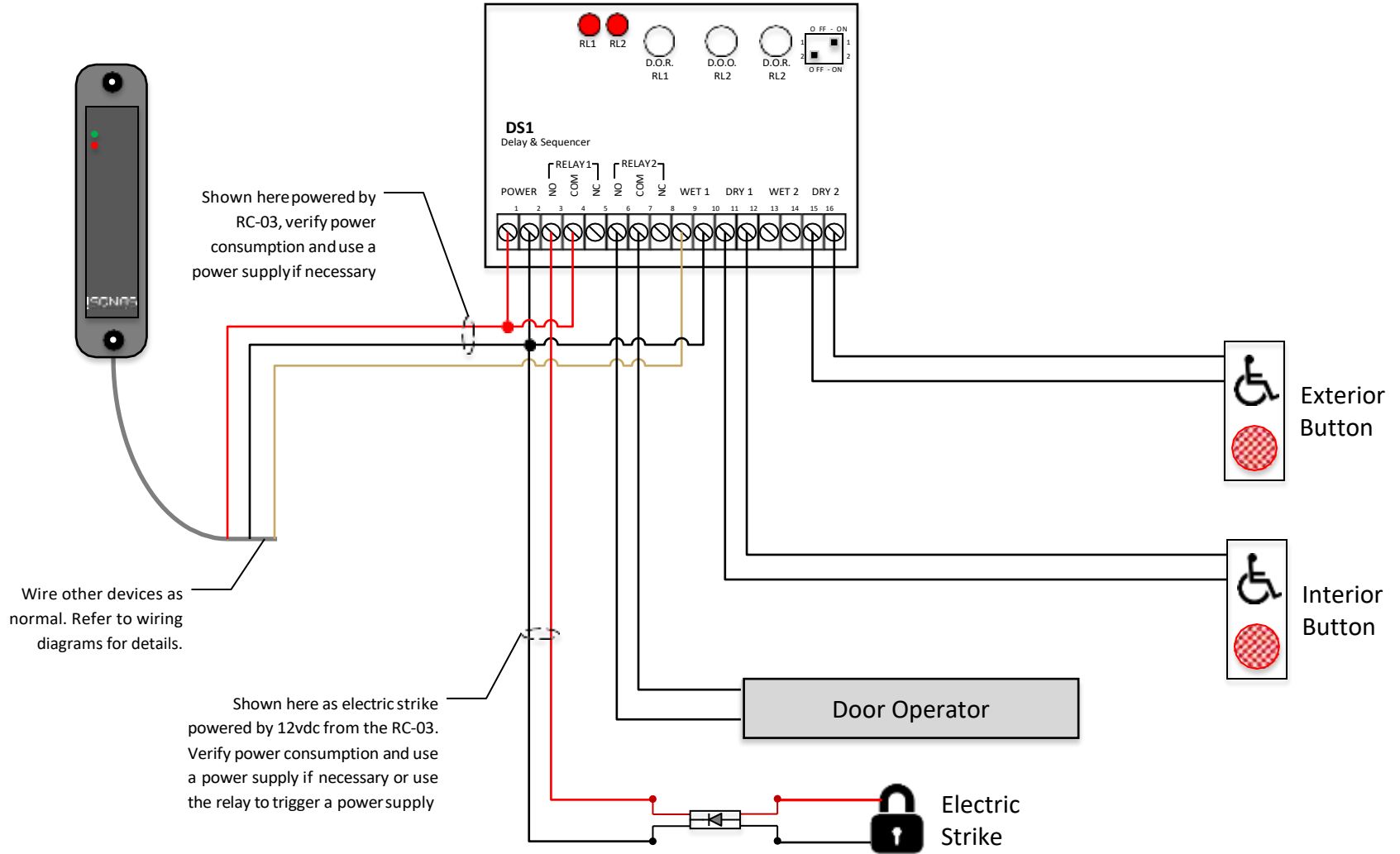
IPBridge – Power Supply with Electric Strike, Exit Motion and Door Contact

Dwg No:	Sheet 1	of 1
Date: 3/1/2016	Drawn By: Jason R Clement	Version: 1.00.00

ISONAS
 PURE IP ACCESS CONTROL

4750 Walnut Street Suite 110
 Boulder, CO 80301
 www.isonas.com

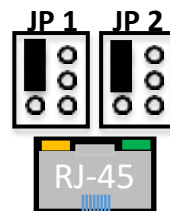
Command Access Technologies
Delay Sequencer Board Part DS1



Important – Read This First

- Always refer to manufacturer instructions, this drawing is a recommendation and site characteristics vary.
- When utilizing 12vdc from a PoE powered RC-03 verify power calculation to ensure enough power is available for all devices.
- Some adjustment of the timing will be necessary by adjusting the potentiometers, installing the device at default values will result in errors.
- Note dip switch settings for this configuration.

PowerNet RC
Jumper Positions

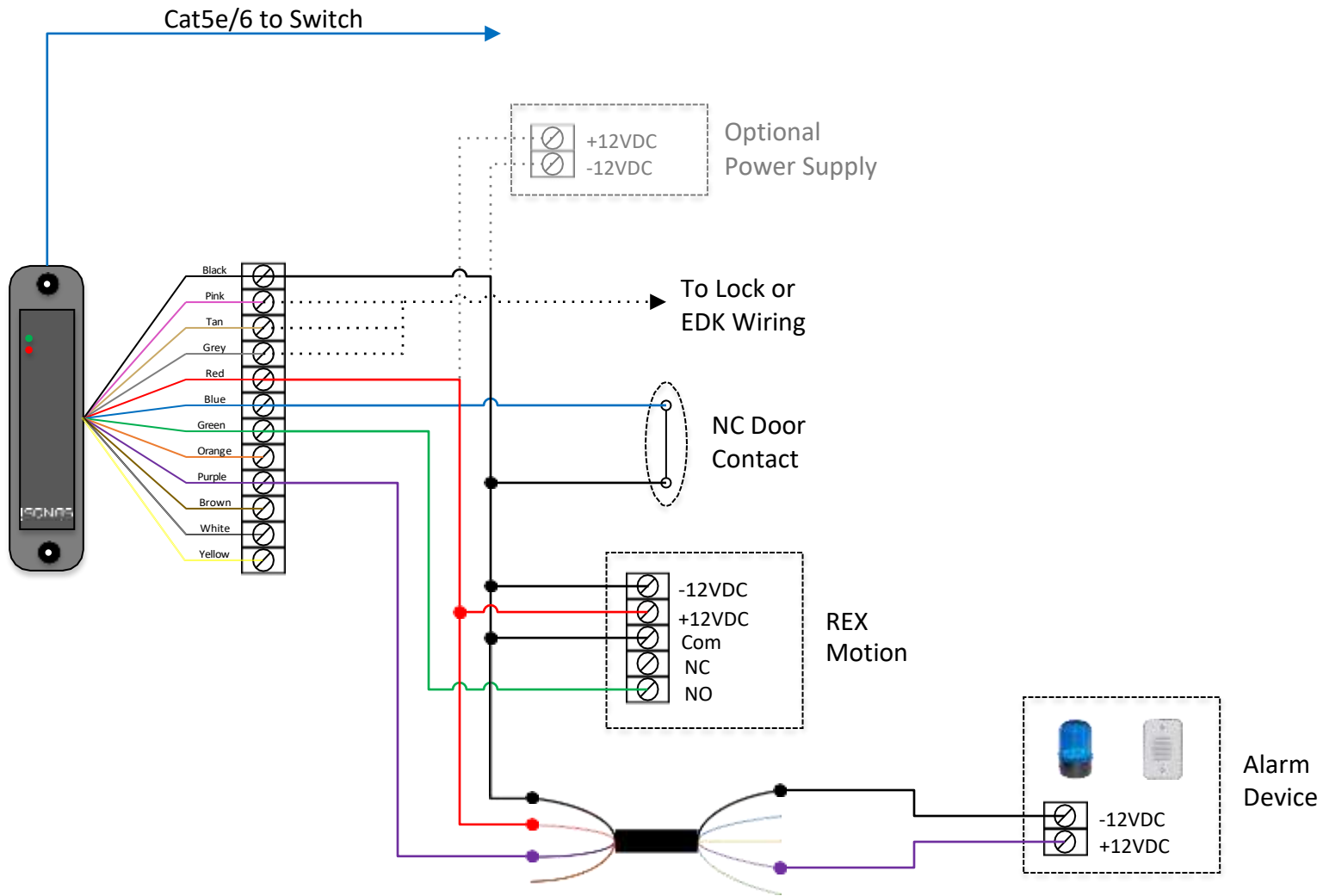


PowerNet – ADA Integration with
Command Access DS1 Board

Dwg No:	Sheet 1	of 1
Date: 3/2/2016	Drawn By: Jason R Clement	Version: 1.00.00



4750 Walnut Street Suite 110
Boulder, CO 80301
www.isonas.com

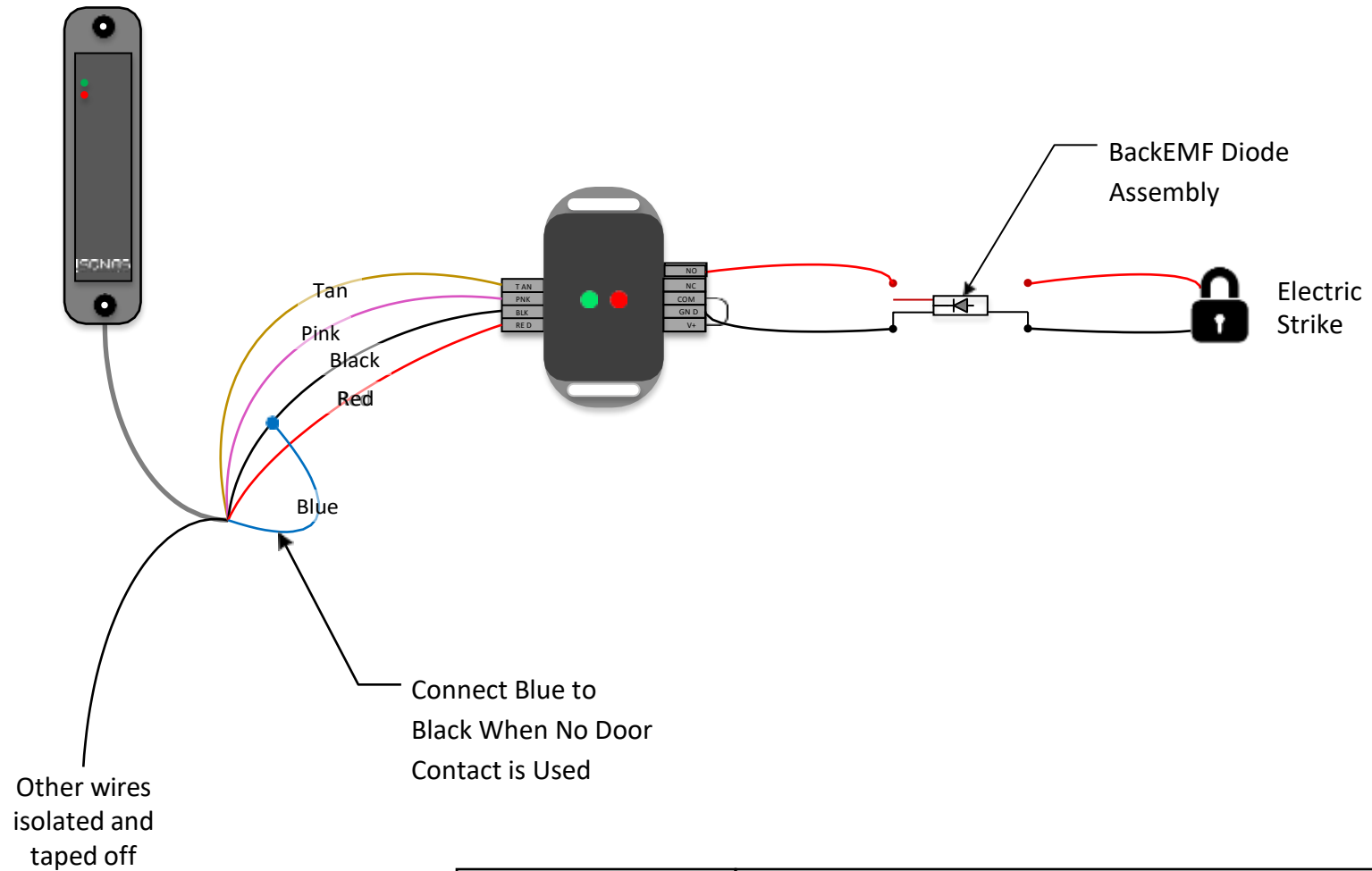


PowerNet – Typical RC-03 with SRM and Alarm Device Using TTL1

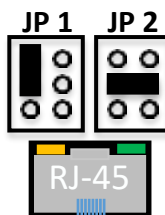
Dwg No:	Sheet 1	of 1
Date: 8/17/16	Drawn By: Jason R Clement	Version : 1.00.00



4750 Walnut Street Suite 110
Boulder, CO 80301
www.isonas.com



PowerNet RC
Jumper Positions



PowerNet – PoE with EDK and Electric Strike

Dwg No:

Sheet
1

of
1

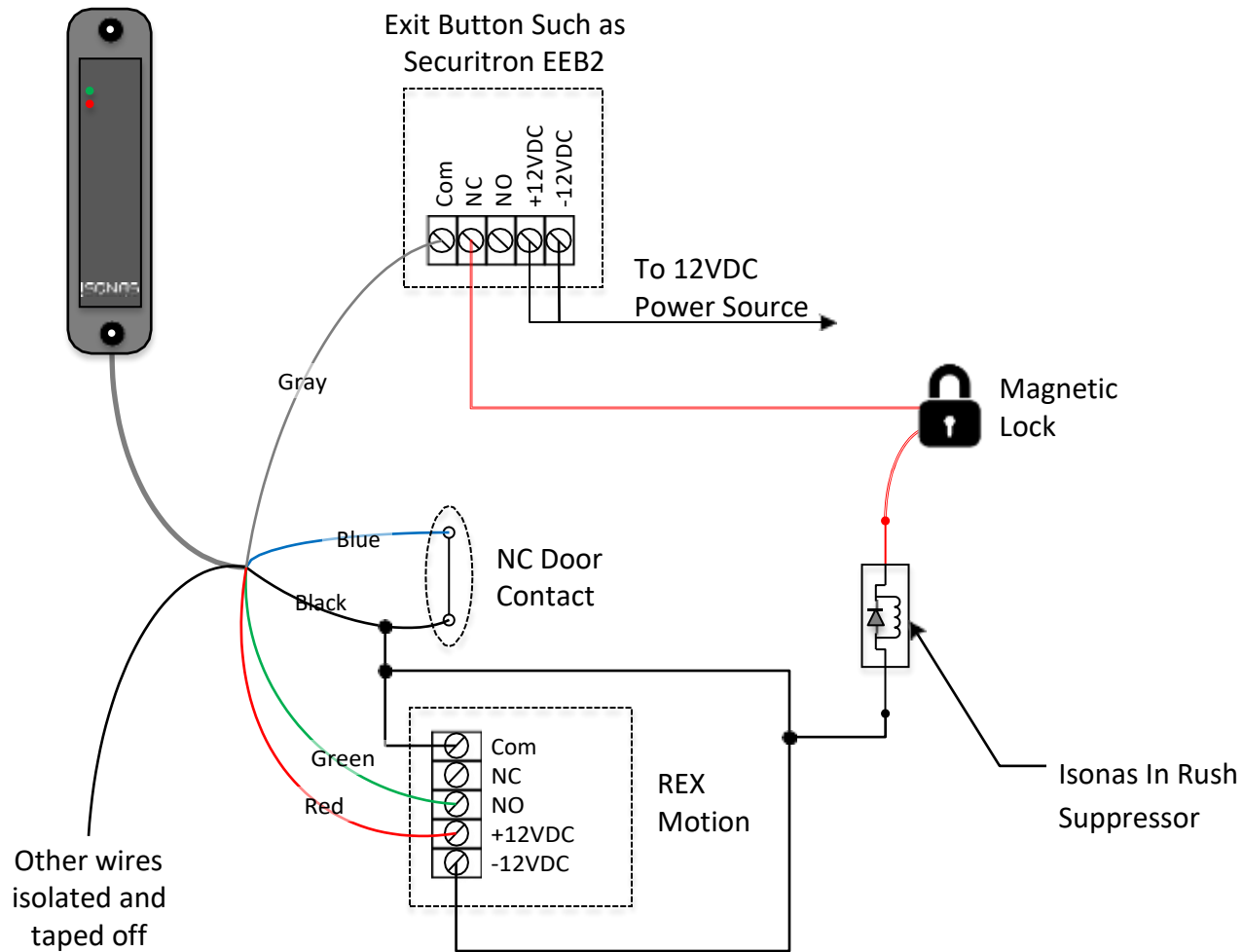
Date:
2/17/2016

Drawn By:
Jason R Clement

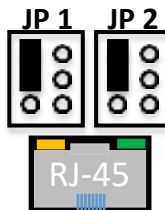
Version:
1.00.00

ISONAS
PURE IP ACCESS CONTROL

4750 Walnut Street Suite 110
Boulder, CO 80301
www.isonas.com



PowerNet RC Jumper Positions



PowerNet – PoE with Magnetic Lock, DSM, REX and Exit Button

Dwg No:

Sheet
1

of
1

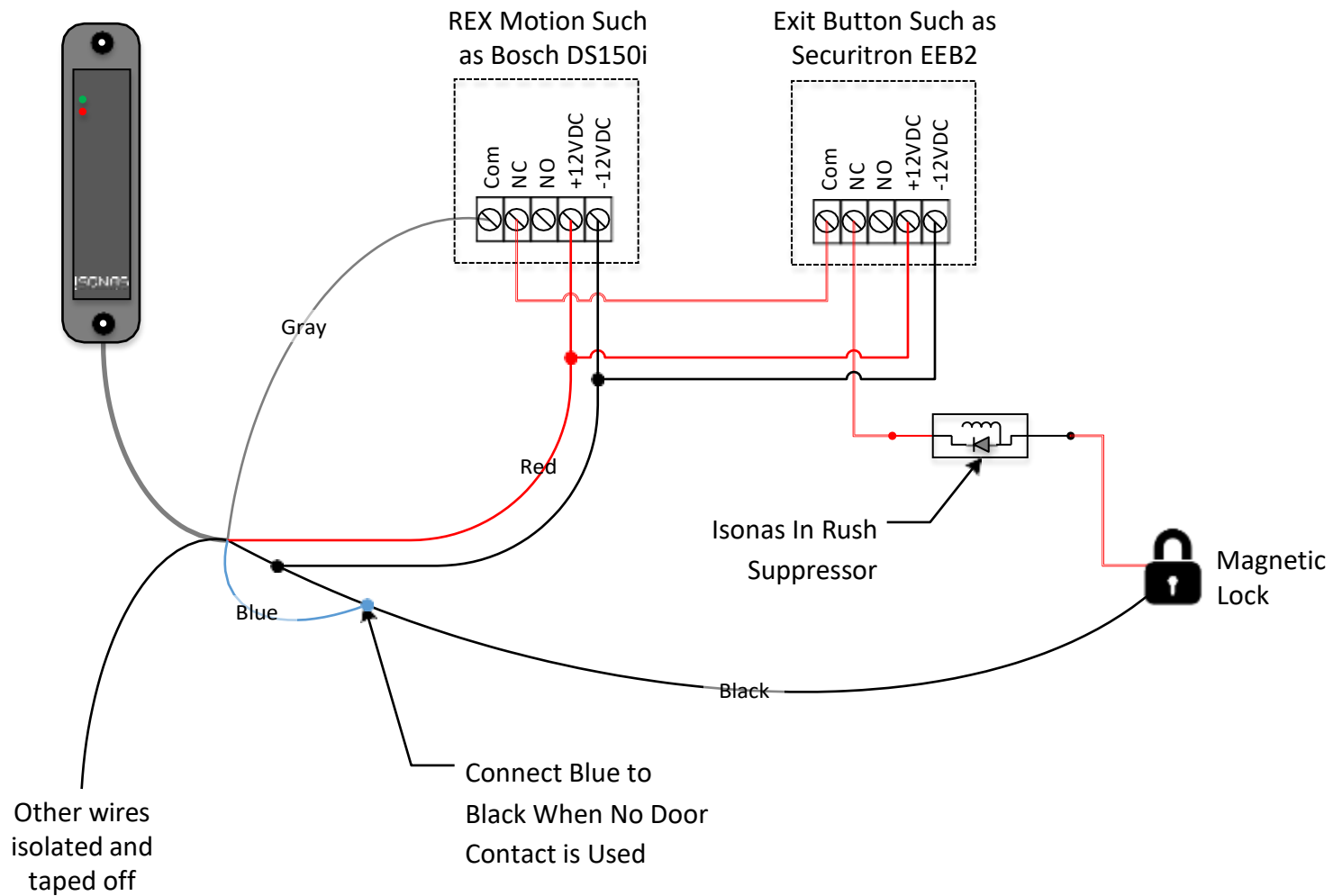
Date:
2/18/16

Drawn By:
Jason R Clement

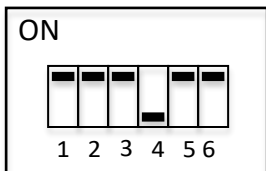
Version:
1.00.00

ISONAS
PURE IP ACCESS CONTROL

4750 Walnut Street Suite 110
Boulder, CO 80301
www.isonas.com

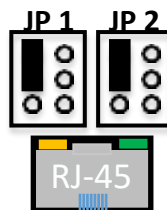


DIP Switch Settings for DS150i



Note: These settings assume the relay timing resets with each trigger, set for fail safe and for a four second unlock. If other options are needed or another manufacturer is used please refer to their installation manual

PowerNet RC Jumper Positions



PowerNet – PoE with Magnetic Lock, REX Motion and Exit Button

Dwg No:

Sheet
1

of
1

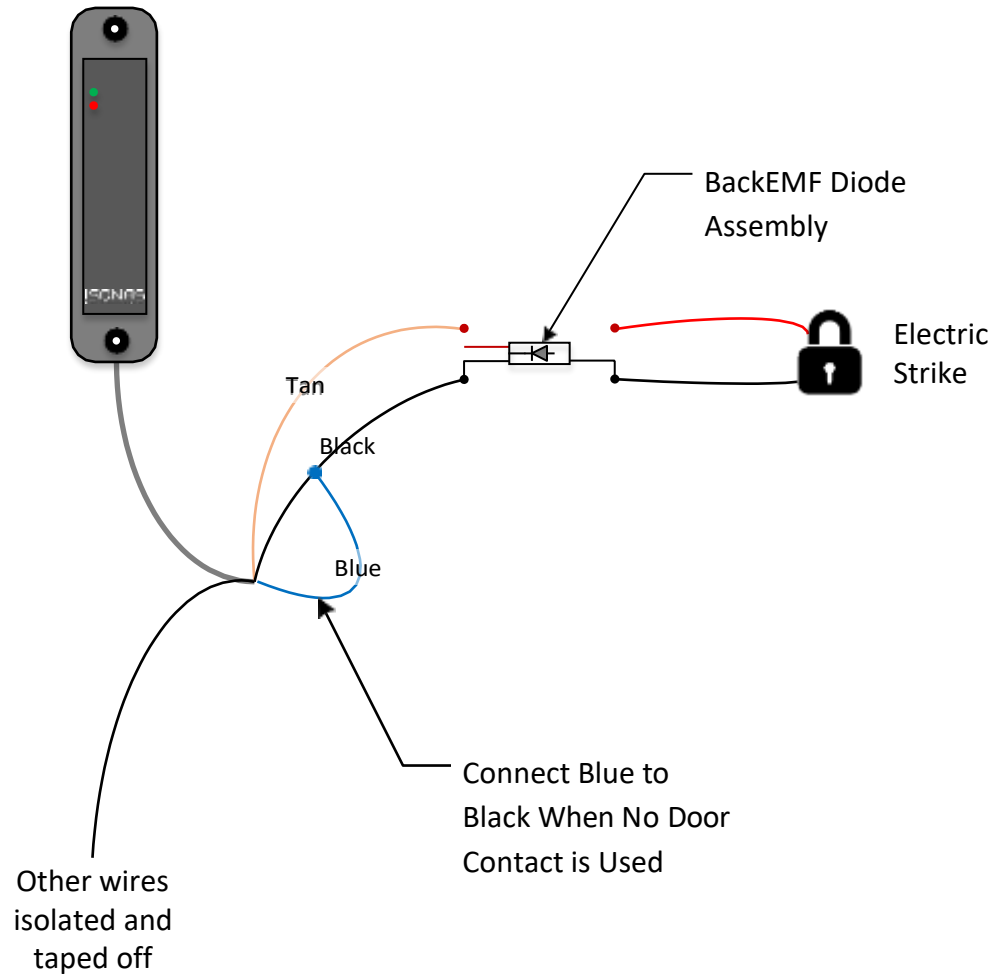
Date:
2/18/16

Drawn By:
Jason R Clement

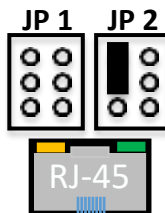
Version:
1.00.00

ISONAS
PURE IP ACCESS CONTROL

4750 Walnut Street Suite 110
Boulder, CO 80301
www.isonas.com



PowerNet RC
Jumper Positions



PowerNet – PoE with Electric Strike

Dwg No:

Sheet
1

of
1

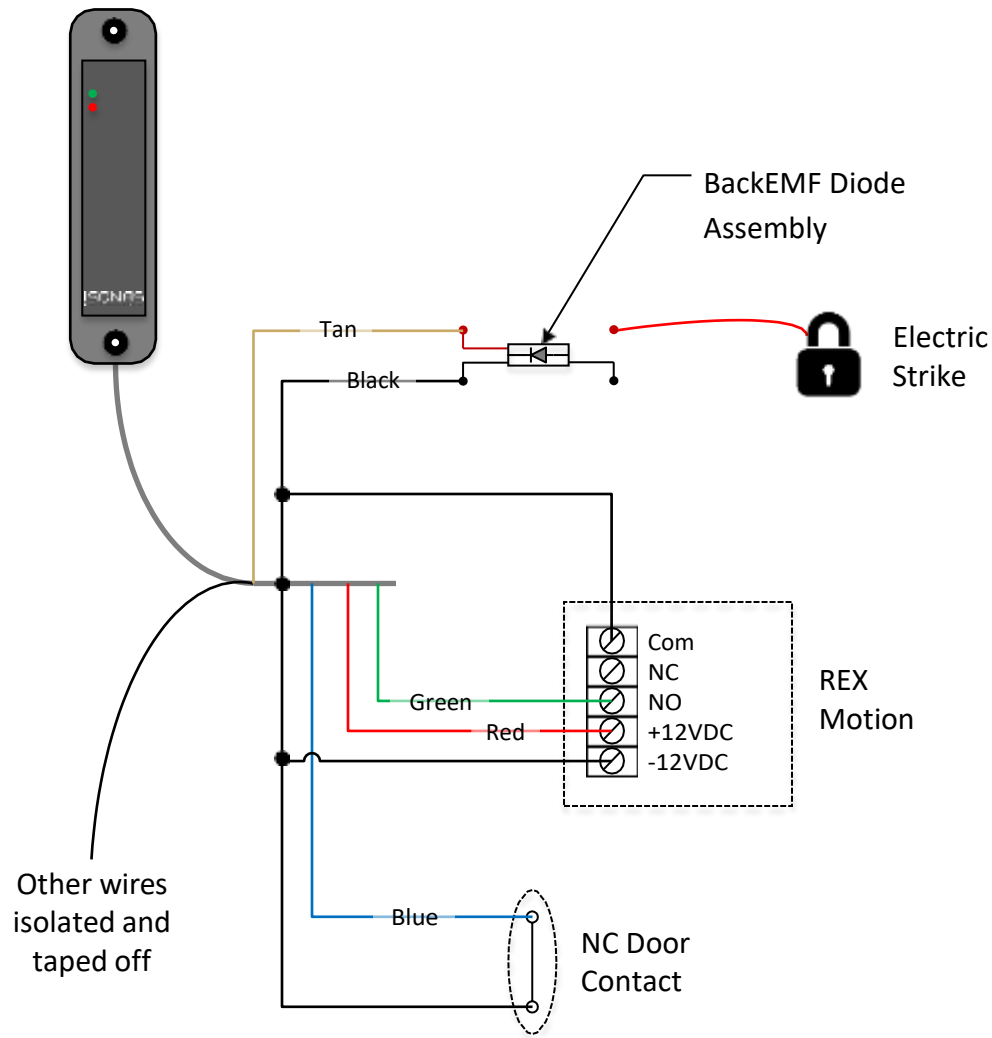
Date:
2/17/2016

Drawn By:
Jason R Clement

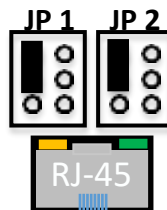
Version:
1.00.00

ISONAS
PURE IP ACCESS CONTROL

4750 Walnut Street Suite 110
Boulder, CO 80301
www.isonas.com



PowerNet RC
Jumper Positions



PowerNet – PoE with Electric Strike,
Request to Exit Motion and Door Sense

Dwg No:

Sheet
1

of
1

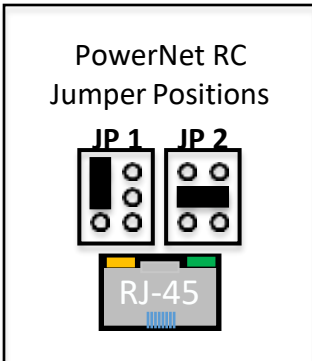
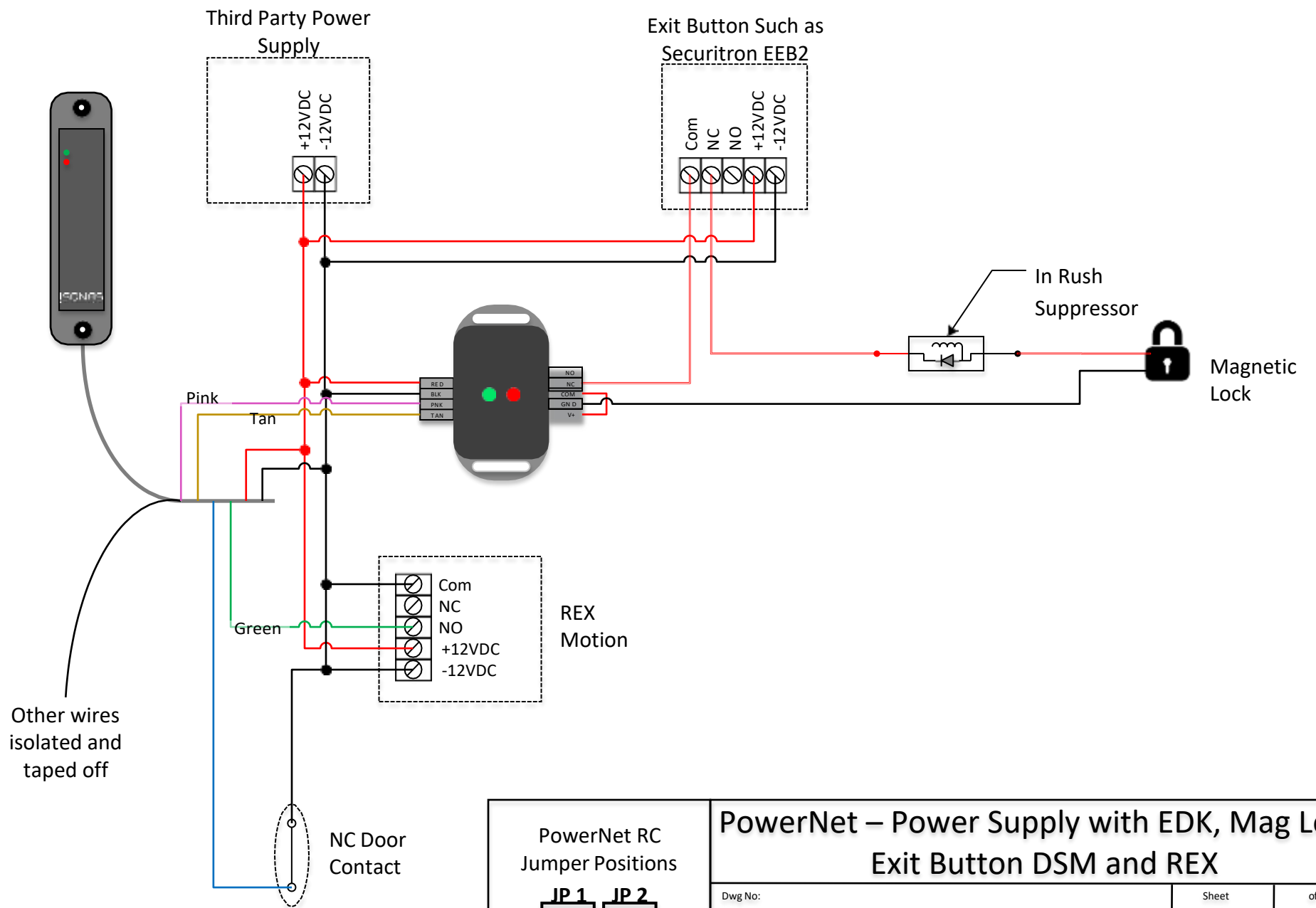
Date:
2/29/2016

Drawn By:
Jason R Clement

Version:
1.00.00

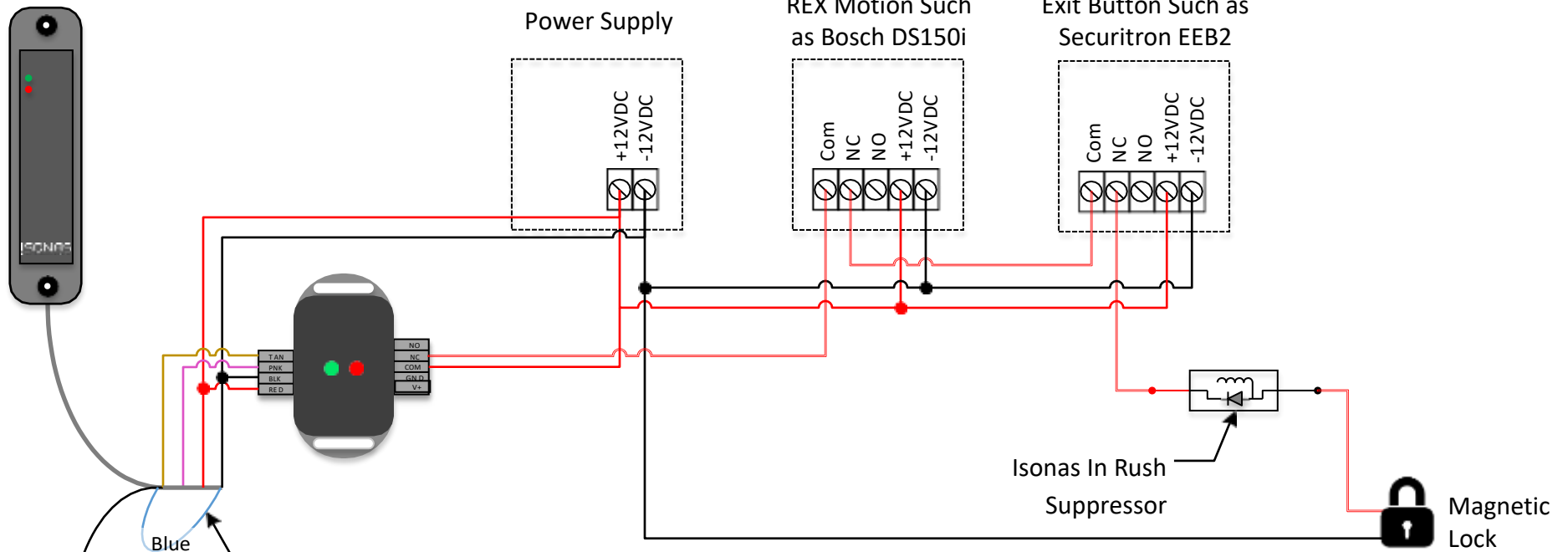
ISONAS
PURE IP ACCESS CONTROL

4750 Walnut Street Suite 110
Boulder, CO 80301
www.isonas.com



PowerNet – Power Supply with EDK, Mag Lock, Exit Button DSM and REX

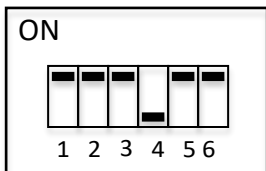
Dwg No:	Sheet 1	of 1
Date: 2/18/2016	Drawn By: Jason R Clement	Version: 1.00.00



Other wires isolated and taped off

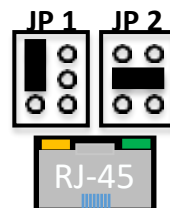
Connect Blue to Black When No Door Contact is Used **Note:** When using a door contact do not use this wiring diagram, use the wiring diagram that includes a door contact.

DIP Switch Settings for DS150i



Note: These settings assume the relay timing resets with each trigger, set for fail safe and for a four second unlock. If other options are needed or another manufacturer is used please refer to their installation manual

PowerNet RC Jumper Positions



PowerNet – Power Supply with Magnetic Lock, EDK, REX Motion and Exit Button

Dwg No:

Sheet
1

of
1

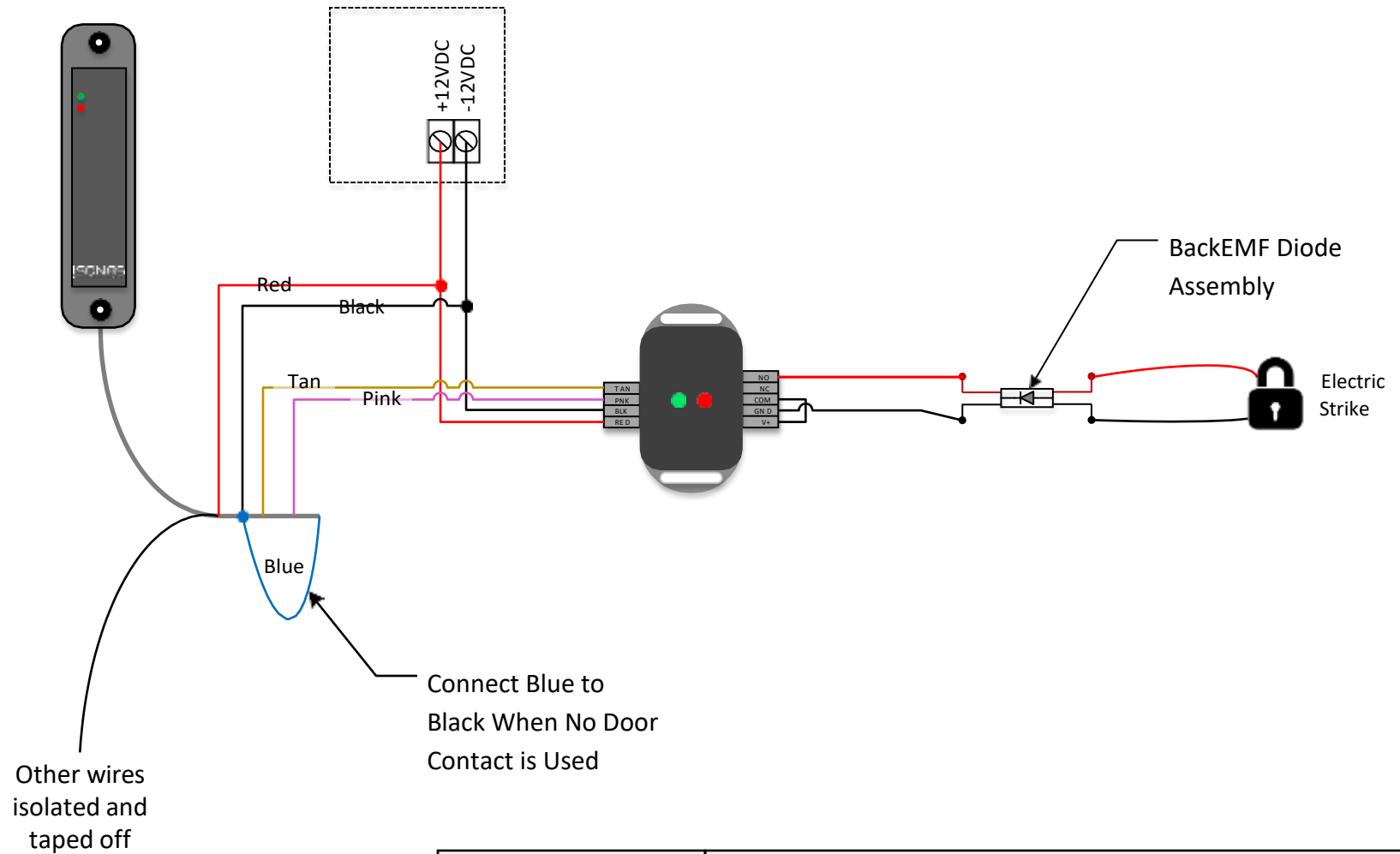
Date:
2/18/16

Drawn By:
Jason R Clement

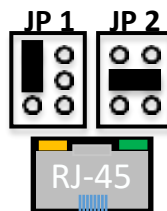
Version:
1.00.00

ISONAS
PURE IP ACCESS CONTROL

4750 Walnut Street Suite 110
Boulder, CO 80301
www.isonas.com



PowerNet RC
Jumper Positions



PowerNet – Power Supply with EDK and Electric Strike

Dwg No:

Sheet
1

of
1

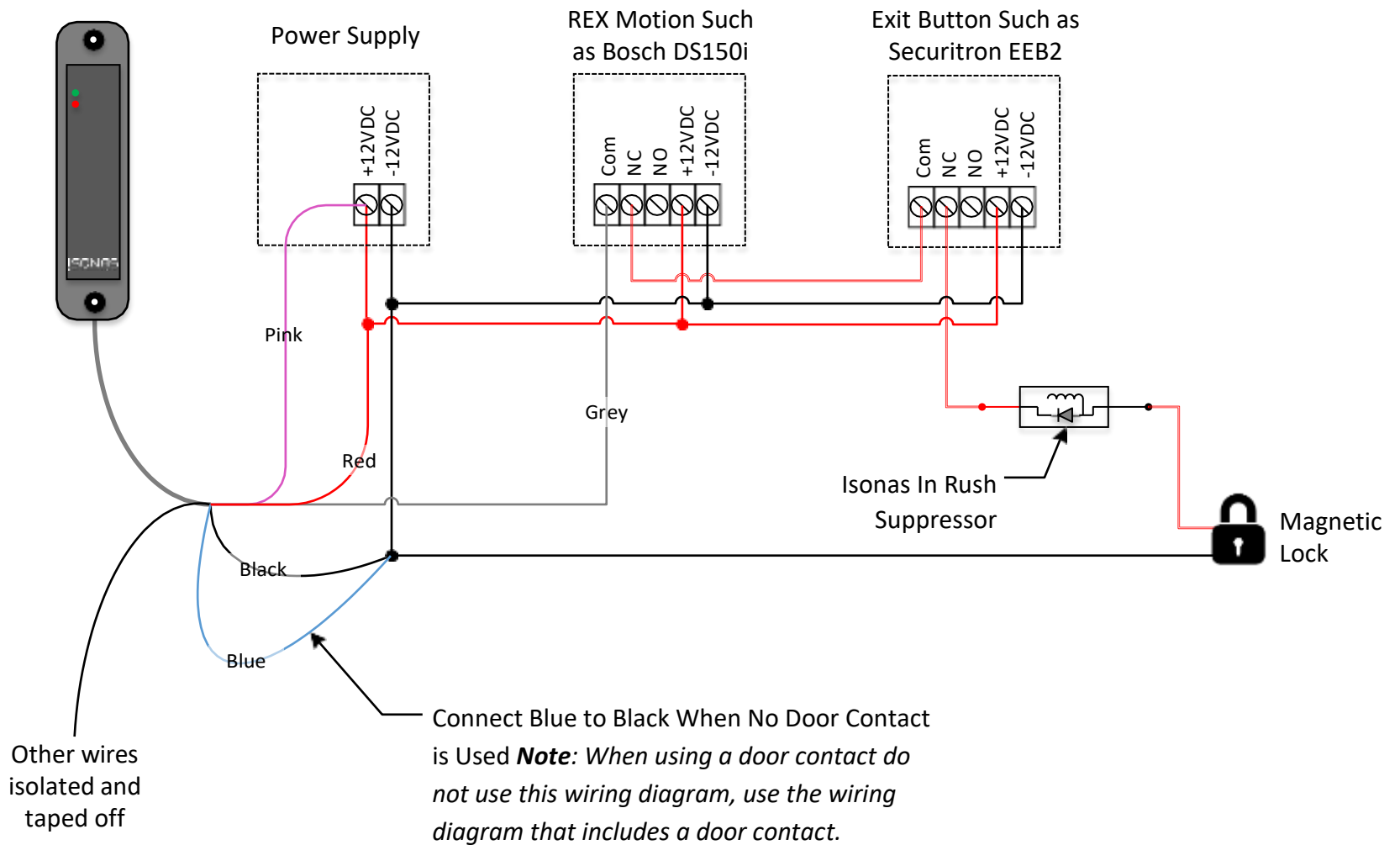
Date:
2/23/2016

Drawn By:
Jason R Clement

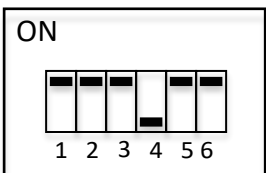
Version:
1.00.00

ISONAS
PURE IP ACCESS CONTROL

4750 Walnut Street Suite 110
Boulder, CO 80301
www.isonas.com

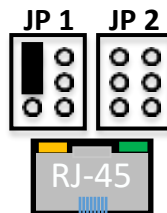


DIP Switch Settings for DS150i



Note: These settings assume the relay timing resets with each trigger, set for fail safe and for a four second unlock. If other options are needed or another manufacturer is used please refer to their installation manual

PowerNet RC Jumper Positions

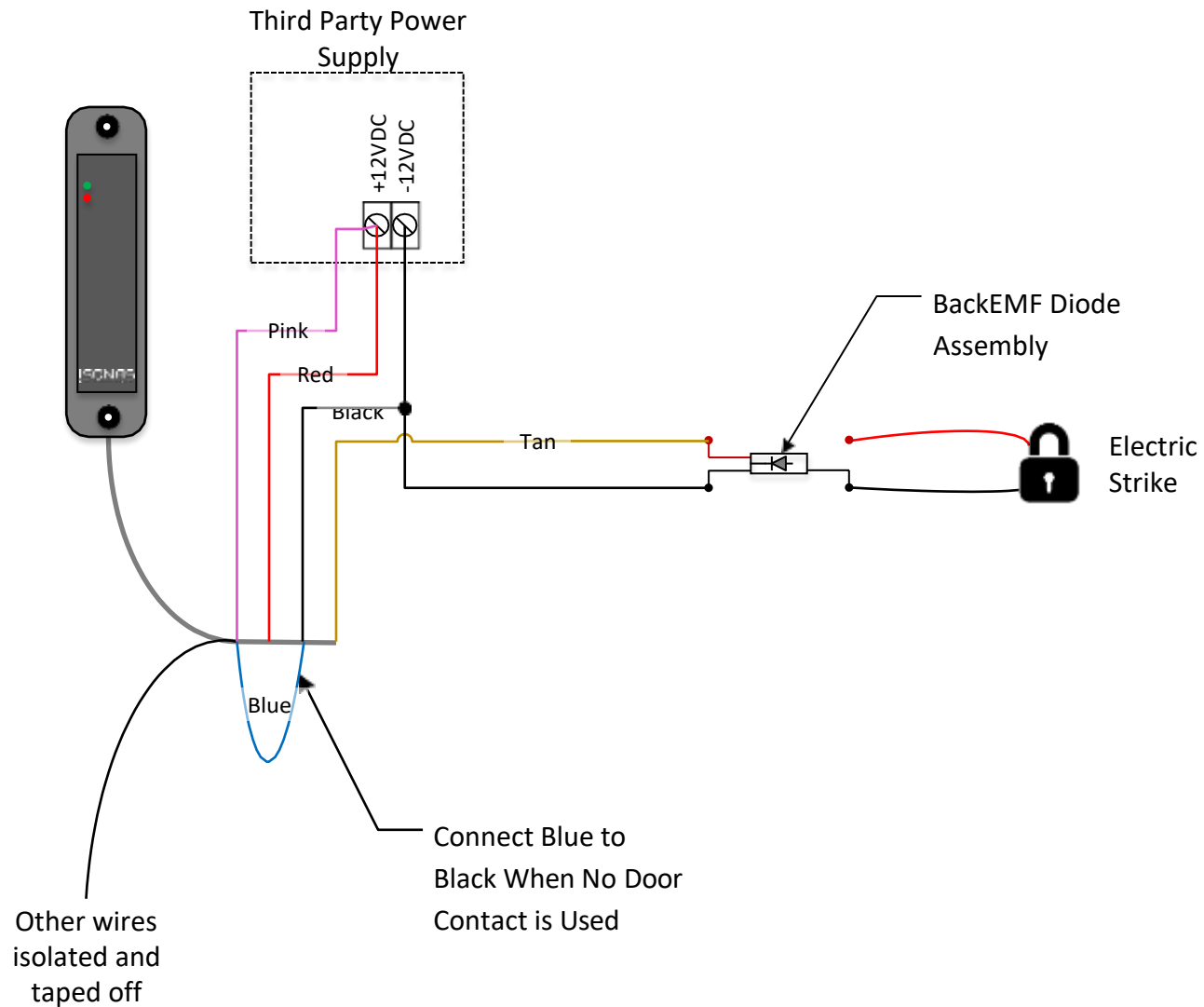


PowerNet – Power Supply with Magnetic Lock, REX Motion and Exit Button

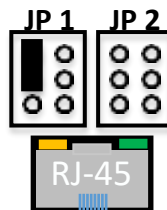
Dwg No:	Sheet 1	of 1
Date: 2/18/16	Drawn By: Jason R Clement	Version: 1.00.00

ISONAS
PURE IP ACCESS CONTROL

4750 Walnut Street Suite 110
Boulder, CO 80301
www.isonas.com



PowerNet RC
Jumper Positions



PowerNet – Power Supply with Electric Strike

Dwg No:

Sheet
1

of
1

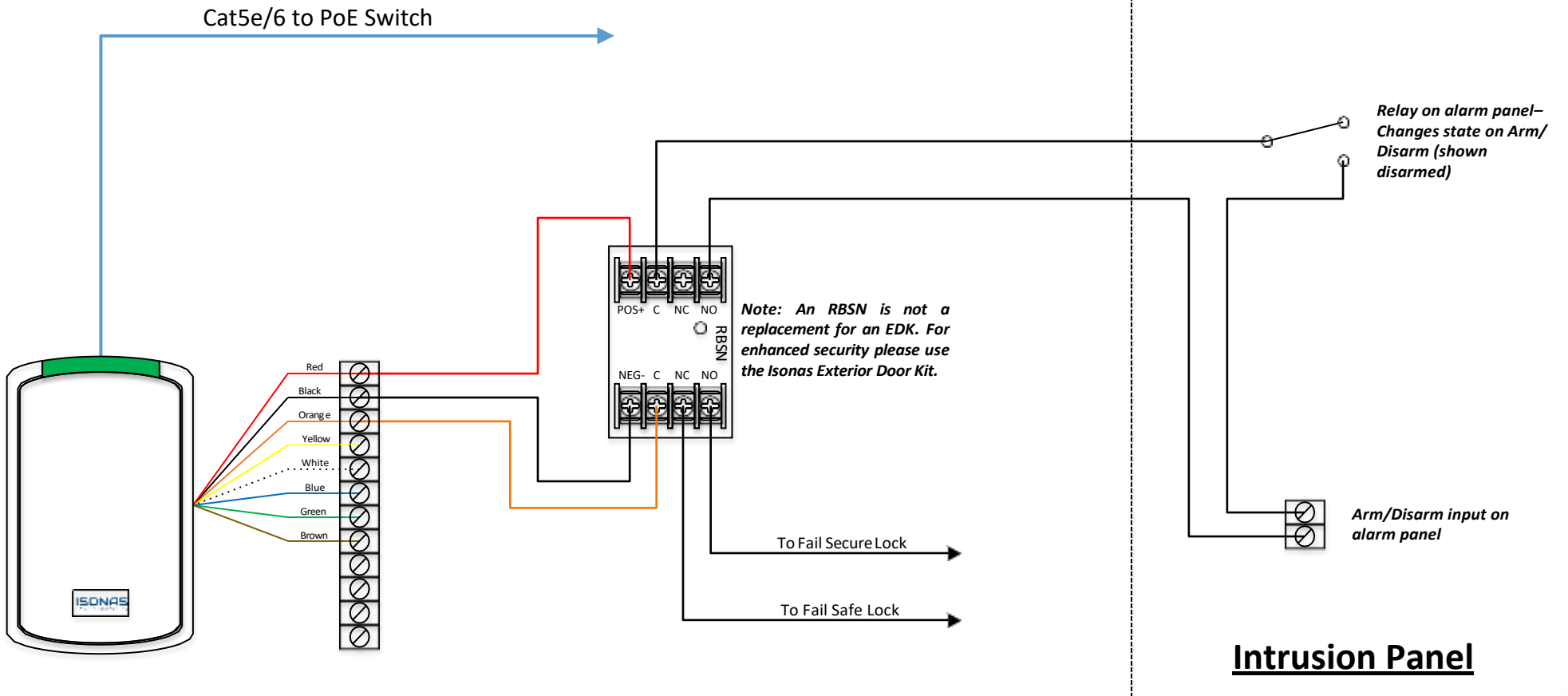
Date:
2/23/2016

Drawn By:
Jason R Clement

Version:
1.00.00

ISONAS
PURE IP ACCESS CONTROL

4750 Walnut Street Suite 110
Boulder, CO 80301
www.isonas.com

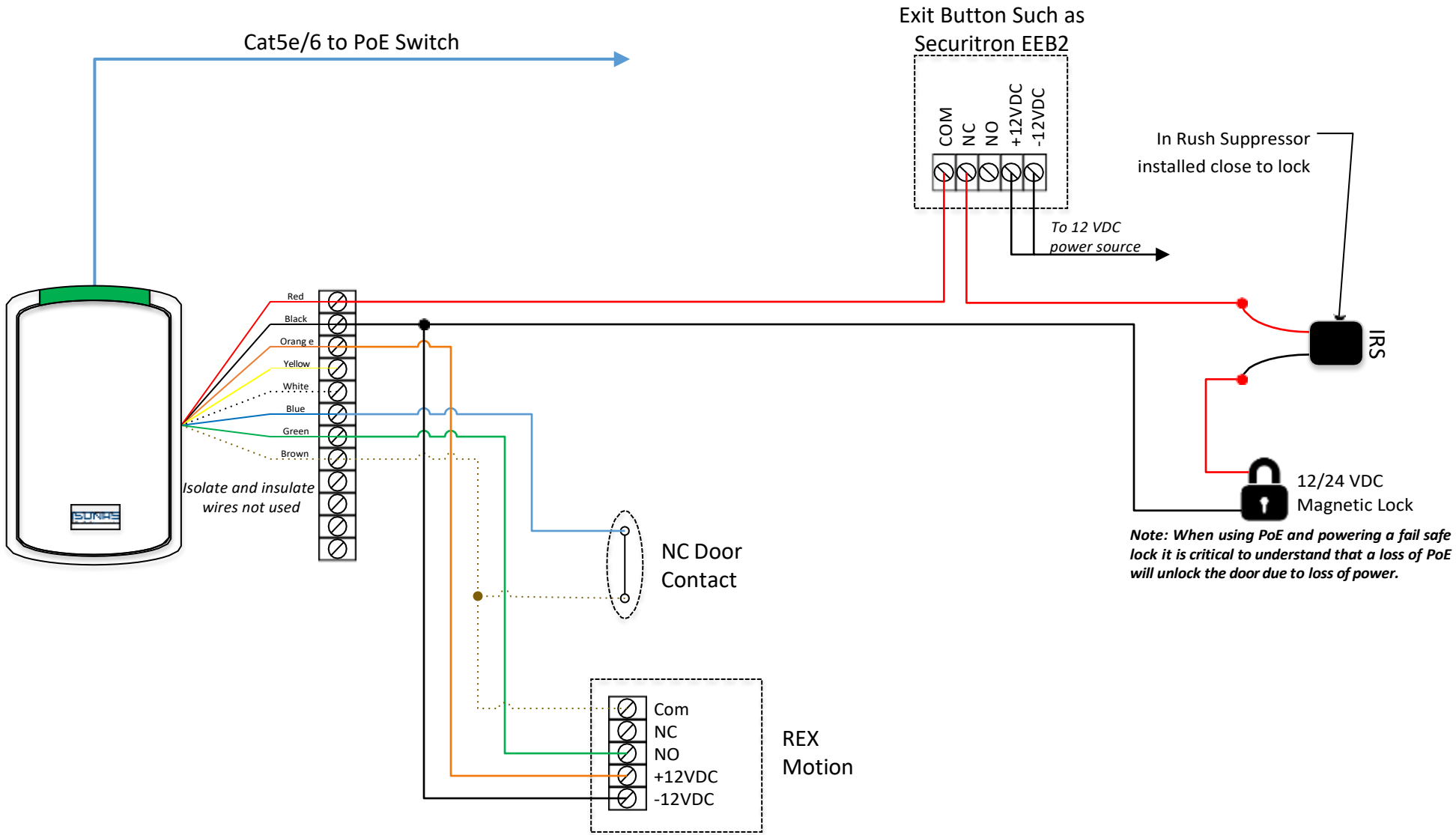


PureIP RC-04 Using Altronix RBSN for Dry Form C Relay

Dwg No: 04-INTRUSION_DISARM	Sheet 1	of 1
Date: 2/9/2017	Drawn By: Jason R Clement	Version : 1.00.10

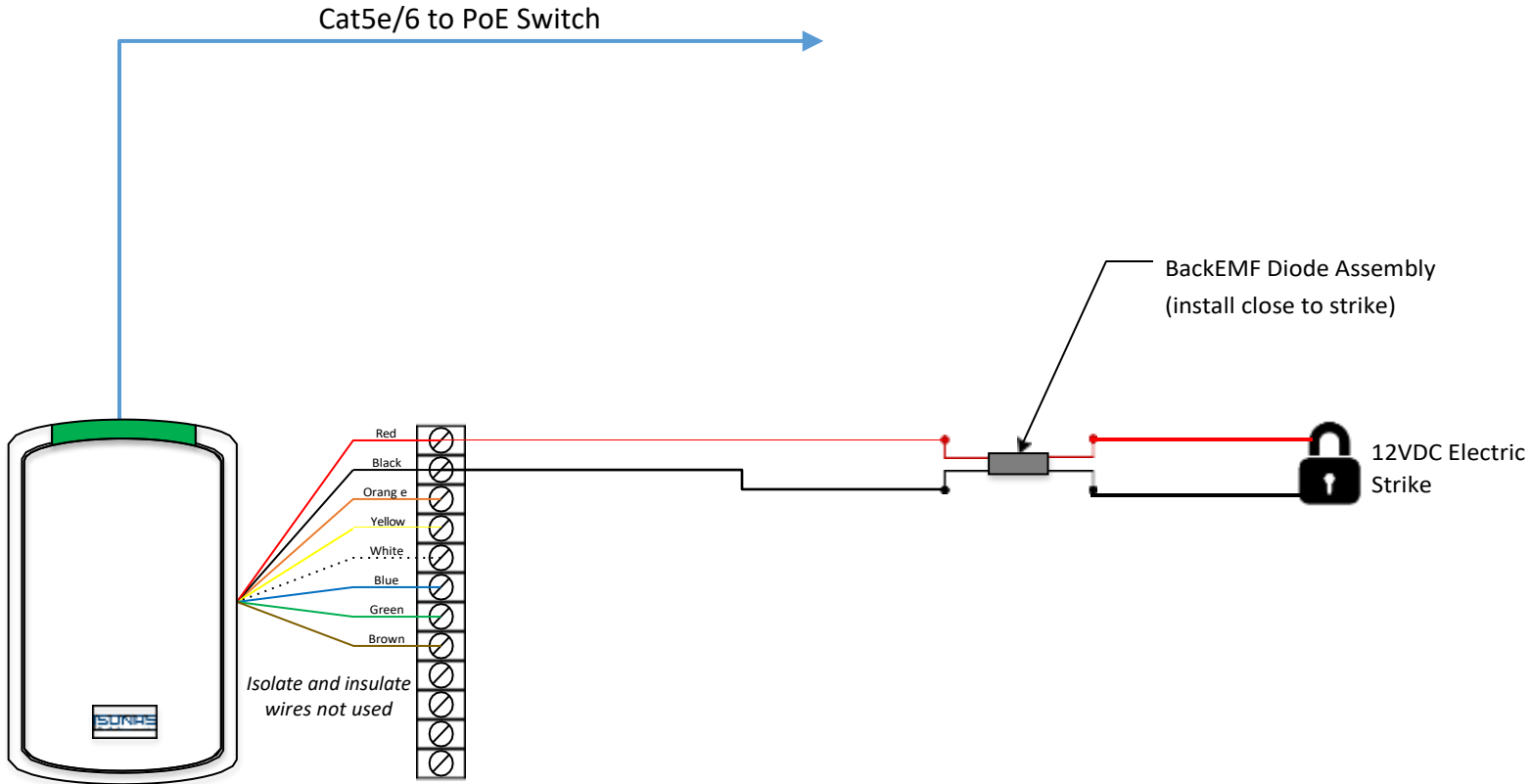
ISONAS
PURE IP ACCESS CONTROL

4750 Walnut Street Suite 110
Boulder, CO 80301
www.isonas.com



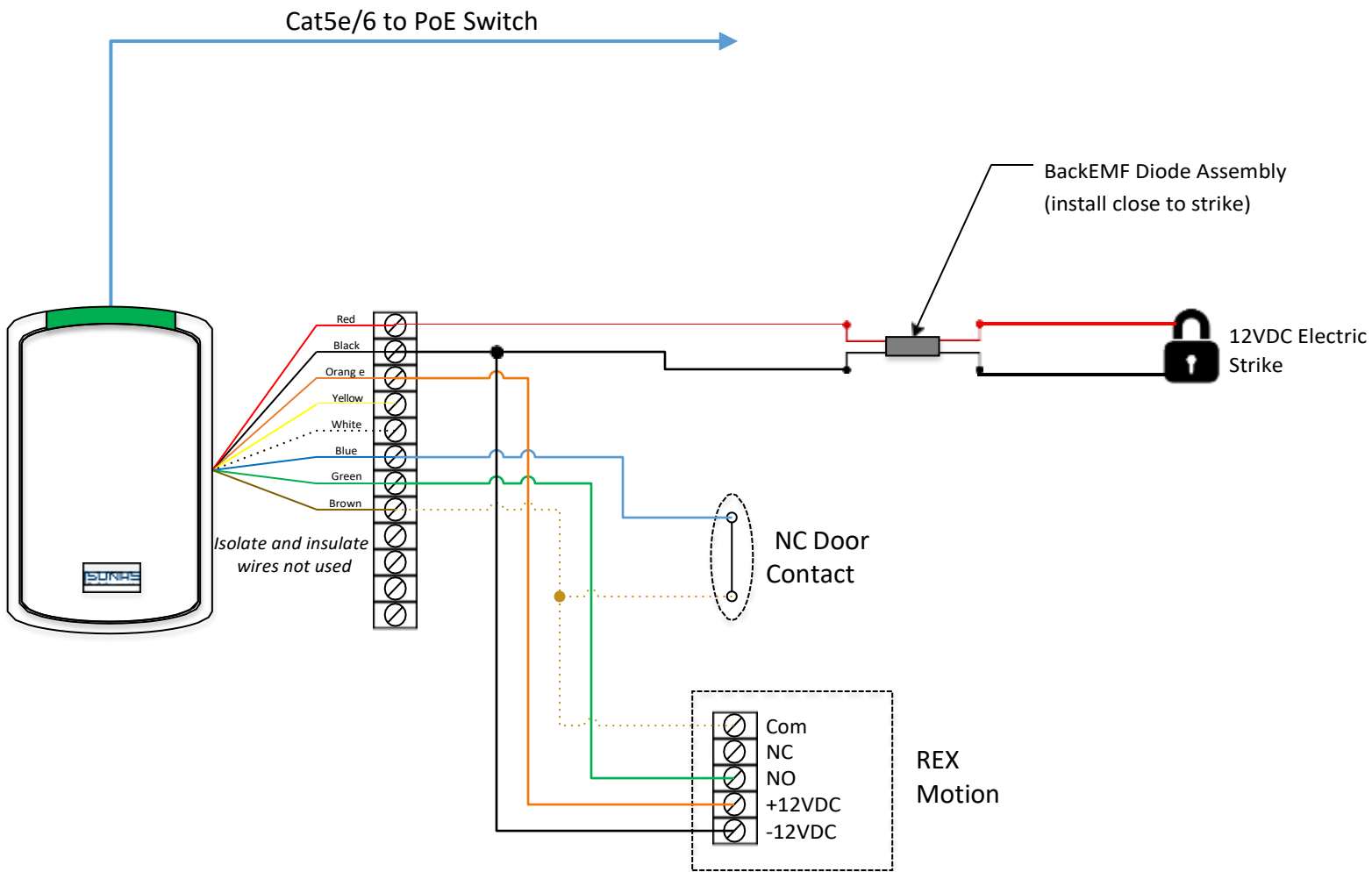
PureIP RC-04 with PoE and Magnetic Lock

Dwg No: 04-MAG	Sheet 1	of 1
Date: 12/13/2016	Drawn By: Jason R Clement	Version : 1.00.10



PureIP RC-04 with Electric Strike

Dwg No:	Sheet 1	of 1
Date: 12/5/2016	Drawn By: Jason R Clement	Version : 1.00.00



PureIP RC-04 with Electric Strike, Door Sense and Request to Exit

Dwg No:
04-ST-DS.REX

Sheet
1 of
1

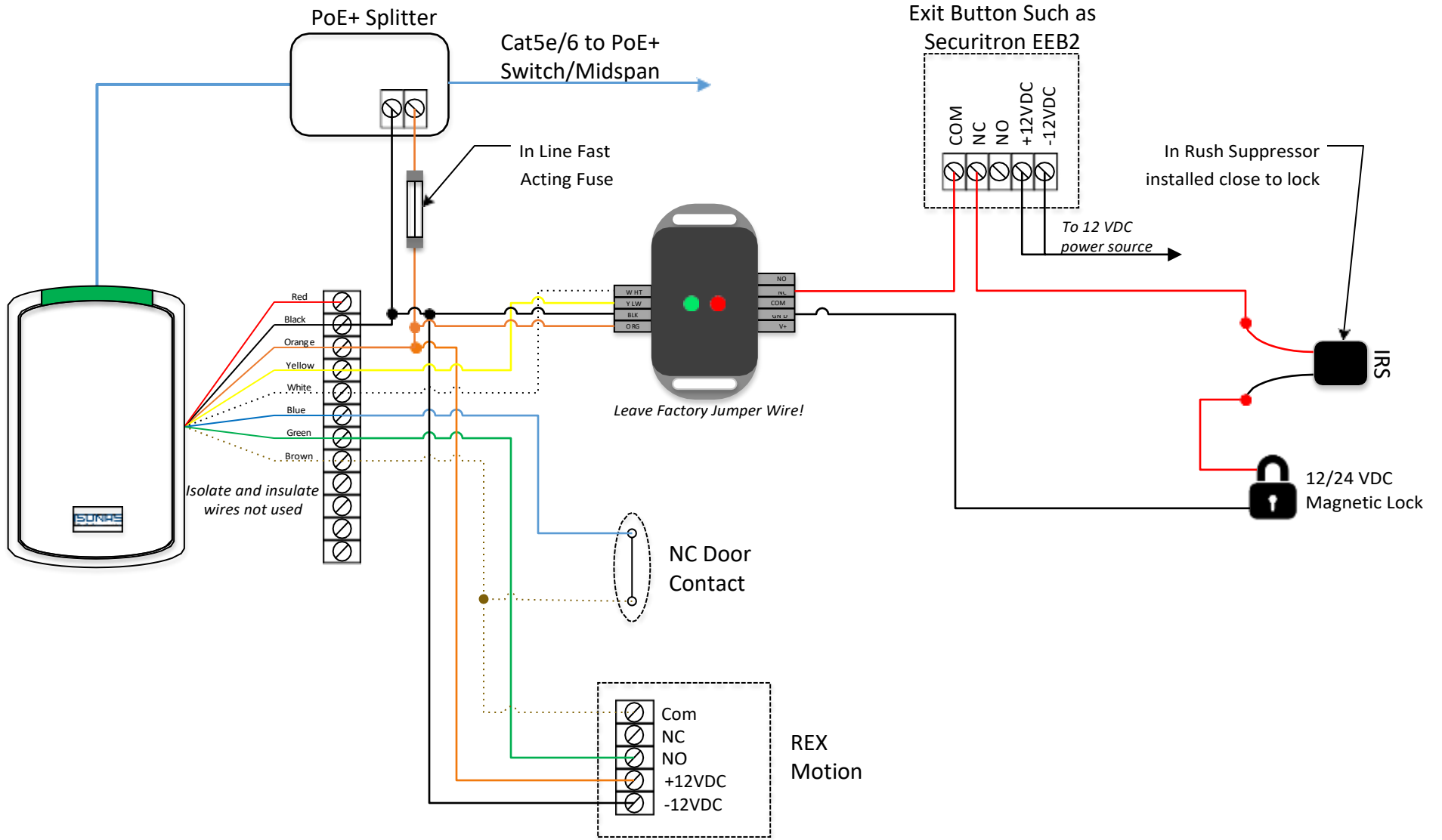
Date:
12/5/2016

Drawn By:
Jason R Clement

Version :
1.00.00

ISONAS
PURE IP ACCESS CONTROL

4750 Walnut Street Suite 110
Boulder, CO 80301
www.isonas.com



Fast Acting Fuse Part Numbers:

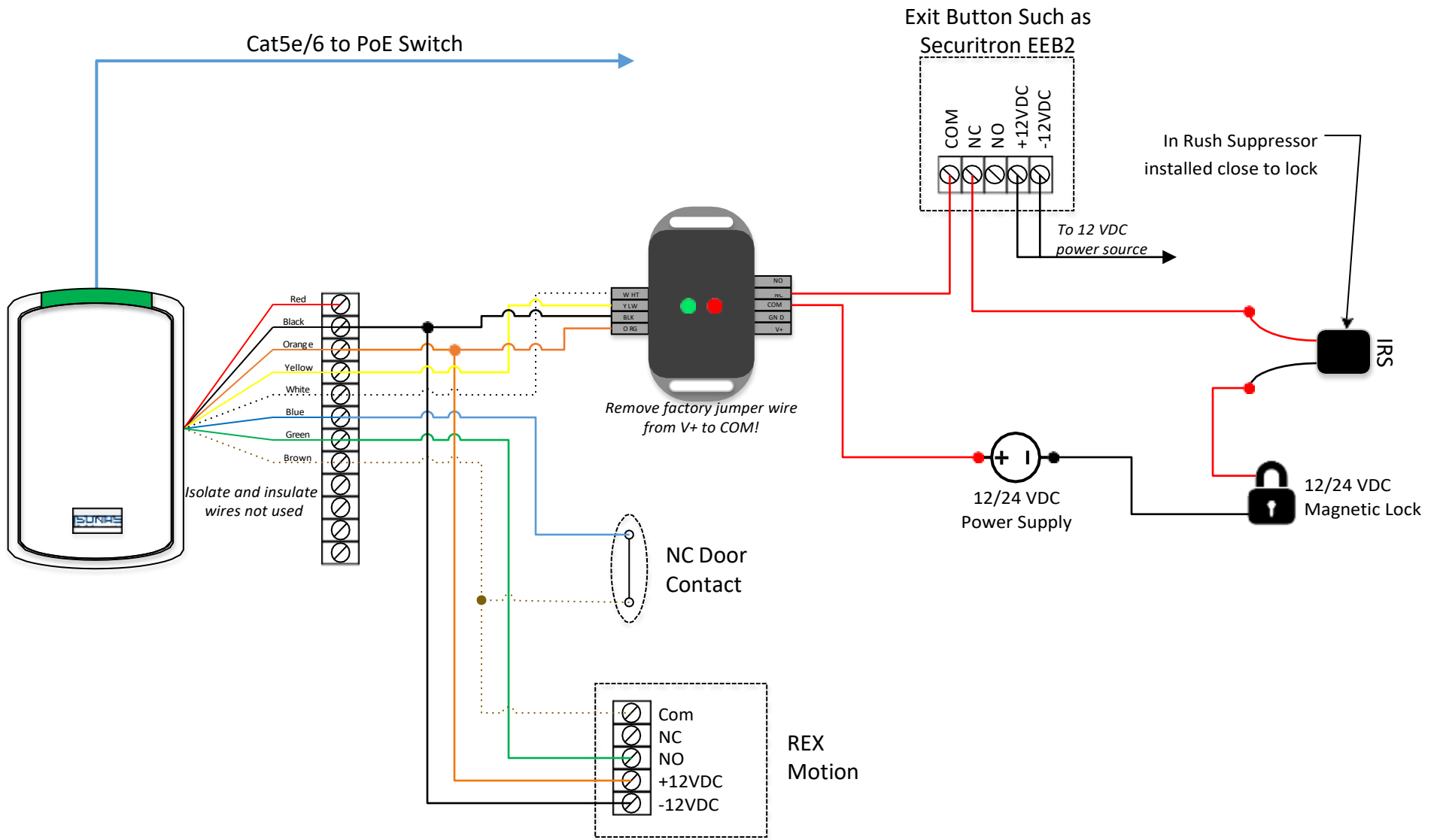
- Fuse = Littelfuse 0208.500MXP or Equivalent
- Fuse Holder – Littelfuse 150274 or Equivalent

PureIP RC-04 Powered by PoE+ Splitter with a Magnetic Lock

Dwg No: 04-EDK-MAG-POESPL	Sheet 1	of 1
Date: 1/27/2017	Drawn By: Jason R Clement	Version : 1.01.00



4750 Walnut Street Suite 110
Boulder, CO 80301
www.isonas.com

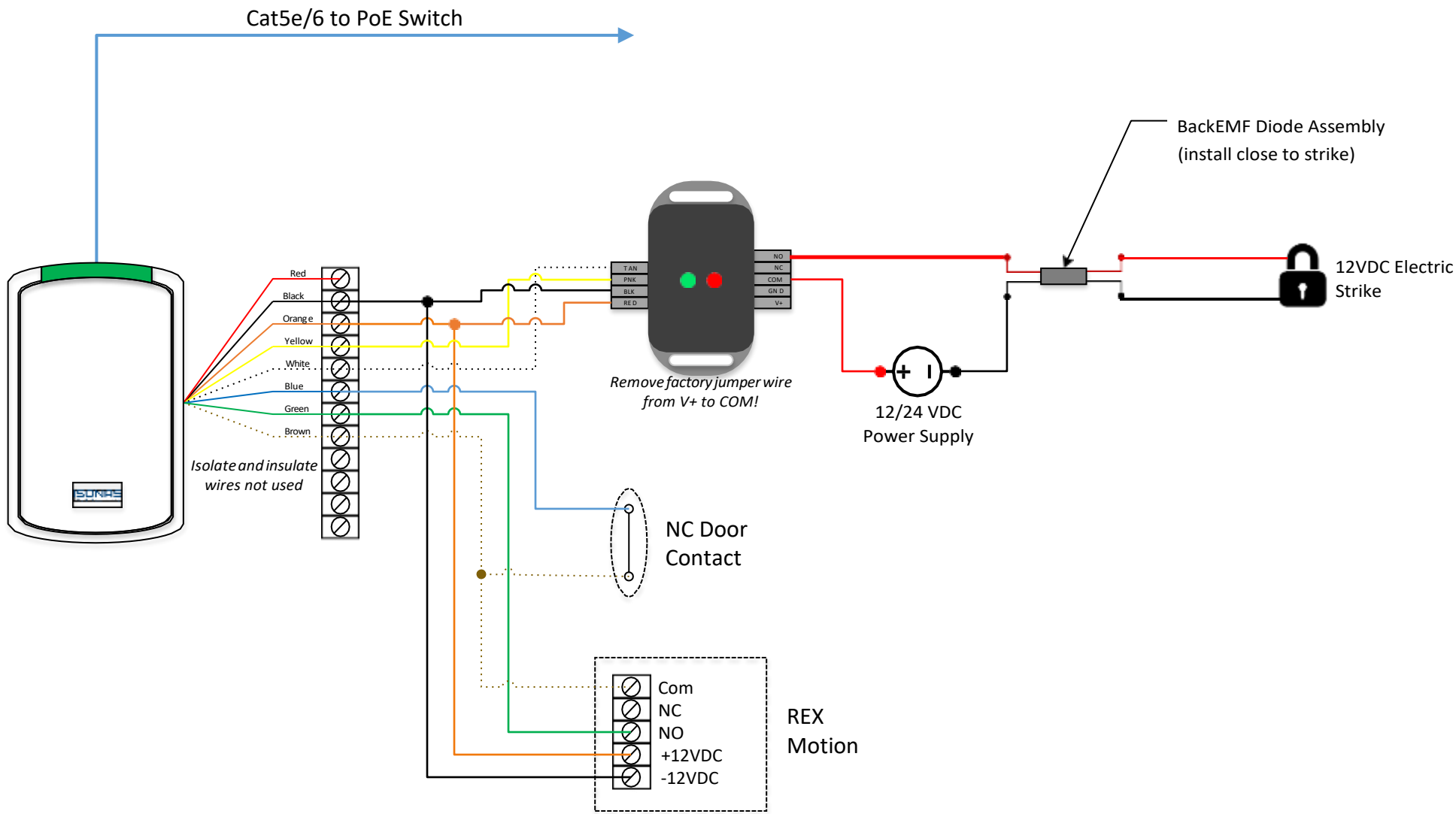


PureIP RC-04 with PoE and Magnetic Lock Powered by External Power Supply

Dwg No: 04-EDK-MAG-PS	Sheet 1	of 1
Date: 12/13/2016	Drawn By: Jason R Clement	Version : 1.00.01

ISONAS
PURE IP ACCESS CONTROL

4750 Walnut Street Suite 110
Boulder, CO 80301
www.isonas.com



PureIP RC-04 with PoE and Electric Strike Powered by External Power Supply

Dwg No:
04-EDK-ST-PS

Sheet
1 of
1

Date:
12/13/2016

Drawn By:
Jason R Clement

Version :
1.00.01

ISONAS
PURE IP ACCESS CONTROL

4750 Walnut Street Suite 110
Boulder, CO 80301
www.isonas.com

Document Version
(BasicWiringDiagrams)

Date of Revision	Revision	Author	Description
9/19/17	1.0	David Tamarchenko	Initial Release

For more information:

Web: www.isonas.com **E-mail:** sales@isonas.com

Tel: 800-581-0083 x102 (toll-free) or 303-567-6516 x102 (CO)

Fax: 303-567-6991

ISONAS Headquarters:

4720 Walnut Street, Suite 200, Boulder, Colorado 80301 USA