



**045XY Half surface - narrow frame leaf, wide door leaf**

- Half surface for retrofit or new construction
- Frame leaf depth 1-9/16"
- Patented center loaded, interlocking bearing design
- XY (lateral and vertical) adjustability while hanging the door
- Pinch point between cover and door is eliminated
- Non handed for custom cut lengths
- 9/32" door inset
- Frame guidance lip is extended further for retrofit applications to cover existing heavy weight architectural hinge preps
- For doors weighing up to 450 pounds without reinforcing, 600 pounds with reinforcing
- For lead-lined application consult factory for engineering specials

**Certifications**

- Meets ANSI 156.26 for 150lbs and 300lbs
- UL10C certified

**Standard lengths**

- 83", 85", 95", 119"

**Standard mounting hardware**

- 12-24 x 3/4" Steel self drilling / self tapping hex head screw
- 12-24 x 3/4" Steel self drilling / self tapping phillips head screw

**Finishes**

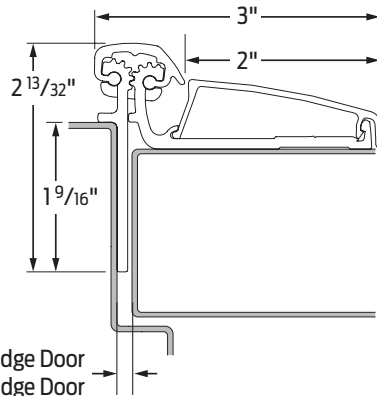
- Clear Anodized (US28), Dark Bronze Anodized (313AN), Black Anodized (315AN)
- Custom anodizing and painting are available, consult factory.

**Optional mounting hardware:**

- SECHM.....Security screws - hollow metal door and frame
- SECWDHM.....Security screws - 1/2 wood, 1/2 hollow metal
- SECWDWD.....Security screws - wood door and frame
- TEKWD.....1/2 self drill, self tap 1/2 wood
- WD.....Wood door and frame

**For single door applications:**

For pairs of doors see chart and general information



5/32" Clearance for Square Edge Door  
3/16" Clearance for Beveled Edge Door

Hinges & pivots  
**A27**

Pulls & plates  
**B**

Flush bolts & coordinators  
**C**

Latches, catches & bolts  
**D**

Stops  
**E**

Exterior hardware  
**F**

Miscellaneous hardware  
**G**