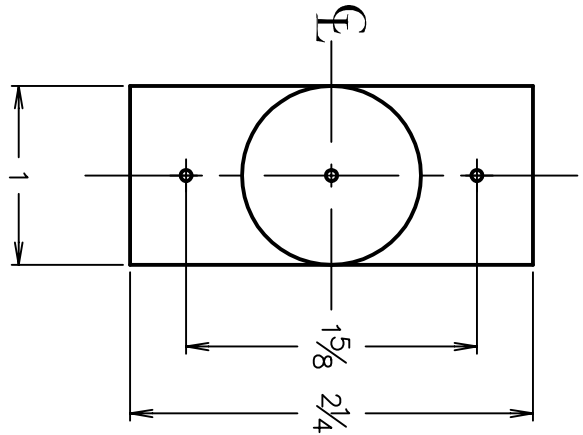
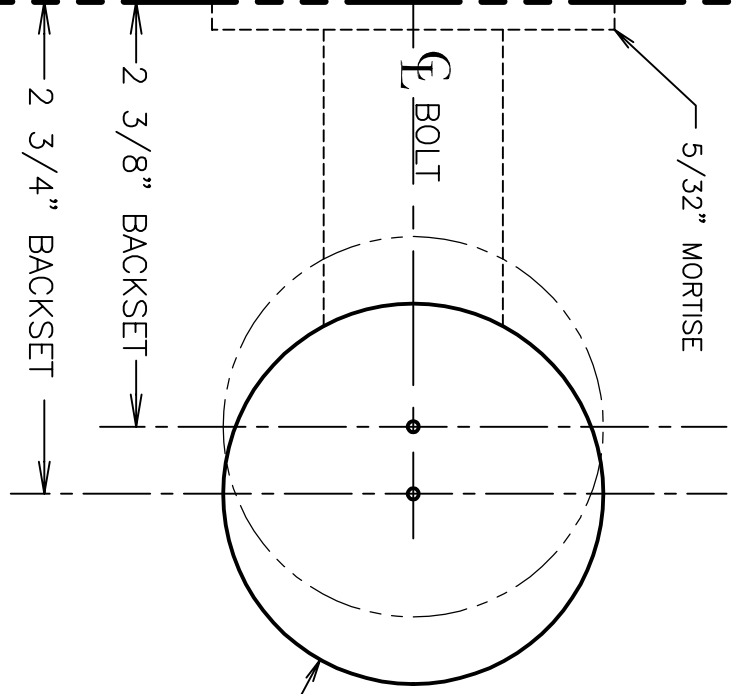


MARK
CENTER OF
DOOR
THICKNESS
FOR 1" DIA.
HOLE



BOLT AND DOOR
THICKNESS
F

TEAR HERE



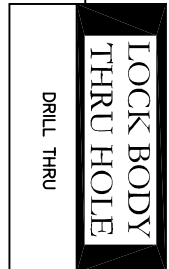
5/32" MORTISE

F BOLT

2 3/8" BACKSET

2 3/4" BACKSET

ø2 1/8



NOTE: ADJUST
TEMPLATE FOR
BEVELED DOORS

DOOR TEMPLATE



KV, KM, KR 116

ADJUSTABLE BACKSET
MAY NOT BE TO SCALE

DATE: 1-5-00

PLEASE ENSURE THAT THIS IS THE MOST UP
TO DATE TEMPLATE BY VISITING OUR
WEBSITE AT WWW.PDQLOCKS.COM