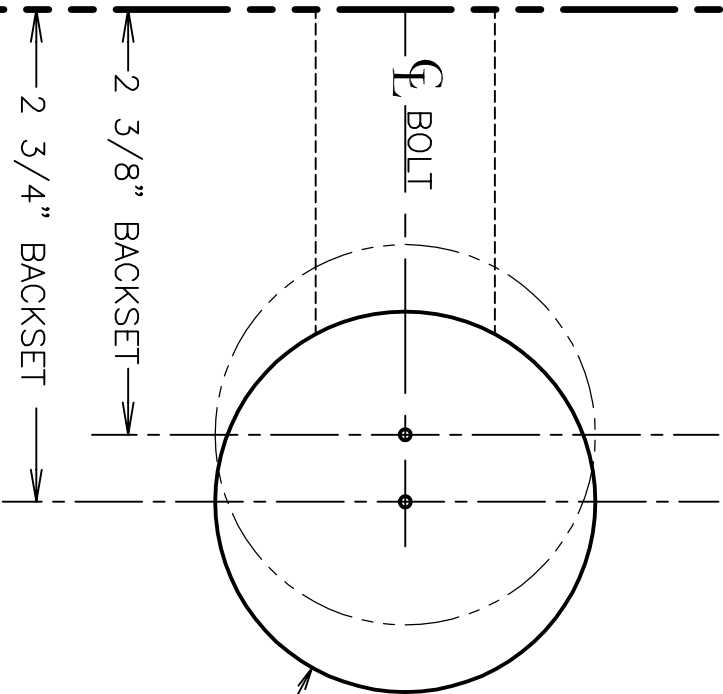


MARK  
CENTER OF  
DOOR  
THICKNESS  
FOR 1" DIA.  
HOLE

BOLT AND DOOR  
THICKNESS

TEAR HERE

NOTE: ADJUST  
TEMPLATE FOR  
BEVELED DOORS



$\phi 2\frac{1}{8}$



## DOOR TEMPLATE



DATE: 1-5-00

KV, KM, KR 116 DRIVE IN BOLT  
ADJUSTABLE BACKSET  
MAY NOT BE TO SCALE

PLEASE ENSURE THAT THIS IS THE MOST UP  
TO DATE TEMPLATE BY VISITING OUR  
WEBSITE AT [WWW.PDQLOCKS.COM](http://WWW.PDQLOCKS.COM)