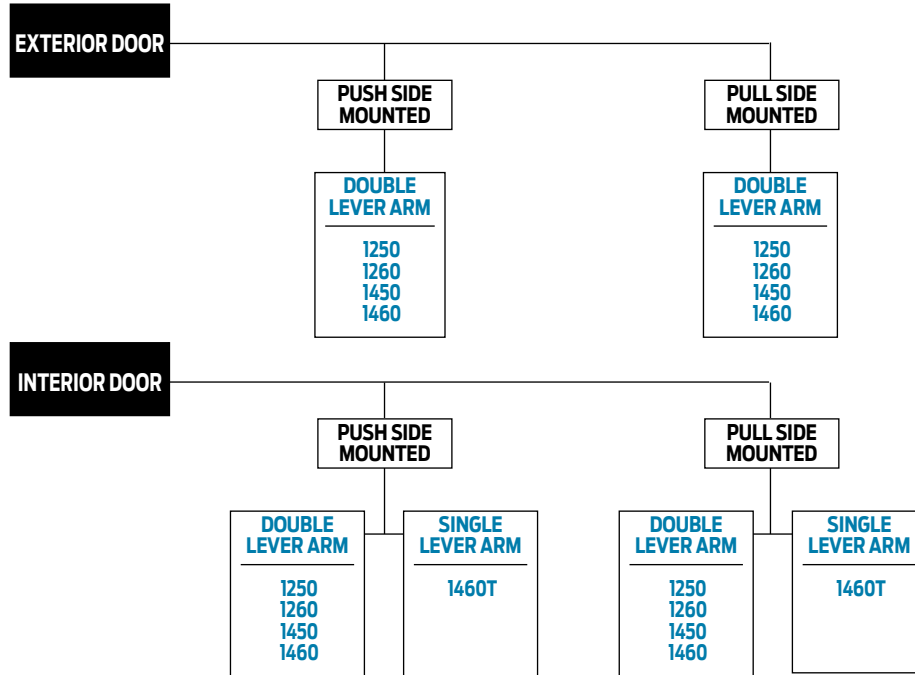


Product selection guide

Surface mounted 1000 Series LCN closers feature a modern slim line design for easy installation on narrow head frames and top rails. This guide is based on the desired mounting of the closer. NOTE: For parallel mounts order "P" version to also receive PA Shoe.



Product comparison

This chart shows a basic comparison of LCN 1000 Series closers. Refer to the specific closer chapter for complete details.

	MOUNTING					FINISH			COVER			CYLINDER			*ARM FUNCTION								
	HINGE (PULL SIDE)	TOP JAMB (PULL)	TOP JAMB (PUSH)	PARALLEL ARM	STOP FACE	PAINT	POWDER COAT	PLATED	PLASTIC	METAL	DESIGNER SERIES	NON-HANDED	NON-SIZED	ACCESSIBILITY	DELAYED ACTION	REGULAR (DOUBLE)	STANDARD (SINGLE)	HEAVY DUTY	HOLD-OPEN	EDA/HEDA	CUSH/HCUSH	SCUSH/SHCUSH	
1250	●	○	●	●	○	●	●	○	●	○	○	●	●	♿	○	180°	○	○	180°	180°	110°	110°	
1260	●	○	●	●	○	○	●	○	●	○	○	●	●	♿	○	180°	○	○	180°	120°	110°	110°	
1450	●	○	●	●	○	●	●	○	●	○	○	●	●	♿	○	180°	○	○	180°	180°	110°	110°	
1460	●	○	●	●	○	○	●	●	●	○	○	●	●	♿	●	180°	○	180°	180°	110°	100°	100°	
1460T	●	●	○	○	●	○	●	●	●	○	○	●	●	♿	○	○	180°	○	115°	○	○	○	

- AVAILABLE
- NOT AVAILABLE

♿ Closer available with less than 5.0 lbs. opening force on 36" door.

* Maximum opening/hold-open point with standard template. See individual closer series for degrees of opening per installation.

D = For designer series only.

1000 Series surface mounted closers

APPLICATIONS

- For aluminum, hollow metal, or wood swinging doors and frames.
- Can be used with hinge or pivot mounted door.
- Mounts on 1-3/4" transom without adapter plates.
- Adapter plates and other installation accessories available for unusual conditions.

FEATURES COMMON TO 1000 SERIES

- 1000 series closers mount three ways. Closers with regular or hold-open arm mount hinge side or top jamb. Parallel arm, closers include - 62PA SHOE required for parallel arm mount. 1460T mounts hinge side, top jamb (pull side) and stop face.
- Non-handed for right and left swinging doors.
- Closers to meet ADA reduced opening force requirements.
- Adjustable hydraulic backcheck cushions opening swing prior to 90°.
- Separate regulation of general closing speed and latching speed.
- Joints in arm and shoe adapt to uneven trim.
- Reversible shoe to boost latching power on double lever arms.

DESIGN ASSISTANCE

LCN has been providing reliable solutions to unique door control problems since 1925. Design and specification assistance are only a phone call away. Contact LCN for assistance or technical information at **877-671-7011** or **FAX 800-248-1460 (Order Entry)**, Fax **815-879-1495** for Product Support.

WARRANTY

- 30 year limited warranty (1460 Series) and 20 year limited warranty (1260 Series) on cast iron closers.
- 15 year limited warranty (1250 series) and 25 year limited warranty (1450 series) on cast aluminum closers.

See General Information Section for complete warranty details.

SPECIFICATIONS

Refer to "SPECIFICATIONS" section for suggested architectural specifications.

MATERIALS

- High strength **cast iron** (1260, 1460, 1460T) or **cast aluminum** (1250, 1450) cylinder.
- **Forged steel** main arm for all EDA, Cush, 1460HD and 1460T Arms.
- One piece **forged steel** piston.
- Heat treated pinion.
- LCN's standard **all weather fluid** performs to temperature ranges from 120°F (49°C) to -30°F (-35°C).
- **High efficiency, full complement**, low friction bearings.
- Tamper resistant regulating screws.
- Full rack and pinion hydraulic action.
- Quiet, low friction track and roller combination for all single lever arm closers.

FINISHES

- Available in six standard or a wide selection of optional custom powder coat finishes to blend with door and frame.
- LCN's powder coat finish surpasses 100 hours of salt spray which is over four times the ANSI standard for corrosion resistance.

- Painted finishes on cast aluminum closers (1250, 1450).
- For installations where a higher level of corrosion resistance is required, LCN offers an optional special rust inhibiting (SRI) pre-treatment (cast iron). Closers that combine the exclusive LCN powder coat finish and the SRI pre-treatment exceed the ANSI standard for corrosion resistance even further.
- Plated finishes are available as an option to accent door and frame for the 1460 Series closers.

LISTINGS & APPROVALS

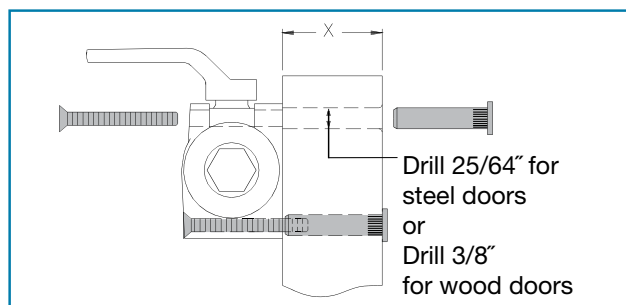
UL listed for self-closing doors without hold-open under "SWINGING DOOR CLOSERS" (GVEV) file R 1943. Tested and certified under ANSI Standard A156.4 grade one. Consult factory for details. Consult factory for other listings such as; cUL, California State Fire Marshal, Bureau of Standards and Appeals.

POSITIVE PRESSURE

LCN closers have been certified for three hours by UL to be in compliance with UL 10 C. Contact LCN for specific details on door closer fire ratings.

FASTENERS

1260, 1460, 1460T series closers are shipped with: A standard SELF-REAMING and TAPPING SCREW (SRT) pack that contains Philips head SRT screws to install the closer. 1250 and 1450 series closers are shipped with: A universal screw pack to include self reaming and tapping screws (SRT), machine screws and wood screws. Standard LCN thru bolts (TB) can be installed on 1-3/4" (44 mm) thick doors with 1/4"-20 machine screws. Optional thru bolt (TB) sizes are available for 1-5/8" (41 mm) or 1-3/8" (35 mm) door thickness, but this must be specified when ordering.



Notes:

1. For Thru Bolts, specify door thickness if other than 1-3/4" (44 mm). Represented in diagram as dimension "X".
2. Phillips head, metric machine screws are available, please specify.
3. LCN recommends the use of wood screws in wood door applications.

MAINTENANCE

Closers mounted according to LCN installation instructions require no periodic maintenance or adjustments.



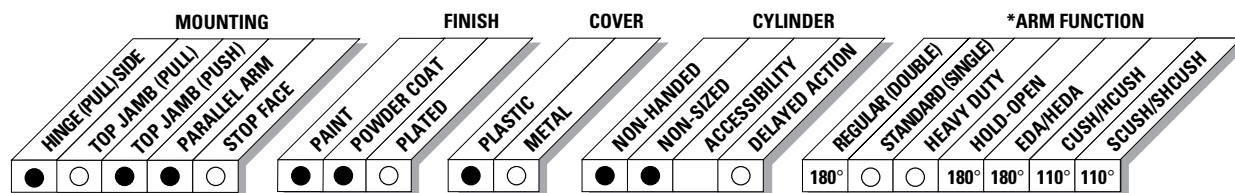
The 1250 Series cast aluminum closer is designed for low-frequency and low abusive traffic areas. This cast aluminum closer is ideal for aluminum storefronts, interior offices and many other applications. Combining dependable operation, low maintenance and a patented stylish look - with or without the optional slim line cover. And with the most common hole pattern in the industry, the 1250 Series is the perfect choice for easy aftermarket replacement.

Certifications	Grade 1 - ANSI A156.4, UL 10C, ADA, 100 Hour Salt Spray, Meets BAA - Buy American Act
Body Construction	<ul style="list-style-type: none"> ■ Cast Aluminum Body ■ Full Complement Bearing ■ 1-3/8" Diameter Piston ■ 5/8" Diameter Single Heat Treated Pinion Journal
Fluid	All Weather Fluid
Handing	Non-Handed
Templating	Peel-n-Stick templates - 3/4" x 9-1/16" Mounting Hole Pattern
Size	Adjustable Spring Size 1-5
Warranty	15 years

Cover	<ul style="list-style-type: none"> ■ Slim Line Cover, Optional
Fasteners	Universal Screw Pack (UNIV)
Mounting	Hinge (Pull Side), Top Jamb (Push Side), Parallel Arm (Push Side)
Arms	Tripack includes Regular, Top Jamb, and Parallel Arm (Rw/PA)
Finishes/Colors/ Powder Coat	<ul style="list-style-type: none"> ■ Aluminum (689) ■ Statuary Bronze (690) ■ Light Bronze (691) ■ Black (693) ■ Dark Bronze (695) ■ Brass (696) ■ Custom colors optional
	<ul style="list-style-type: none"> ■ Optional SRI primer - powder coat only

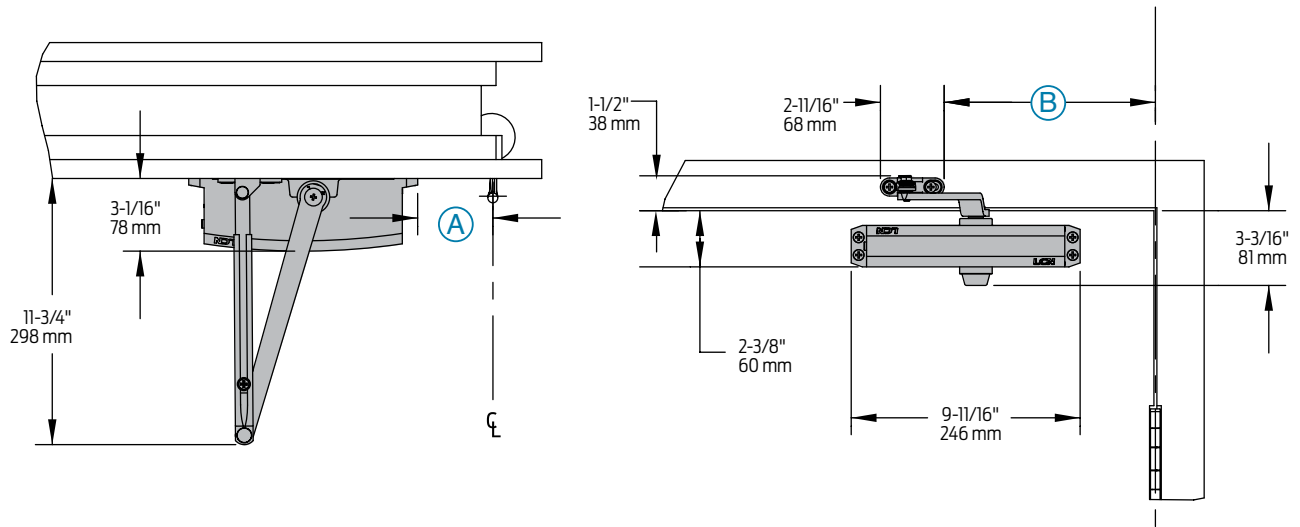
Special Templates

Customized installation templates or products may be available to solve unusual applications. Contact LCN Product Support for assistance.

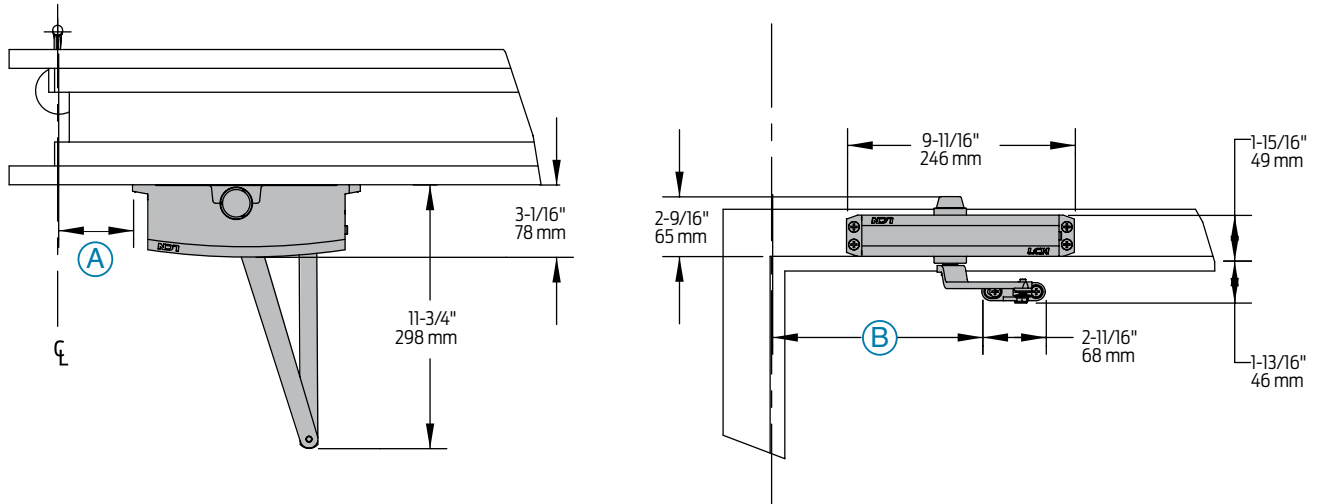


● AVAILABLE
○ NOT AVAILABLE

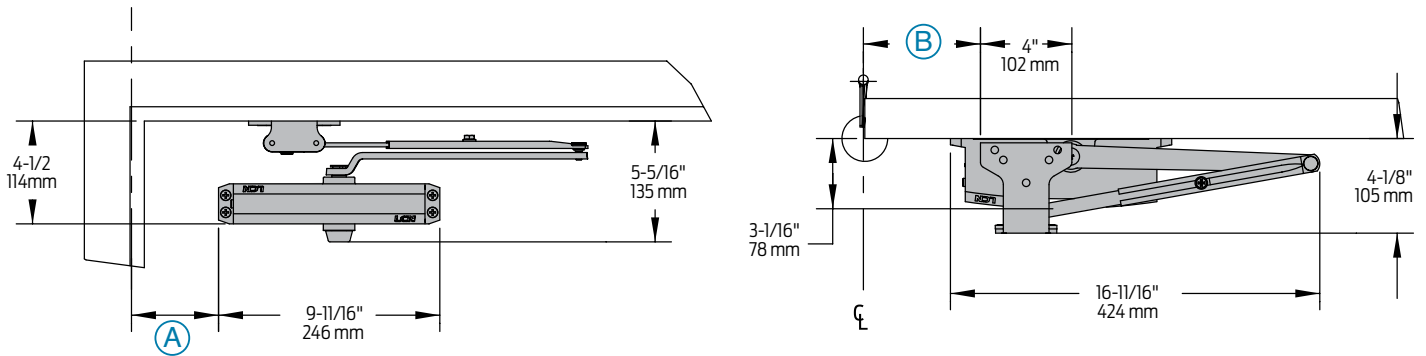
♿ Closer available with less than 5.0 lbs. opening force on 36" door.
* Maximum opening/hold-open point with standard template.



Butt Hinges	Should not exceed 5" (127 mm) in width
Auxiliary Stop	Recommended at hold-open point or where a door cannot swing 180°
Reveal	Should not exceed 3/4" (19 mm) for regular arm or 1/2" (13 mm) for hold-open arm
Top Rail	Less than 2-3/8" (60 mm) requires PLATE, 1250-18
Clearance	3-1/16" (78mm) behind door required for installation.
Maximum opening	100°: A = 6-11/16" (170mm) B = 12-7/16" (316 mm)
	101° to 120°: A = 5-11/16" (144mm) B = 11-7/16" (291 mm)
	or *121° to 180°: A = 3-1/16" (78 mm) B = 8-15/16" (227 mm)
Hold-open points up to maximum opening with hold-open arm	
*Frame and trim permitting.	



Butt Hinges	Should not exceed 5" (127 mm) in width		
Auxiliary Stop	Recommended at hold-open point or where a door cannot swing 180°		
Reveal	Arm Type	Maximum Reveal	Opening
	Regular Arm	0" to 5"	180°
	Long Arm	4" to 8"	165°
	Hold-Open Arm	0" to 2-3/4"	180°
	Long Hold-Open Arm	2" to 6-1/2"	180°
Top Rail	Requires 1-3/4" (44 mm) minimum. 2-1/2" (64 mm) minimum with closer on PLATE, 1250-18		
Head Frame	Less than 1-3/4" (44 mm) requires PLATE, 1250-18. For flush ceiling condition with 2" (51 mm) head frame, use PLATE, 1250-18. (Plate requires 1-3/8" (35 mm) minimum.)		
Maximum opening	100°:	A = 7-3/16" (183 mm) B = 12-15/16" (329 mm)	
	101° to 120°:	A = 5-11/16" (144 mm) B = 11-7/16" (291 mm)	
	or *121° to 180°:	A = 3-1/16" (78 mm) B = 8-15/16" (227 mm)	
	Hold-open points up to maximum opening with hold-open arm		
	*Frame and trim permitting.		



The 'A' dimension refers to the edge of the closer body to the center line of pivot or hinge.

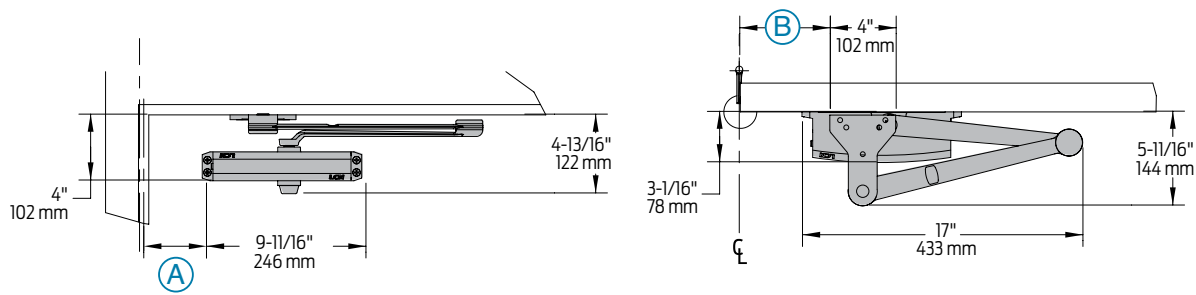
The 'B' dimension refers to the edge of the closer shoe bracket to the center line of pivot or hinge.

Butt Hinges	Should not exceed 5" (127 mm) in width
Auxiliary Stop	Recommended at hold-open point, where a door cannot swing 180°, or where CUSH-N-STOP arm is not used
Top Rail	Less than 4-1/2" (114 mm) measured from the stop requires PLATE, 1250-18PA
Clearance	1250-62PA shoe projects 4-1/8" (105 mm) from door face
Stop Width	Minimum 1" (25 mm)
Blade Stop	Clearance, requires 1/2" (13 mm) BLADE STOP SPACER, 1250-61
Auxiliary Shoe	1250-62A allows installation of regular arm with overhead holder/stop
Maximum opening	Regular or hold-open arm can be templated to 100°: A = 7-5/16" (186 mm) B = 8-5/8" (219 mm) or 101° to 130°: A = 5-13/16" (148 mm) B = 7-1/8" (181 mm) or *131° to 180°: A = 3-13/16" (97 mm) B = 5-1/8" (130 mm) Hold-open points up to maximum opening with hold-open arm. *Frame and trim permitting.

Note:

• 1250 Parallel arm closer includes 1250-201 FIFTH HOLE SPACER to support PA SHOE

EDA mount

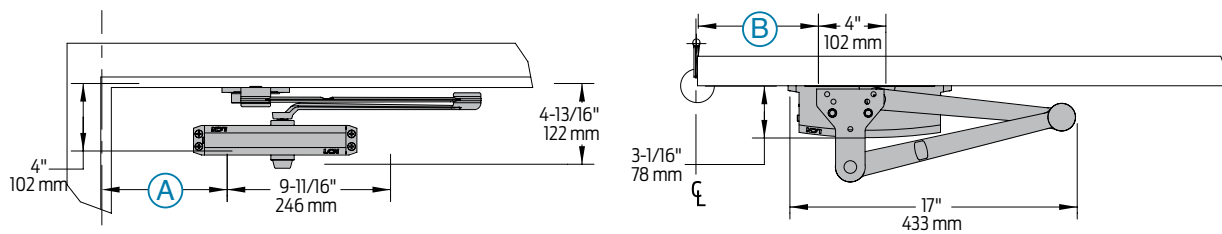


1250
Series

Mounting details

EDA and CUSH -N-STOP
mounting

CUSH/SCUSH mount



The 'A' dimension refers to the edge of the closer body to the center line of pivot or hinge.
The 'B' dimension refers to the edge of the closer shoe bracket to the center line of pivot or hinge.

Clearance	1250-62EDA or CUSH shoe projects 5-11/16" (144mm) from door face	
Head Frame	Flush or rabbeted requires CUSH FLUSH PANEL ADAPTER, 1250-419	
EDA or CUSH ARM	Requires soffit SHOE SUPPORT, 1250-30 for fifth screw anchorage where reveal is less than 2-3/4" (70mm)	
Spring CUSH	Dead stop points are approximately 5° more than templated stop point.	
Maximum opening	EDA template allows 180°. Hold-open point up to maximum opening	CUSH arms can be templated for maximum opening/hold-open point at 85°
	100°: A = 7-5/16" (186mm) B = 9" (229 mm)	85°: A = 8-13/16" (224 mm) B = 10-1/2" (267 mm)
	or 130°: A = 5-13/16" (148 mm) B = 7-1/2" (191 mm)	90°: A = 8-1/16" (205 mm) B = 9-3/4" (248 mm)
	or 180°: A = 3-13/16" (97 mm) B = 5-1/2" (140 mm)	100°: A = 6-11/16" (170 mm) B = 8-3/8" (213 mm)
		105°: A = 6-1/16" (154 mm) B = 7-3/4" (197 mm)
		110°: A = 5-7/16" (138 mm) B = 7-1/8" (181 mm)

Note:

• 1250 closers ordered with EDA, CUSH or SPRING CUSH arms include 1250-201 FIFTH HOLE SPACER to support the shoe

Cylinders



1250-3071
Cast Aluminum Cylinder Assembly

- Non-handed
- Standard

Covers



1250-72
Slim Line Plastic Cover

- Non-handed
- Optional

Installation Accessories



1250-18
Plate

- Required for hinge side mount where top rail is less than 2-3/8" (60mm)
- Required for top jamb mounting where head frame is less than 1-3/4" (44 mm) or flush ceiling condition exists
- Requires minimum 1-1/2" (38 mm) minimum top rail or 1-1/4" (32 mm) head frame



1250-18PA
Plate

- Required for parallel arm mounting where top rail is less than 4-1/2" (114mm), measured from the stop
- Requires 1-3/4" (44 mm) minimum top rail



1250-30
CUSH Shoe Support

- Provide anchorage for fifth screw used with CUSH arms where reveal is less than 2-3/4" (70mm)



1250-61
Blade Stop Spacer

- Lowers parallel arm shoe to clear 1/2" (13 mm) blade stop



1250-62A
Auxiliary Shoe

- Requires a top rail of 7-1/8" (181mm). Optional shoe replaces -62PA for parallel arm mounting of regular arm with overhead holder/stop



1250-419
PA Flush Panel Adapter

- Provides horizontal mounting surface for PA, EDA or CUSH shoe on single rabbeted or flush frame



1250-62PA
PA Shoe

- Required for parallel arm mounting

Arms



1250-3077
Regular Arm w/PA

- Non-handed
- Mounts hinge side or top jamb
- Parallel Arm includes PA SHOE, 1250-62PA required for parallel arm mounting



1250-3077L
Long Arm

- Non-handed
- Includes LONG ROD AND SHOE, 1250-79LR for top jamb mount with deep reveals
- Optional



1250-3077EDA
Extra Duty Arm

- Non-handed
- Features solid forged steel main and forearm for potentially abusive installations
- Optional



1250-3049EDA
Hold-Open Extra Duty Arm

- Handed
- Provides hold-open function adjustable at shoe
- Optional



1250-3049
Hold-Open Arm w/ PA

- Non-handed
- Mounts hinge side, top jamb or parallel arm (62PA required)
- Hold-open adjustable at shoe
- Optional



1250-3049L
Long Hold-Open Arm

- Non-handed
- Includes LONG HEAD AND TUBE, 1250-3048L for top jamb mount with deep reveals
- Optional



1250-3077CNS
Cush-n-Stop® Arm

- Non-handed
- Features solid forged steel main arm and forearm with stop in soffit shoe
- Optional



1250-3049CNS
HCUSH Arm

- Non-handed
- Provides hold-open function with templated stop/hold-open points.
- Handle controls hold-open function
- Optional



1250-3077SCNS
Spring CUSH Arm

- Non-handed
- For abusive applications features solid forged steel main arm and forearm with spring loaded stop in the soffit shoe
- Optional



1250-3049SCNS
Spring HCUSH Arm

- Non-handed
- For abusive applications features solid forged steel main arm and forearm with spring loaded stop in the soffit shoe
- Handle controls hold-open function
- Optional

How-to-order 1250 Series closers

Select finish

- Standard Powder Coat _____
Aluminum, Dark Bronze, Statuary,
Light Bronze, Black, Brass

Closer will be shipped with:

- Standard cylinder
- Tri pack arm (Rw/PA)
- Universal screw pack
unless options listed below are selected.

Closer options

Cover

- Slim line cover (SLIM)

Finish

- Custom Powder Coat (RAL)
- SRI primer

Arm

- Regular w/62PA (Rw/PA)
- Long (LONG)
- Regular w/62A (R/62A)
- Hold-Open w/62PA (Hw/PA)
- Long Hold-Open (HLONG)
- Extra Duty (EDA)
- Hold-Open Extra Duty (HEDA) - specify handing
- Cush-N-Stop (CUSH)
- HCush (HCUSH)
- Spring CUSH (SCUSH)
- Spring HCUSH (SHCUSH)

Optional screw packs

- TORX Machine Screw (TORX)
- TB* & TORX Machine Screw (TBTORX)
- * Specify door thickness if other than 1-3/4"

Installation accessories

- Plate, 1250-18
- Plate, 1250-18PA
- CUSH Shoe Support, 1250-30
- Blade Stop Spacer, 1250-61
- Auxiliary Shoe, 1250-62A
- PA Flush Panel Adapter, 1250-419

Special template

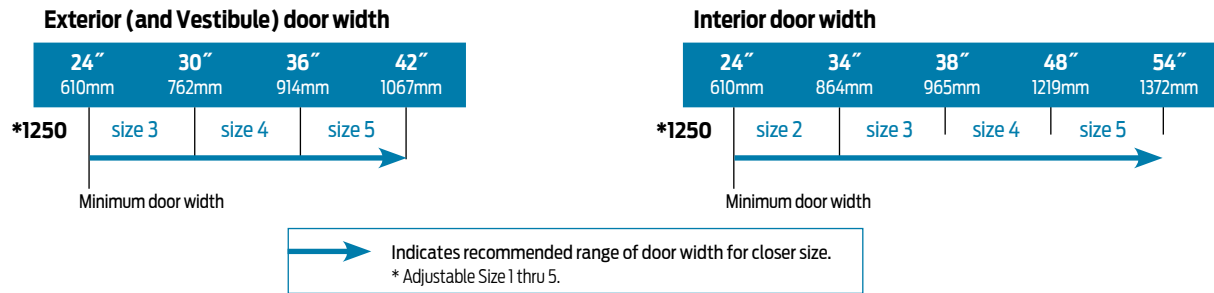
- ST- _____

Meets Buy American Act

- BAA

Table of sizes

- Select closer based on width of door.
- The spring power of a 1250 cylinder is field adjustable from size 1 through size 5 and is shipped adjusted to size 3.




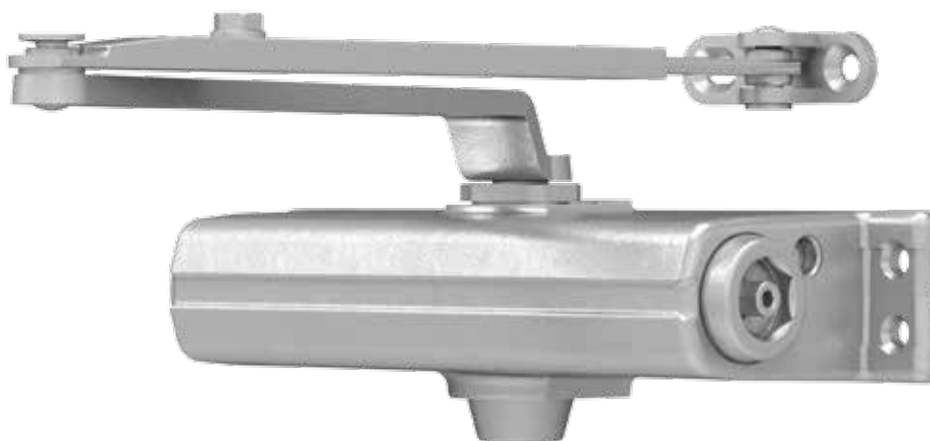
Reduced opening force 1250 Series closers

CAUTION! Any manual door closer, including those certified by BHMA to conform to ANSI Standard A156.4, that is selected, installed and adjusted based on ADA or other reduced opening force requirements may not provide sufficient power to reliably close and latch a door.

Refer to POWER OPERATORS section for information on systems that meet reduced opening force requirements without affecting closing power.

* Maximum opening force.

	DOOR WIDTH	36"	42"	48"
	8.5* lbs.	1250	1250	1250
	5.0* lbs.	1250	1250	1250

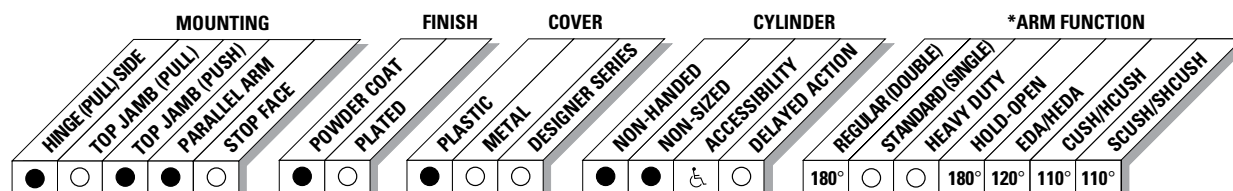


The 1260 is a light to medium duty cast iron closer designed to fit into the most common commercial foot print. The 1260 is adjustable for spring sizes 1-5. The 1260 also features a complete line of regular and extra duty arms, LCN's peel-n-stick installation templates, a convenient spring adjust pointer, and an optional Quick Fix™ bracket kit.

Certifications	Grade 1 - ANSI A156.4, UL 10C, ADA, 100 Hour Salt Spray, Meets BAA - Buy American Act	Cover	<ul style="list-style-type: none"> ■ Slim Line Cover, Optional
Body Construction	<ul style="list-style-type: none"> ■ Cast Iron Body ■ Full Complement Bearing ■ 1-3/8" Diameter Piston ■ 5/8" Diameter Single Heat Treated Pinion Journal 	Fasteners	Self Reaming and Tapping Screws (SRT)
Fluid	All Weather Fluid	Mounting	Hinge (Pull Side), Top Jamb (Push Side), Parallel Arm (Push Side)
Handing	Non-Handed	Arms	Regular Arm
Templating	Peel-n-Stick templates - 3/4" x 9-1/16" Mounting Hole Pattern	Finishes/Colors/Powder Coat	<ul style="list-style-type: none"> ■ Aluminum (689) ■ Statuary Bronze (690) ■ Light Bronze (691) ■ Black (693) ■ Dark Bronze (695) ■ Brass (696) ■ Custom colors optional
Size	Adjustable Spring Size 1-5		<ul style="list-style-type: none"> ■ Optional SRI primer - powder coat only
Warranty	20 years		

Special Templates

Customized installation templates or products may be available to solve unusual applications. Contact LCN Product Support for assistance.



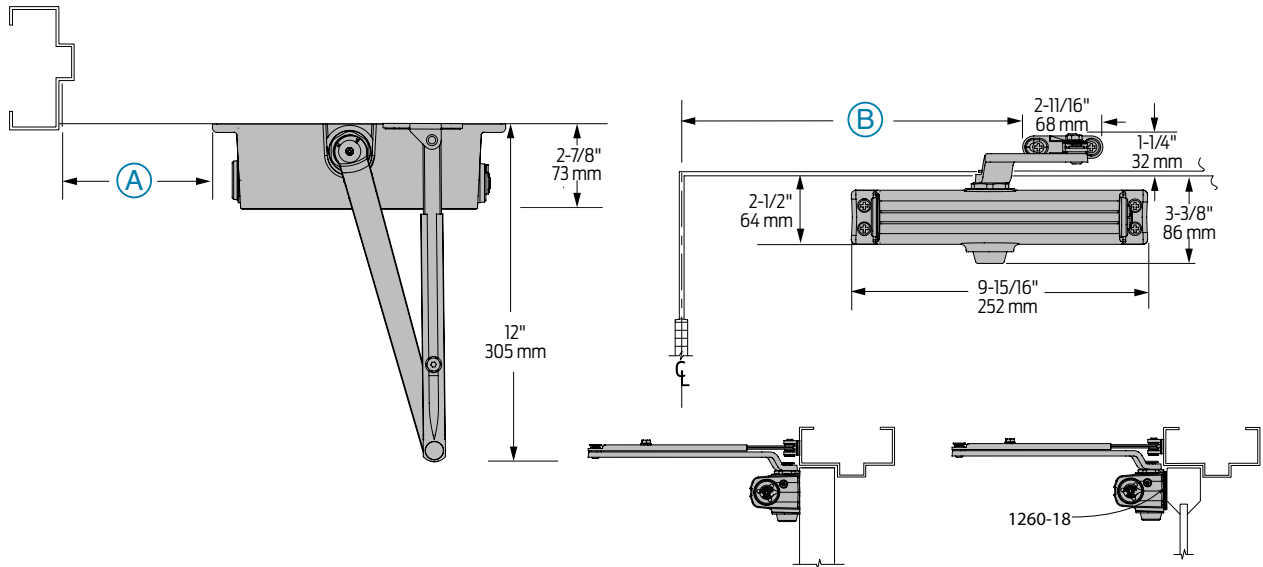
● AVAILABLE
○ NOT AVAILABLE

♿ Closer available with less than 5.0 lbs. opening force on 36" door.
* Maximum opening/hold-open point with standard template.

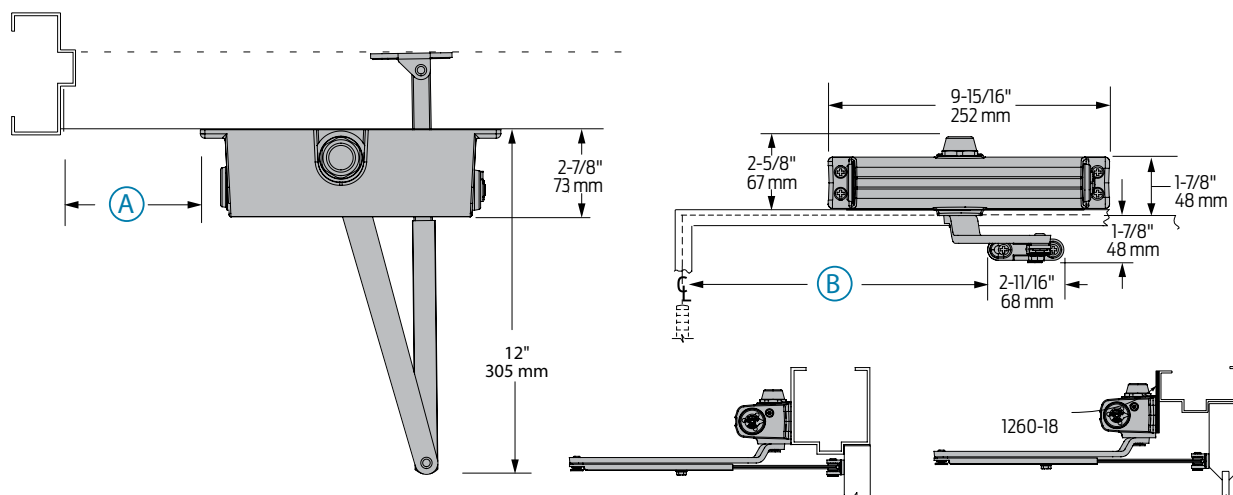
1260 Series

Mounting details

Hinge (Pull) Side Mounting



Butt Hinges	Should not exceed 5" (127 mm) in width
Auxiliary Stop	Recommended at hold-open point or where a door cannot swing 180°
Reveal	Should not exceed 3/4" (19 mm) for regular arm or 1/2" (13 mm) for hold-open arm
Top Rail	Less than 2-1/2" (64 mm) requires PLATE, 1260-18
Clearance	2-7/8" (73 mm) behind door required for installation
Maximum opening	<p>110°: A = 6-9/16" (167 mm) B = 12-7/16" (316 mm)</p> <p>101° to 120°: A = 5-9/16" (141 mm) B = 11-7/16" (291 mm)</p> <p>or *121° to 180°: A = 3-1/16" (78 mm) B = 8-15/16" (227 mm)</p> <p>Hold-open points up to maximum opening with hold-open arm *Frame and trim permitting.</p>

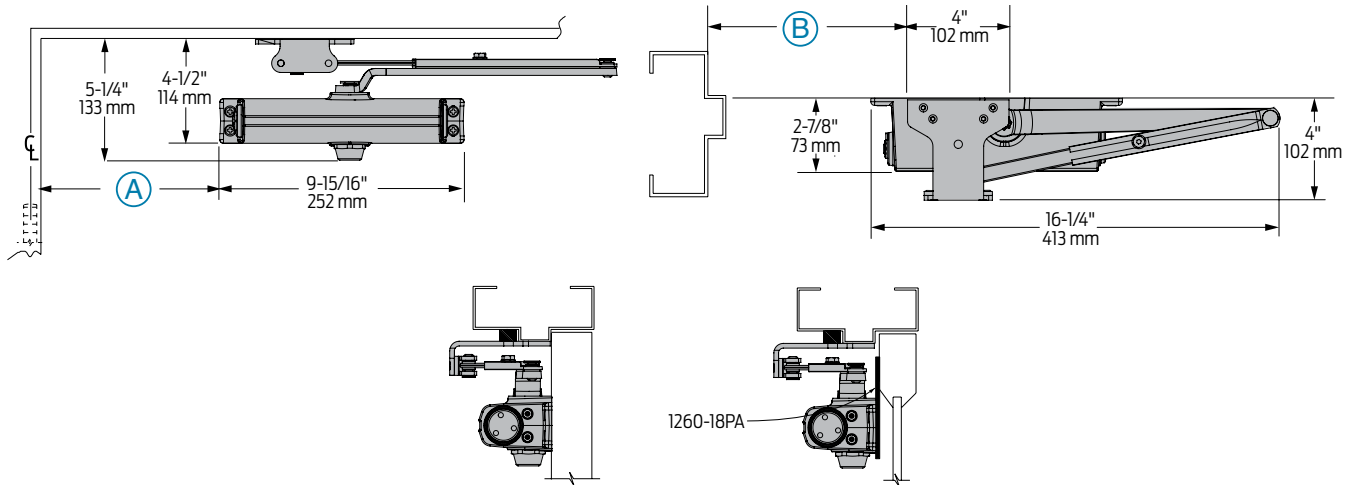


Butt Hinges	Should not exceed 5" (127 mm) in width		
Auxiliary Stop	Recommended at hold-open point or where a door cannot swing 180°		
Reveal	Arm Type	Maximum Reveal	Opening
	Regular Arm	3-1/2"	Up to 120°
	Regular Arm	2-1/4"	121° to 180°
	Long Arm	7-1/2"	Up to 120°
	Long Arm	3-1/2"	121° to 180°
	Hold-Open Arm	2"	Up to 120°
	Hold-Open Arm	2-1/4"	121° to 180°
	Long Hold-Open Arm	4-1/2"	Up to 120°
	Long Hold-Open Arm	4-1/2"	121° to 160°
Top Rail	1-3/4" (44 mm) minimum. 2-1/2" (64 mm) minimum with closer on PLATE, 1260-18		
Head Frame	Less than 1-3/4" (44 mm) requires PLATE, 1260-18. For flush ceiling condition with 2" (51 mm) head frame, use PLATE, 1260-18. (Plate requires 1-3/8" (35 mm) minimum.)		
Maximum opening	110°:	A = 7-1/16" (179 mm) B = 12-15/16" (329 mm)	
	101° to 120°:	A = 5-9/16" (141 mm) B = 11-7/16" (291 mm)	
	or *121° to 180°:	A = 3-1/16" (78 mm) B = 8-15/16" (227 mm)	
	Hold-open points up to maximum opening with hold-open arm *Frame and trim permitting.		

1260 Series

Mounting details

Parallel Arm (Push Side) Mounting

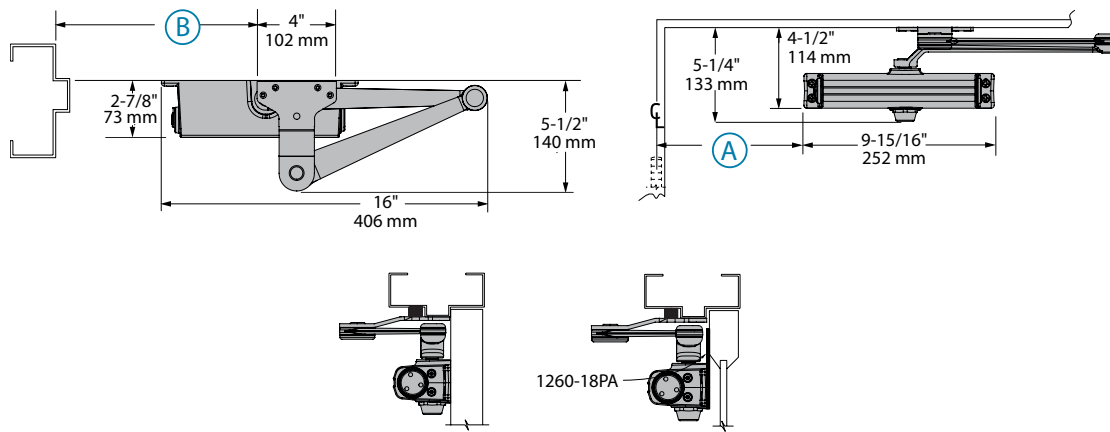


Butt Hinges	Should not exceed 5" (127 mm) in width
Auxiliary Stop	Recommended at hold-open point, where a door cannot swing 180°, or where CUSH-N-STOP arm is not used
Top Rail	Less than 4-3/8" (111 mm) measured from the stop requires PLATE, 1260-18PA
Clearance	1260-62PA shoe projects 4" (102 mm) from door face
Stop Width	Minimum 1" (25 mm)
Blade Stop	Clearance, requires 1/2" (13 mm) BLADE STOP SPACER, 1260-61
Auxiliary Shoe	1260-62A allows installation of regular arm with overhead holder/stop. Special templating required
Maximum opening	Regular or hold-open arm can be templated to 100°: A = 7-3/16" (183 mm) B = 8-5/8" (219 mm) or 101° to 130°: A = 5-11/16" (144 mm) B = 7-1/8" (181 mm) or *131° to 180°: A = 3-11/16" (94 mm) B = 5-1/8" (130 mm)
	Hold-open points up to maximum opening with hold-open arm. *Frame and trim permitting.

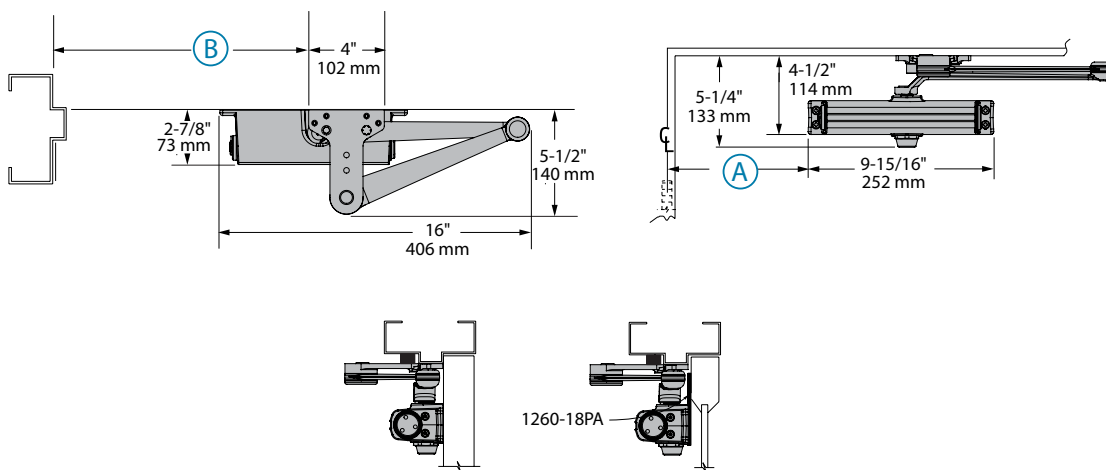
Notes:

- Optional mounting requires PA SHOE, 1260-62PA for REGULAR or HOLD-OPEN arms
- 1260 Parallel arm closer includes 1260-201 FIFTH HOLE SPACER to support PA SHOE

EDA mount



CUSH mount



Clearance	1260-62EDA or CUSH shoe projects 5-1/2" (140 mm) from door face	
Head Frame	Flush or rabbeted requires CUSH FLUSH PANEL ADAPTER, 1260-419	
EDA or CUSH ARM	Requires SHOE SUPPORT, 1260-30 for fifth screw anchorage where reveal is less than 3-1/16" (78 mm)	
Maximum opening	EDA template allows 120°. Hold-open point up to maximum opening	CUSH arms can be templated for maximum opening/hold-open point at
	90°: A = 4-13/16" (122 mm) B = 9-1/2" (241 mm)	85°: A = 5-5/16" (135 mm) B = 10" (254 mm)
	or 120°: A = 3-5/16" (84 mm) B = 8" (203 mm)	90°: A = 4-11/16" (119 mm) B = 9-3/8" (238 mm)
	Hold-open points up to maximum opening with HEDA arm	100°: A = 3-9/16" (90 mm) B = 8-1/4" (210 mm)
		110°: A = 2-13/16" (71 mm) B = 7-1/2" (191 mm)

Note:

• 1260 closers ordered with EDA, CUSH or SPRING CUSH arms include 1260-201 FIFTH HOLE SPACER to support the shoe.

Cylinders



1261(2)(3)(4)(5)-3071
Cast Iron Cylinder Assembly

- Non-handed
- Standard

Covers



1260-72
Slim Line Plastic Cover

- Non-handed
- Optional

Installation Accessories



1260-18
Plate

- Required for hinge side mount where top rail is less than 2-1/2" (64 mm)
- Required for top jamb mounting where head frame is less than 1-3/4" (44 mm) or flush ceiling condition exists
- Requires minimum 1-1/2" (38 mm) minimum top rail or 1-1/4" (32 mm) head frame



1260-18PA
Plate

- Required for parallel arm mounting where top rail is less than 4-3/8" (111 mm), measured from the stop
- Requires 1-3/4" (44 mm) minimum top rail



1260-18QF
Quick Fix™ Bracket Kit

- Optional kit includes retro-fit mounting plates for 1371 closer cylinder and shoe
- Useful in applications when previously drilled holes are damaged



1260-30
CUSH Shoe Support

- Provide anchorage for fifth screw used with CUSH arms where reveal is less than 3-1/16" (78 mm)



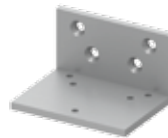
1260-61
Blade Stop Spacer

- Lowers parallel arm shoe to clear 1/2" (13 mm) blade stop



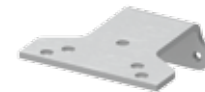
1260-62A
Auxiliary Shoe

- Requires a top rail of 7" (178 mm)
- Optional shoe replaces-62PA for parallel arm mounting of regular arm with overhead holder/stop



1260-419
PA Flush Panel Adapter

- Provides horizontal mounting surface for PA, EDA or CUSH shoe on single rabbeted or flush frame



1260-62PA
PA Shoe

- Required for parallel arm mounting

Arms



1260-3077
Regular Arm

- Non-handed
- Mounts hinge side or top jamb
- Parallel Arm includes PA SHOE, 1260-62PA required for parallel arm mounting



1260-3077L
Long Arm

- Non-handed
- Includes LONG ROD AND SHOE, 1260-79LR for top jamb mount with deep reveals
- Optional



1260-3049
Hold-open Arm

- Non-handed
- Mounts hinge side, top jamb or parallel arm (62PA required)
- Hold-open adjustable at shoe
- Optional



1260-3049L
Long Hold-open Arm

- Non-handed
- Includes LONG HEAD AND TUBE, 1260-3048L for top jamb mount with deep reveals
- Optional



1260-3077EDA
Extra Duty Arm

- Non-handed
- Features solid forged steel main and forearm for potentially abusive installations
- Optional 1260-3077EDA/G for blade stop clearance



1260-3077EDA/62G
Extra Duty Arm w/ 62G

- Non-handed
- Features solid forged steel main and forearm for potentially abusive installations



1260-3049EDA
Hold-Open Extra Duty Arm

- Handed arm
- Provides hold-open function adjustable at shoe
- Optional



1260-3077CNS
Cush-n-Stop® Arm

- Non-handed
- Features solid forged steel main arm and forearm with stop in soffit shoe
- Optional



1260-3049CNS
HCUSH Arm

- Non-handed
- Provides hold-open function with templated stop/hold-open points.
- Handle controls hold-open function
- Optional

How-to-order 1260 Series closers

Select finish

- Standard Powder Coat _____
Aluminum, Dark Bronze, Statuary,
Light Bronze, Black, Brass

Closer will be shipped with:

- Standard cylinder
- Regular arm
- Self-reaming and tapping screws
unless options listed below are selected.

Closer options

Cover

- Slim line cover (SLIM)

Finish

- Custom Powder Coat (RAL)
- SRI primer (for use with powder coat finishes only)

Arm

- Regular w/62PA (Rw/PA)
- Long (LONG)
- Regular w/62A (R/62A)
- Hold-Open (H)
- Hold-Open w/62PA (Hw/PA)
- Long Hold-Open (HLONG)
- Extra Duty (EDA) (optional -62G)
- Hold-Open Extra Duty (HEDA) - specify handing (optional -62G)
- Cush-N-Stop (CUSH)
- HCush (HCUSH)

Optional screw packs

- TB* w/Self-Reaming and Tapping Screws (TBSRT)
- Wood & Machine Screw (WMS)
- TB*, Wood & Machine Screw (TBWMS)
- TORX Machine Screw (TORX)
- TB* & TORX Machine Screw (TBTORX)
- * Specify door thickness if other than 1-3/4"

Installation accessories

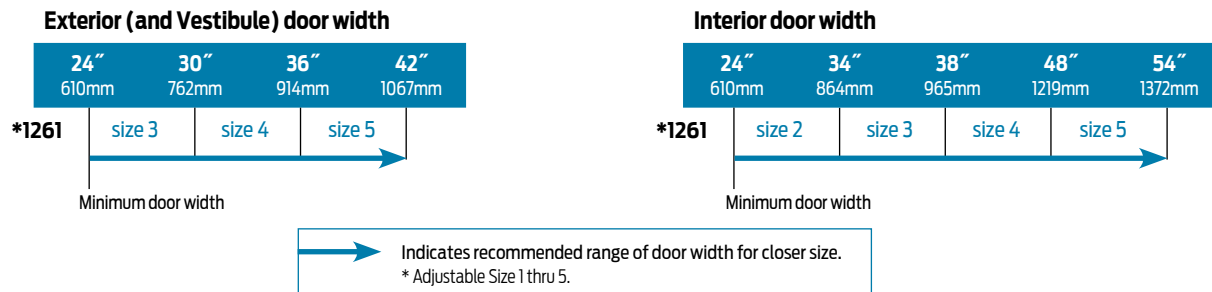
- Plate, 1260-18
- Plate, 1260-18PA
- CUSH Shoe Support, 1260-30
- Blade Stop Spacer, 1260-61
- Auxiliary Shoe, 1260-62A
- PA Flush Panel Adapter, 1260-419
- Quick Fix™ Bracket Kit, 1260-18QF

Special template

- ST- _____

Table of sizes

- Select closer based on width of door.
- The spring power of a 1261 cylinder is field adjustable from size 1 through size 5 and is shipped adjusted to size 3.




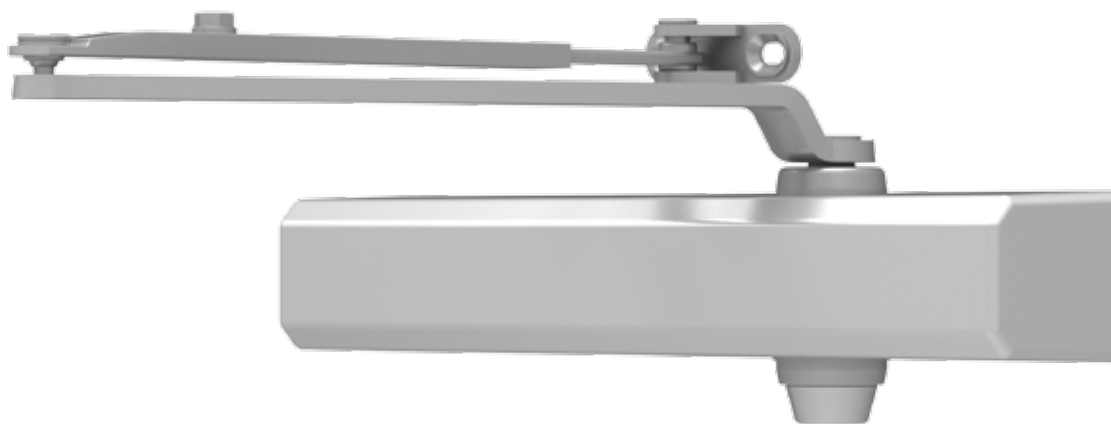
Reduced opening force 1260 Series closers

CAUTION! Any manual door closer, including those certified by BHMA to conform to ANSI Standard A156.4, that is selected, installed and adjusted based on ADA or other reduced opening force requirements may not provide sufficient power to reliably close and latch a door.

Refer to POWER OPERATORS section for information on systems that meet reduced opening force requirements without affecting closing power.

* Maximum opening force.

	DOOR WIDTH	36"	42"	48"
	8.5* lbs.	1261	1261	1261
	5.0* lbs.	1261	1261	1261

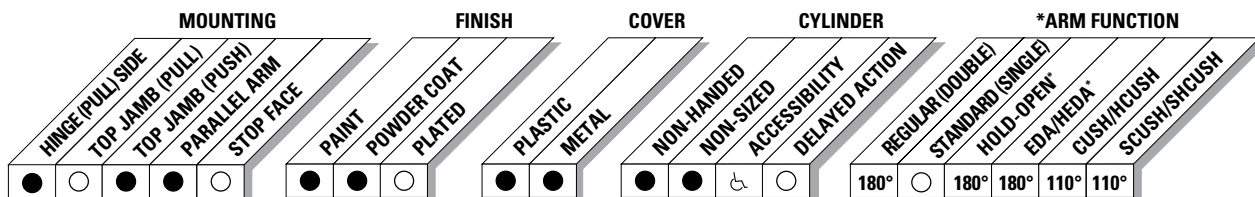


The 1450 Series cast aluminum closer was specially designed to deliver consistent, dependable, long-term performance in frequently-used, low-abusive traffic areas. The patented design, featuring the industry's most common hole pattern, is an excellent choice for a range of applications - from aftermarket replacement to aluminum store fronts, to new construction projects - anywhere quality, reliability and value are important.

Certifications	Grade 1 - ANSI A156.4, UL 10C, ADA, 100 Hour Salt Spray, Meets BAA - Buy American Act	Cover	<ul style="list-style-type: none"> ■ Slim Line Plastic, Standard ■ Full Plastic and Metal, Optional
Body Construction	<ul style="list-style-type: none"> ■ Cast Aluminum Body ■ Full Complement Bearing ■ 1-1/4" Diameter Piston ■ 5/8" Diameter Single Heat Treated Pinion Journal 	Fasteners	Universal Screw Pack (UNIV)
Fluid	All Weather Fluid	Mounting	Hinge (Pull Side), Top Jamb (Push Side), Parallel Arm (Push Side)
Handing	Non-Handed	Arms	Standard regular pull side, and top jamb
Templating	Peel-n-Stick templates - 3/4" x 12" Mounting Hole Pattern	Finishes/Colors/ Powder Coat	<ul style="list-style-type: none"> ■ Aluminum (689) ■ Statuary Bronze (690) ■ Light Bronze (691) ■ Black (693) ■ Dark Bronze (695) ■ Brass (696) ■ Custom colors optional ■ Optional SRI primer - powder coat only
Size	Adjustable Spring Size 1-6		
Warranty	25 years		

Special Templates

Customized installation templates or products may be available to solve unusual applications. Contact LCN Product Support for assistance.



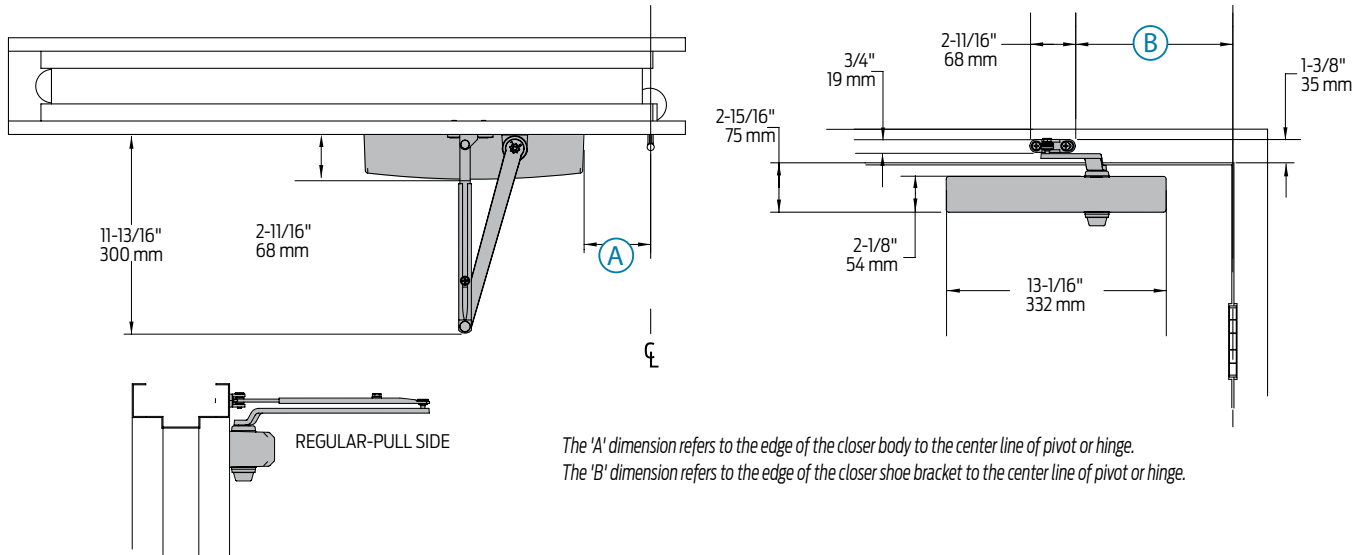
● AVAILABLE
○ NOT AVAILABLE

♿ Closer available with less than 5.0 lbs. opening force on 36" door.
* Maximum opening/hold-open point with standard template.
D = For designer series only.

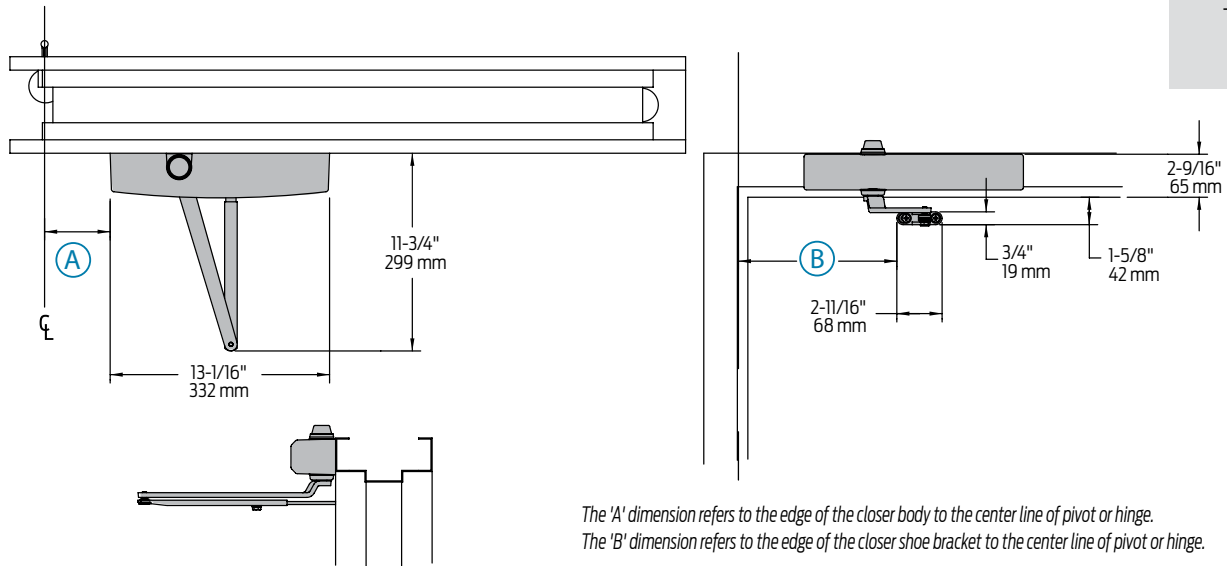
1450 Series

Mounting details

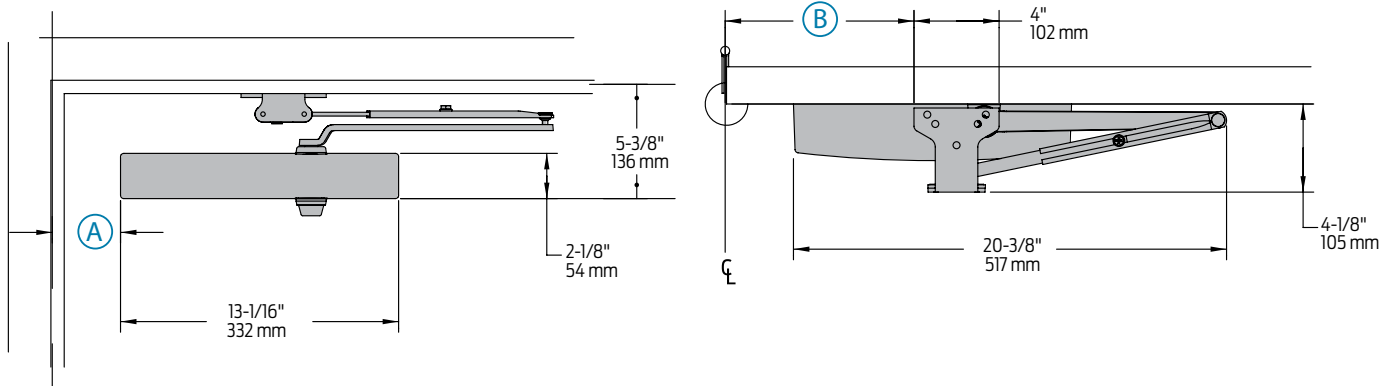
Hinge (Pull) Side Mounting



Butt Hinges	Should not exceed 5" (127 mm) in width
Auxiliary Stop	Recommended at hold-open point or where a door cannot swing 180°
Reveal	Should not exceed 3/4" (19 mm) for regular arm or 1/2" (13 mm) for hold-open arm
Top Rail	<ul style="list-style-type: none"> Less than 2-1/2" (64 mm) requires PLATE, 1450-18 With Full cover, use PLATE, 1450-18FC. Plate requires 1-1/2" (38 mm) minimum
Clearance	2-3/8" (60 mm) behind door required for installation
Maximum opening	100°: A = 7" (102 mm) B = 12-3/8" (314 mm)
	101° to 130°: A = 5-1/2" (140 mm) B = 10-7/8" (276 mm)
	131° to 180°: A = 4" (140 mm) B = 9-3/8" (238 mm)
	Hold-open points up to maximum opening with hold-open arm *Frame and trim permitting.



Butt Hinges	Should not exceed 5" (127 mm) in width		
Auxiliary Stop	Recommended at hold-open point or where a door cannot swing 180°		
Reveal	Arm Type	Reveal	Max Opening
	Regular Arm	5"	Up to 170°
	Regular Arm	3-3/4"	Up to 180°
	Long Arm	8"	Up to 155°
	Hold-Open Arm	2-3/4"	Up to 180°
	Long Hold-Open Arm	4-7/8"	Up to 140°
Top Rail	Requires 2-1/8" (54 mm) minimum. 3-3/8" (86 mm) minimum with closer on PLATE, 1450-18.		
Head Frame	Less than 1-3/4" (44 mm) requires PLATE, 1450-18. For flush ceiling condition with 1-3/4" (45 mm) head frame, use PLATE, 1450-18		
Maximum opening	100°:	A=7" (102 mm) B = 12-3/8" (314 mm)	
	101° to 130°:	A= 5-1/2" (140 mm) B = 10-7/8" (276 mm)	
	131° to 180°:	A= 4" (102 mm) B = 9-3/8" (238 mm)	
	Hold-open points up to maximum opening with hold-open arm. *Frame and trim permitting.		

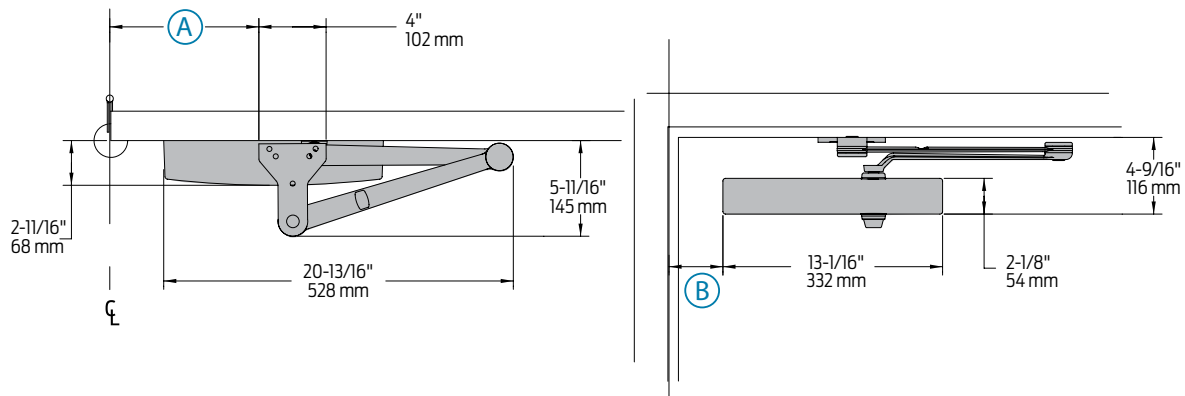


Butt Hinges	Should not exceed 5" (127 mm) in width		
Auxiliary Stop	Recommended at hold-open point, where a door cannot swing 180°, or where CUSH-N-STOP arm is not used		
Top Rail	<ul style="list-style-type: none"> Less than 5-1/4" (133 mm) measured from the soffit requires Plate requires 1-1/4" (32 mm) minimum. 		
	Cover	Minimum Top Rail (measured from soffit)	Plate Required
	Plastic	3-1/2" (89 mm)	1450-18
		2-1/4" (57 mm)	1450-18PA
	Metal	3-1/2" (89 mm)	1450-18FC
		2-1/4" (57 mm)	1450-18PAFC
Clearance	1450-62PA shoe projects 4-1/8" (105 mm) from door face		
Head Frame	Flush or single rabbeted requires PA SHOE ADAPTER, 1450-418		
Stop Width	Minimum 1" (25 mm)		
Blade Stop	Clearance, requires 1/2" (13 mm) BLADE STOP SPACER, 1450-61		
Auxiliary Shoe	1450-62A allows installation of regular arm with overhead holder/stop		
Maximum opening	Regular or hold-open arm can be templated to		
	120°:	A = 3-3/16" (81 mm) B = 8-7/8" (225 mm)	
	121° to 180°:	A = 11/16" (17 mm) B = 6-3/8" (162 mm)	
	Hold-open points up to maximum opening with hold-open arm.		

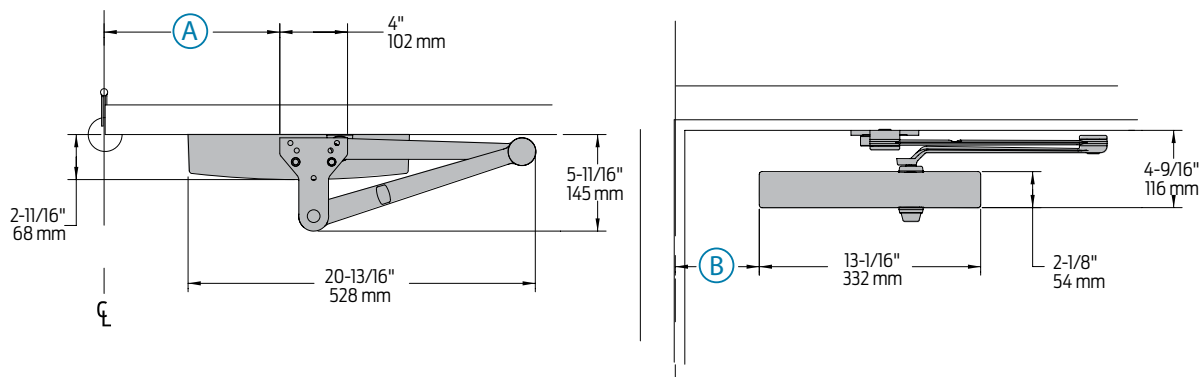
Notes:

- PA shoe is included with Rw/PA Arm
- 1450 closer includes 1450-201 FIFTH HOLE SPACER to support PA SHOE

EDA/HEDA mount



CUSH/HCUSH/SCUSH /SHCUSH mount



The 'A' dimension refers to the edge of the closer body to the center line of pivot or hinge.
 The 'B' dimension refers to the edge of the closer shoe bracket to the center line of pivot or hinge.

Clearance	1450-62EDA or CUSH shoe projects 5-11/16" (144mm) from door face	
Head Frame	Flush or rabbeted requires CUSH FLUSH PANEL ADAPTER, 1450-419	
EDA or CUSH ARM	Requires soffit SHOE SUPPORT, 1450-30 for fifth screw anchorage where reveal is less than 3-1/16" (78 mm)	
Spring CUSH	Dead stop points are approximately 5° more than templated stop points	
Maximum opening	EDA template allows 110°. Hold-open point up to maximum opening	CUSH arms can be templated for maximum opening/ hold-open point at 85°
	120°: A = 8-7/8" (225 mm) B = 3-3/16" (81 mm)	85°: A = 10-3/8" (279 mm) B = 4-15/16" (140 mm)
	over 120°: A = 6-3/8" (162 mm) B = 11/16" (17 mm)	90°: A = 9-5/8" (244 mm) B = 4-3/16" (106 mm)
		95°: A = 8-7/8" (225 mm) B = 3-7/16" (87 mm)
		100°: A = 8-1/4" (210 mm) B = 2-13/16" (71 mm)
		105°: A = 7-5/8" (194 mm) B = 2-3/16" (56 mm)
		110°: A = 7" (178 mm) B = 1-9/16" (40 mm)

Note:
 • 1450 closers ordered with EDA, CUSH or SPRING CUSH arms include 1450-201 FIFTH HOLE SPACER to support the shoe.

Cylinders

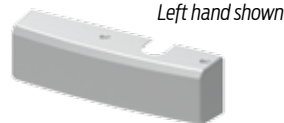


- 1450-3071**
Cast Aluminum Cylinder Assembly
- Non-handed
 - Standard

Covers



- 1450-72**
Slim Line Plastic Cover
- Non-handed
 - Standard



- 1450-72MC**
Metal Cover
- Handed
 - Optional



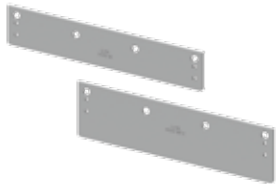
- 1450-72FC**
Full Plastic Cover
- Non-handed
 - Optional

Alternate Cover

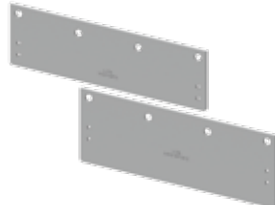


- 1450-72ALT**
Alternate Cover
- Non-handed
 - Optional, sold separately (not packed with closer)

Installation Accessories



- 1450-18 / 1450-18FC**
Plate
- Required for hinge side mount where top rail is less than 2-1/2" (64 mm)
 - Required for top jamb mounting where head frame is less than 1-3/4" (44 mm) or flush ceiling condition exists
 - Requires minimum 1-1/2" (38 mm) minimum top rail or 1-1/4" (32 mm) head frame
 - With full cover, use PLATE, 1450-18FC



- 1450-18PA / 1450-18PAFC**
Plate
- Required for parallel arm mounting where top rail is less than 4-3/8" (111mm), measured from the stop
 - Requires 1-3/4" (44 mm) minimum top rail
 - With full cover, use PLATE, 1450-18FC



- 1450-30**
CUSH Shoe Support
- Provide anchorage for fifth screw used with CUSH arms where reveal is less than 3-1/16" (78mm)



- 1450-61**
Blade Stop Spacer
- Lowers parallel arm shoe to clear 1/2" (13 mm) blade stop.



- 1450-62PA**
PA Shoe
- Required for parallel arm mounting



- 1450-62A**
Auxiliary Shoe
- Requires a top rail of 7" (178mm). Optional shoe replaces -62PA for parallel arm mounting of regular arm with overhead holder/stop



- 1450-419**
PA Flush Panel Adapter
- Provides horizontal mounting surface for PA, EDA or CUSH shoe on single rabbeted or flush frame

Arms



1450-3077
Regular Arm w/PA

- Non-handed
- Mounts hinge side or top jamb
- Includes PA SHOE, 1450-62PA required for parallel arm mounting



1450-3077L
Long Arm

- Non-handed
- Includes LONG ROD AND SHOE, 1450-79LR for top jamb mount with deep reveals
- Optional



1450-3049
Hold-Open Arm w/PA

- Non-handed
- Mounts hinge side, top jamb or parallel arm (62PA required)
- Hold-open adjustable at shoe
- Optional



1450-3049L
Long Hold-Open Arm

- Non-handed
- Includes LONG HEAD AND TUBE, 1450-3048L for top jamb mount with deep reveals
- Optional



1450-3077EDA
Extra Duty Arm

- Non-handed
- Features solid forged steel main and forearm for potentially abusive installations
- Optional 1450-3077EDA/G for blade stop clearance



1450-3077EDA/62G
Extra Duty Arm w/ 62G

- Non-handed
- Features solid forged steel main and forearm for potentially abusive installations
- Optional 1450-3077EDA/G for blade stop clearance



1450-3049EDA
Hold-Open Extra Duty Arm

- Handed arm
- Provides hold-open function adjustable at shoe
- Optional



1450-3077CNS
Cush-n-Stop® Arm

- Non-handed
- Features solid forged steel main arm and forearm with stop in soffit shoe
- Optional



1450-3049CNS
HCUSH Arm

- Non-handed
- Provides hold-open function with templated stop/hold-open points
- Handle controls hold-open function
- Optional



1450-3077SCNS
Spring CUSH Arm

- Non-handed
- For abusive applications features solid forged steel main arm and forearm with spring loaded stop in the soffit shoe
- Optional



1450-3049SCNS
Spring HCUSH Arm

- Non-handed
- For abusive applications features solid forged steel main arm and forearm with spring loaded stop in the soffit shoe
- Handle controls hold-open function
- Optional

How-to-order 1450 Series closers

Select finish

- Standard Powder Coat _____
Aluminum, Dark Bronze, Statuary,
Light Bronze, Black, Brass

Closer will be shipped with:

- Standard cylinder
- Standard cover
- Tri pack arm (Rw/PA)
- Universal screw pack
unless options listed below are selected.

Closer options

Cover

- Full Plastic (FC)
- Metal (specify right or left hand) (MC)
- Alternate Cover (ALT) (sold separately from product)

Finish

- Custom Powder Coat (RAL)
(Metal cover required)
- SRI primer

Arm

- Regular w/62PA (Rw/PA)
- Long (LONG)
- Regular w/62A (Rw/62A)
- Hold-Open w/62PA (Hw/PA)
- Long Hold-Open (HLONG)
- Extra Duty (EDA) (optional -62G)
- Hold-Open Extra Duty (HEDA) - specify handing
- Cush-N-Stop (CUSH)
- HCush (HCUSH)
- Spring Cush (SCUSH)
- Spring HCush (SHCUSH)

Optional screw packs

- TORX Machine Screw (TORX)
- TB* & TORX Machine Screw (TBTORX)
- * Specify door thickness if other than 1-3/4"

Installation accessories

- Plate, 1450-18
- Plate, 1450-18FC
- Plate, 1450-18PA
- Plate, 1450-18PAFC
- CUSH Shoe Support, 1450-30
- Blade Stop Spacer, 1450-61
- Auxiliary Shoe, 1450-62A
- PA Flush Panel Adapter, 1450-419

Special template

- ST- _____

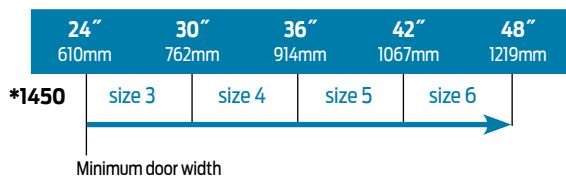
Meets Buy American Act

- BAA

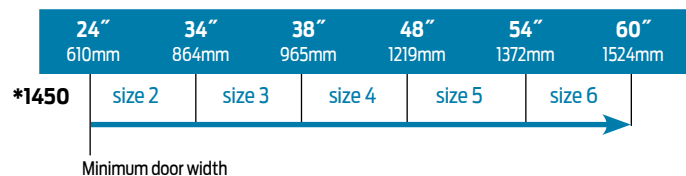
Table of sizes

- Select closer based on width of door.
- The spring power of a 1450 cylinder is field adjustable from size 1 through size 6 and is shipped adjusted to size 3.

Exterior (and Vestibule) door width



Interior door width




→ Indicates recommended range of door width for closer size.
* Adjustable Size 1 thru 6.

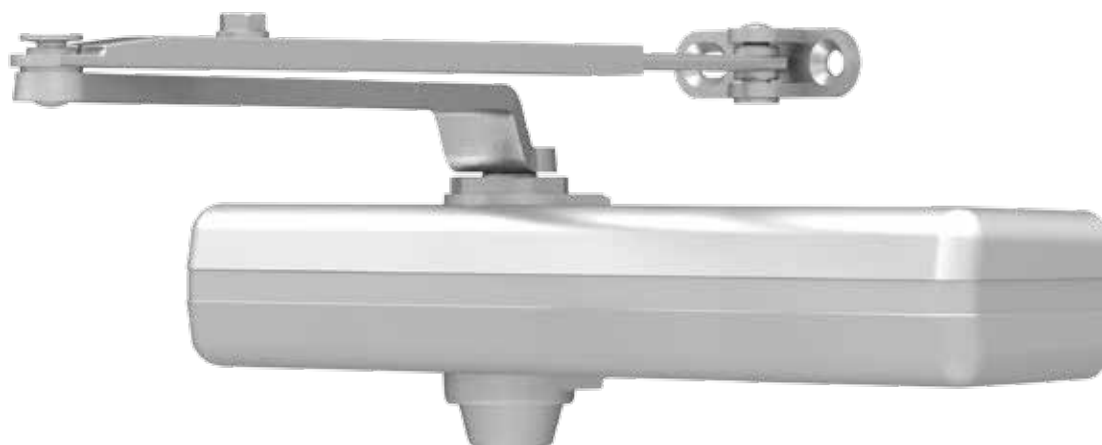
Reduced opening force 1450 Series closers

CAUTION! Any manual door closer, including those certified by BHMA to conform to ANSI Standard A156.4, that is selected, installed and adjusted based on ADA or other reduced opening force requirements may not provide sufficient power to reliably close and latch a door.

Refer to POWER OPERATORS section for information on systems that meet reduced opening force requirements without affecting closing power.

* Maximum opening force.

	DOOR WIDTH	36"	42"	48"
	8.5* lbs.	1450	1450	1450
	5.0* lbs.	1450	1450	1450

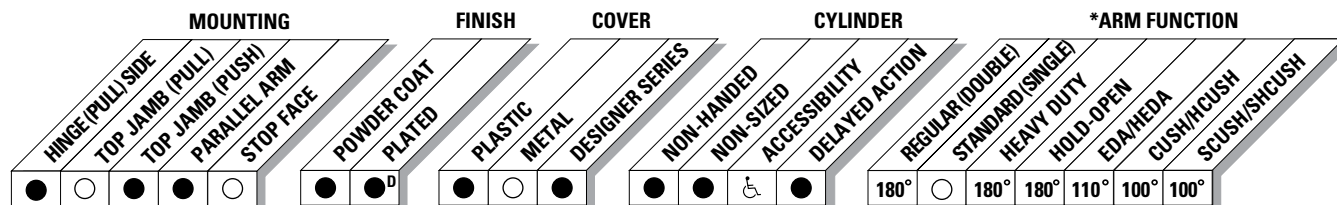


Designed for maximum versatility, the 1460, available with multiple cover options, can be used for both commercial and institutional applications. This fully universal closer offers a wide variety of options and fast and accurate installation.

Certifications	Grade 1 - ANSI A156.4, UL 10C, ADA, 100 Hour Salt Spray, Meets BAA - Buy American Act	Cover	<ul style="list-style-type: none"> ■ Slim Line Plastic, Standard ■ Full Plastic and Metal Designer Series, Optional
Body Construction	<ul style="list-style-type: none"> ■ Cast Iron Body ■ Full Complement Bearing ■ 1-1/4" Diameter Piston ■ 3/4" Diameter Single Heat Treated Pinion Journal 	Fasteners	Self Reaming and Tapping Screws (SRT)
Fluid	All Weather Fluid	Mounting	Hinge (Pull Side), Top Jamb (Push Side), Parallel Arm (Push Side)
Handing	Non-Handed	Arms	Standard regular pull side, and top jamb
Templating	Peel-n-Stick templates - 1" x 7-1/2" Mounting Hole Pattern	Finishes/Colors/Powder Coat	<ul style="list-style-type: none"> ■ Aluminum (689) ■ Statuary Bronze (690) ■ Light Bronze (691) ■ Black (693) ■ Dark Bronze (695) ■ Brass (696) ■ Custom colors optional
Size	Adjustable Spring Size 1-6. Includes Patented Green Dial		<ul style="list-style-type: none"> ■ Optional SRI primer - powder coat only ■ Optional plated finishes
Warranty	30 years		

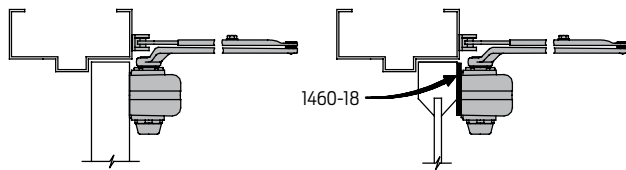
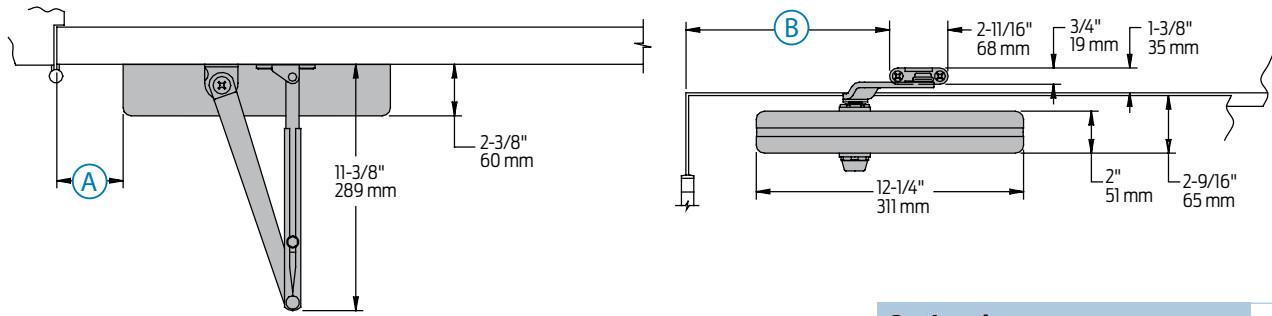
Special Templates

Customized installation templates or products may be available to solve unusual applications. Contact LCN Product Support for assistance.



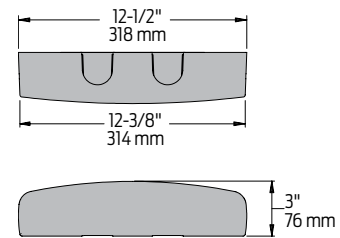
● AVAILABLE
○ NOT AVAILABLE

♿ Closer available with less than 5.0 lbs. opening force on 36" door.
* Maximum opening/hold-open point with standard template.
D = For designer series only.

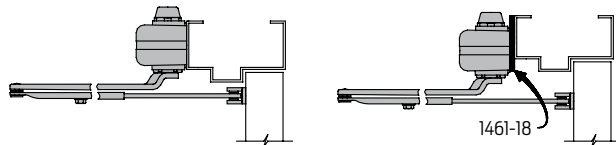
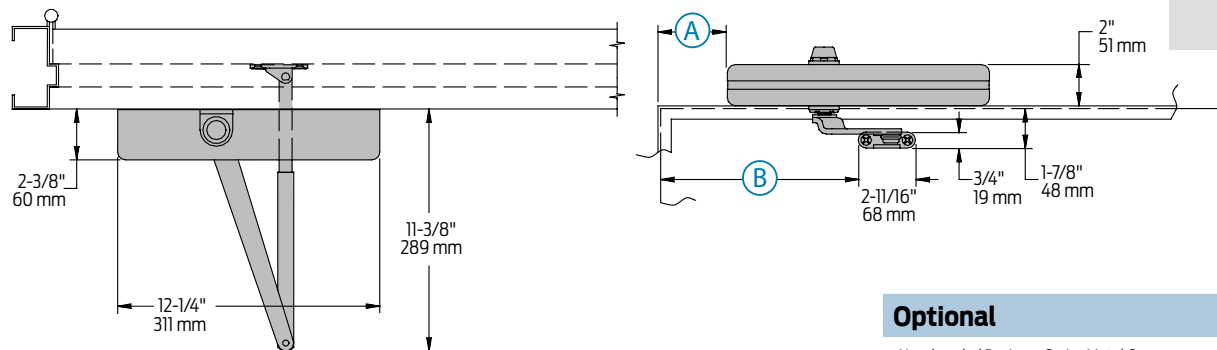


Optional

Non-handed Designer Series Metal Cover

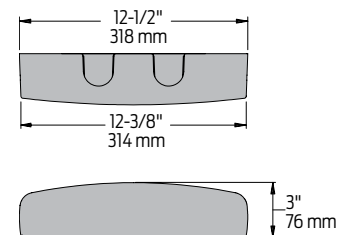


Butt Hinges	Should not exceed 5" (127 mm) in width
Auxiliary Stop	Recommended at hold-open point or where a door cannot swing 180°
Reveal	Should not exceed 3/4" (19 mm) for regular arm or 1/2" (13 mm) for hold-open arm
Top Rail	<ul style="list-style-type: none"> Less than 2-1/2" (64 mm) requires PLATE, 1460-18 With Full cover, use PLATE, 1460-18FC. Plate requires 1-1/2" (38 mm) minimum With Designer Series metal cover, use PLATE, 1460-18DSI
Clearance	2-3/8" (60 mm) behind door required for installation
Delayed Action	<ul style="list-style-type: none"> Add suffix "DEL" to selected cylinder (eg. 1461 DEL) Delays closing from: <ul style="list-style-type: none"> 110° to 65° (using 110° template) 160° to 75° (using 180° template) Delay time adjustable up to approximately 1 minute
Maximum opening	110°: A = 5-7/8" (149 mm) B = 10-7/8" (276 mm) or *180° A = 2-7/8" (73 mm) B = 7-7/8" (200 mm) Hold-open points up to maximum opening with hold-open arm *Frame and trim permitting.

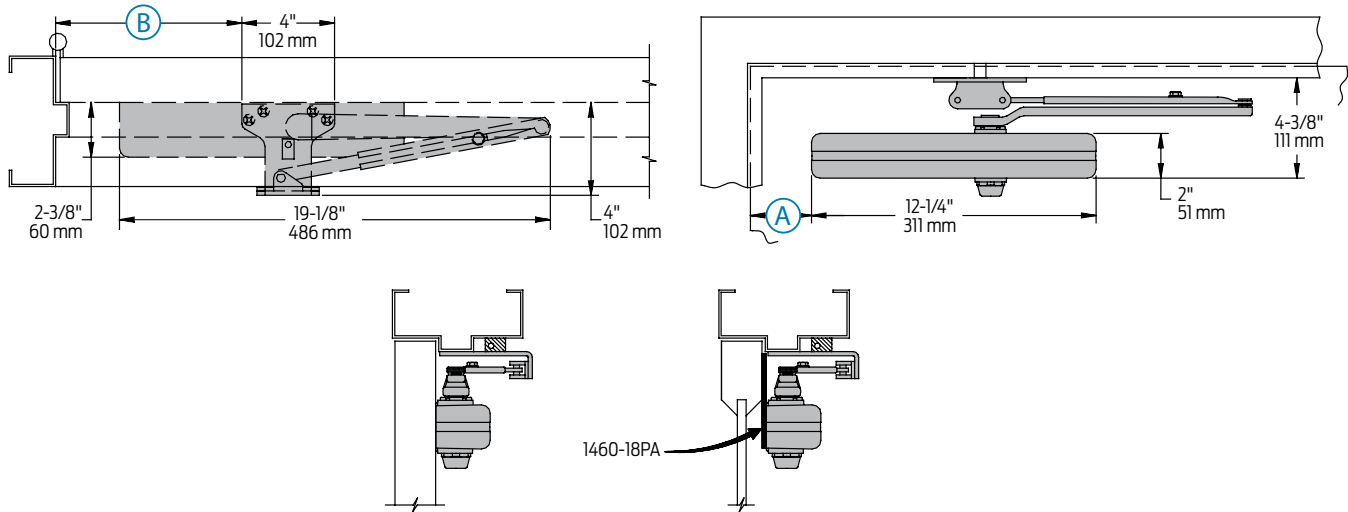


Optional

Non-handed Designer Series Metal Cover



Butt Hinges	Should not exceed 5" (127 mm) in width		
Auxiliary Stop	Recommended at hold-open point or where a door cannot swing 180°		
Reveal	Arm Type	Reveal	Max Opening
	Regular Arm	4-7/8"	Up to 140°
	Regular Arm	3-1/2"	Up to 180°
	Long Arm	7"	Up to 140°
	Hold-Open Arm	2-1/2"	Up to 180°
	Long Hold-Open Arm	4-7/8"	Up to 140°
Top Rail	Requires 1-7/8" (48 mm) minimum. 2-3/4" (70 mm) minimum with closer on PLATE, 1460-18		
Head Frame	Less than 1-3/4" (44 mm) requires PLATE, 1460-18. For flush ceiling condition with 2" (51 mm) head frame, use PLATE, 1460-18		
Delayed Action	<ul style="list-style-type: none"> ■ Add suffix "DEL" to selected cylinder (eg. 1460 DEL). ■ Delays closing: <ul style="list-style-type: none"> 110° to 75° (using 110° template) 180° to 95° (using 180° template) ■ Delay time adjustable up to approximately 1 minute. 		
Maximum opening	110°:	A = 6-3/4" (169 mm) B = 11-1/4" (286 mm)	
	101° to 120°:	A = 3" (76 mm) B = 7-1/2" (191 mm)	
	Hold-open points up to maximum opening with hold-open arm. *Frame and trim permitting.		

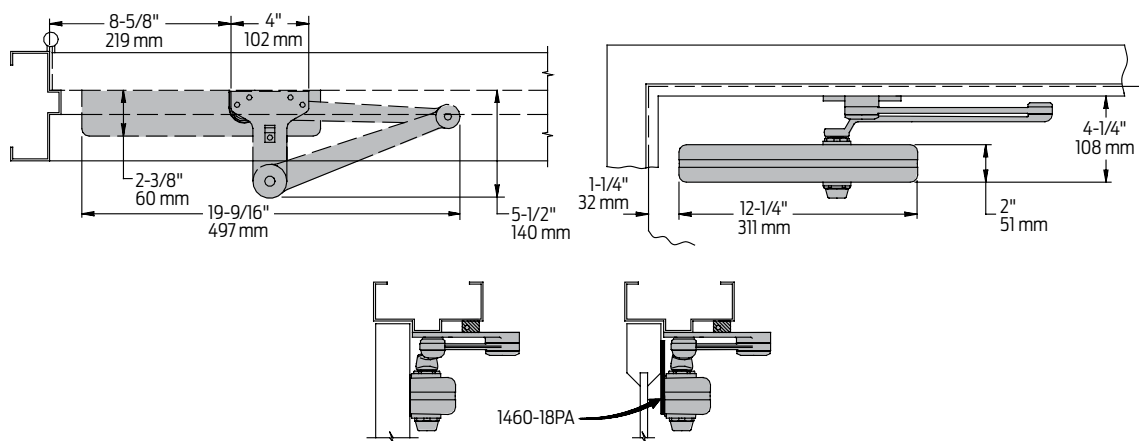


Butt Hinges	Should not exceed 5" (127 mm) in width
Auxiliary Stop	Recommended at hold-open point, where a door cannot swing 180°, or where CUSH-N-STOP arm is not used
Top Rail	<ul style="list-style-type: none"> Less than 4-3/8" (111 mm) measured from the stop requires PLATE, 1460-18PAFC Plate requires 1-3/4" (44 mm) minimum. Plate requires 1-1/4" (32 mm) minimum With Designer Series metal cover, use PLATE, 1460-18PADSI
Clearance	1460-62PA shoe projects 4" (102 mm) from door face
Head Frame	Flush or single rabbeted requires PA SHOE ADAPTER, 1460-419
Stop Width	Minimum 1" (25 mm)
Blade Stop	Clearance, requires 1/2" (13 mm) BLADE STOP SPACER, 1460-61
Auxiliary Shoe	<ul style="list-style-type: none"> 1460-62A allows installation of regular arm with overhead holder/stop Special templating required
Delayed Action	<ul style="list-style-type: none"> Add suffix "DEL" to selected cylinder (eg. P1460 DEL) Delays closing from maximum opening to approximately 75° Delay time adjustable up to approximately 1 minute
Maximum opening	Regular or hold-open arm can be templated to 100°: A = 4-1/4" (108 mm) B = 9-1/4" (235 mm) or 180°: A = 1-3/4" (44 mm) B = 6-3/4" (171 mm) Hold-open points up to maximum opening with hold-open arm.

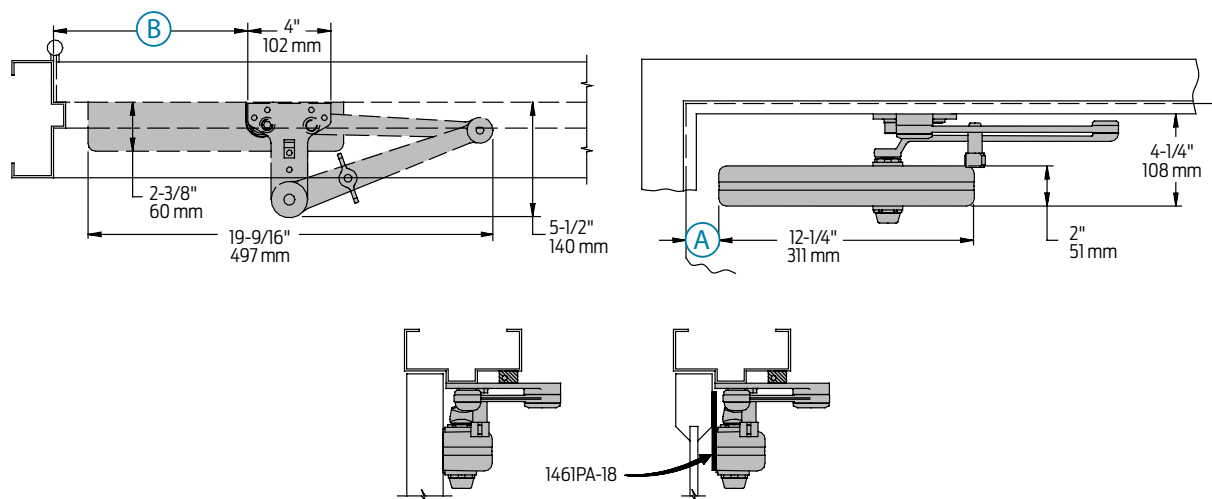
Notes:

- Optional mounting requires PA SHOE, 1460-62PA for REGULAR or HOLD-OPEN arms. Add prefix "P" to closer description (e.g. P1460)
- P1460 closer includes 1460-201 FIFTH HOLE SPACER to support PA SHOE.

EDA mount



CUSH mount



Spring CUSH	Hold open points are approximately 5° less than dead stop point	
Clearance	1460-62EDA or CUSH shoe projects 5-1/2" (140 mm) from door face	
Head Frame	Flush or rabbeted requires PA FLUSH PANEL ADAPTER, 1460-419	
EDA or CUSH ARM	Requires SHOE SUPPORT, 1460-30 for fifth screw anchorage where reveal is less than 3-1/16" (78 mm)	
Maximum opening	EDA template allows 110° Hold-open point up to maximum opening	CUSH arms can be templated for maximum opening/hold-open point at
		85°: A = 2-3/8" (60 mm) B = 9-9/16" (243 mm)
		90°: A = 1-5/8" (41 mm) B = 9-1/16" (230 mm)
		100°: A = 5/8" (16 mm) B = 8-1/16" (205 mm)

Note:

• 1460 closers ordered with EDA, CUSH or SPRING CUSH arms include 1460-201 FIFTH HOLE SPACER to support the shoe

Cylinders



1461-3071
Cast Iron Cylinder Assembly

- Non-handed
- Standard

Covers



1460-72
Slim Line Plastic Cover

- Non-handed
- Standard



1460-72FC
Full Cover

- Non-handed
- Plastic cover
- Optional



1460-72DS
Designer Series Metal Cover

- Non-handed
- Provides complete enclosure with a stylish look
- Required for plating and custom powder coat option
- Optional

Installation Accessories



1460-18
Plate



1460-18DS1
Plate



1460-18FC
Plate

The following details pertain to the above plates:

- Required for hinge side mount where top rail is less than 2-1/2" (64 mm)
- Required for top jamb mounting where head frame is less than 1-3/4" (44 mm) or flush ceiling condition exists
- Requires minimum 1-1/2" (38 mm) minimum top rail or 1-1/4" (32 mm) head frame
- With full cover, use PLATE, 1460-18FC
- With Designer Series metal cover, use PLATE, 1460-18DS1

Note: 18FC and 18DS will not work in top jamb application.



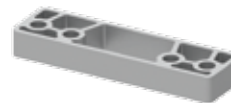
1460-30
Cush Shoe Support

- Provide anchorage for fifth screw used with CUSH arm where reveal is less than 3-1/16" (78 mm)



1460-30A
Mounting Bracket

- Bracket to be used when installing cylinder body
- Included with cylinder when ordered



1460-61
Blade Stop Spacer

- Lowers parallel arm shoe to clear 1/2" (13 mm) blade stop



1460-62A
Auxiliary Shoe

- Requires a top rail of 7" (178 mm)
- Optional shoe replaces -62PA for parallel arm mounting of regular arm with overhead holder/stop



1460-18PA
Plate



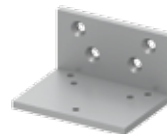
1460-18PADS1
Plate



1460-18PAFC
Plate

The following details pertain to the above plates:

- Required for parallel arm mounting where top rail is less than 4-3/8" (111 mm), measured from the stop
- Requires 1-3/4" (44 mm) minimum top rail
- With full cover, use PLATE, 1460-18PAFC
- With Designer Series metal cover, use PLATE, 1460-18PADS1



1460-419
PA Flush Panel Adapter

- Provides horizontal mounting surface for PA, EDA, or CUSH shoe on single rabbeted or flush frame



1460-62PA
PA Shoe

- Required for parallel arm mounting

Arms



1460-3077
Regular Arm

- Non-handed
- Mounts hinge side or top jamb
- P1460 closer includes PA SHOE, 1460-62PA required for parallel arm mounting



1460-3077L
Long Arm

- Non-handed
- Includes LONG ROD AND SHOE, 1460-79LR for top jamb mount with deep reveals
- Optional



1460-3077HD
Heavy Duty Regular Arm

- Non-handed
- Mounts hinge side, top jamb or parallel arm
- Optional



1460-3077HDL
Heavy Duty Long Arm

- Non-handed
- Includes long rod and shoe, 1460-79LR for top jamb mounts with deep reveals
- Optional



1460-3049
Hold-Open Arm

- Non-handed
- Mounts hinge side, top jamb or parallel arm (62PA required)
- Hold-open adjustable at shoe
- Optional



1460-3049L
Long Hold-Open Arm

- Non-handed
- Includes LONG HEAD AND TUBE, 1460-3048L for top jamb mount with deep reveals
- Optional



1460-3077EDA
Extra Duty Arm

- Non-handed
- Features solid forged steel main and forearm for potentially abusive installations
- Optional 1460-3077EDA/62G for blade stop clearance



1460-3077EDA/62G
Extra Duty Arm w/ 62G

- Non-handed
- Features solid forged steel main and forearm for potentially abusive installations



1460-3049EDA
Hold-Open Extra Duty Arm

- Handed arm
- Provides hold-open function adjustable at shoe
- Optional



1460-3077CNS
Cush-N-Stop[®] Arm

- Non-handed
- Features solid forged steel main arm and forearm with stop in soffit shoe
- Optional



1460-3049CNS
HCUSH Arm

- Non-handed
- Provides hold-open function with templated stop/hold-open points
- Handle controls hold-open function
- Optional



1460-3077SCNS
Spring CUSH Arm

- Non-handed
- For abusive applications features solid forged steel main arm and forearm with spring loaded stop in the soffit shoe
- Optional



1460-3049SHCNS
Spring HCUSH Arm

- Non-handed
- For abusive applications features solid forged steel main arm and forearm with spring loaded stop in the soffit shoe. Handle controls hold-open function
- Optional

How-to-order 1460 Series closers

Select finish

- Standard Powder Coat _____
Aluminum, Dark Bronze, Statuary,
Light Bronze, Black, Brass

Closer will be shipped with:

- Standard cylinder
- Standard cover
- Regular arm
- Self-reaming and tapping screws
unless options listed below are selected.

Closer options

Cylinder

- Delayed Action (DEL)

Cover

- Full cover (FC)
- Designer series cover (DS)

Finish

- Custom Powder Coat (RAL) _____
(DS cover required)
- Plated Finish, US _____
(DS cover required)
- SRI primer (for use with powder coat finishes only)

Arm

- Regular w/62PA (Rw/PA)
- Long (LONG)
- Regular w/62A (Rw/62A)
- Hold-Open (H)
- Hold-Open w/62PA (Hw/PA)
- Long Hold-Open (HLONG)
- Heavy Duty (HD)
- Heavy Duty w/62A (HD/62A)
- Heavy Duty w/62PA (HD/PA)
- Heavy Duty Long (HDL)
- Extra Duty Arm (EDA) (optional -62G)
- Hold-Open Extra Duty (HEDA)
(specify handing), (optional -62G)
- Cush-N-Stop (CUSH)
- HCush (HCUSH)
- Spring Cush (SCUSH)
- Spring HCush (SHCUSH)

Optional screw packs

- TB* w/Self-Reaming and Tapping Screws (TBSRT)
- Wood & Machine Screw (WMS)
- TB*, Wood & Machine Screw (TBWMS)
- TORX Machine Screw (TORX)
- TB* & TORX Machine Screw (TBTORX)
- * Specify door thickness if other than 1-3/4"

Installation accessories

- Plate, 1460-18
- Plate, 1460-18DS
- Plate, 1460-18FC
- Plate, 1460-18PA
- Plate, 1460-18PADS
- Plate, 1460-18PAFC
- CUSH Shoe Support, 1460-30
- Blade Stop Spacer, 1460-61
- Auxiliary Shoe, 1460-62A
- PA Flush Panel Adapter, 1460-419

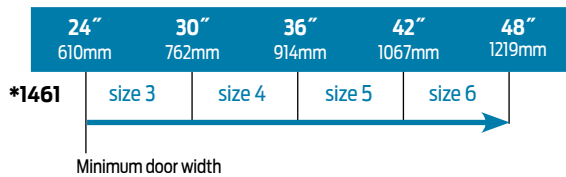
Special template

- ST- _____

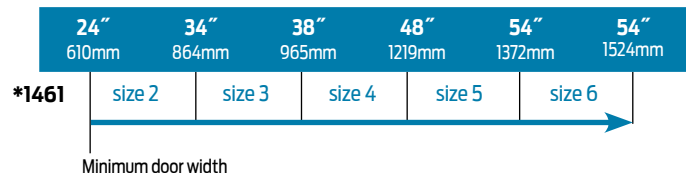
Table of sizes

- Select closer based on width of door
- The spring power of a 1461 cylinder is field adjustable from size 1 through size 6 and is shipped adjusted to size 3

Exterior (and Vestibule) door width



Interior door width




→ Indicates recommended range of door width for closer size.
* Adjustable Size 1 thru 5.

Reduced opening force 1460 Series closers

CAUTION! Any manual door closer, including those certified by BHMA to conform to ANSI Standard A156.4, that is selected, installed and adjusted based on ADA or other reduced opening force requirements may not provide sufficient power to reliably close and latch a door.

Refer to POWER OPERATORS section for information on systems that meet reduced opening force requirements without affecting closing power.

* Maximum opening force.

	DOOR WIDTH	36"	42"	48"
	8.5* lbs.	1461	1461	1461
	5.0* lbs.	1461	1461	1461

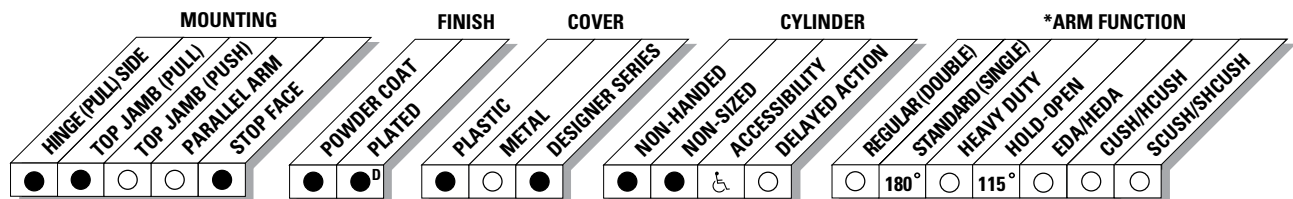


The 1460T is a fully universal slim line, single lever (track) arm closer designed for interior use on narrow head frames and top rails. The modern styling and small projection make it an excellent choice for interior doors.

Certifications	Grade 1 - ANSI A156.4, UL 10C, ADA, 100 Hour Salt Spray, Meets BAA - Buy American Act	Cover	<ul style="list-style-type: none"> ■ Slim Line, Standard ■ Full Plastic or Full Metal Designers Series, Optional
Body Construction	<ul style="list-style-type: none"> ■ Cast Iron Body ■ Full Complement Bearing ■ 1-1/4" Diameter Piston ■ 5/8" Diameter Single Heat Treated Pinion Journal 	Fasteners	Self Reaming and Tapping Screws (SRT)
Fluid	All Weather Fluid	Mounting	Hinge pull side, top jamb, pull stop face
Handing	Non-Handed	Arms	Single level with track roller
Templating	Peel-n-Stick templates - 1" x 7-1/2" Mounting Hole Pattern	Finishes/Colors/ Powder Coat	<ul style="list-style-type: none"> ■ Aluminum (689) ■ Statuary Bronze (690) ■ Light Bronze (691) ■ Black (693) ■ Dark Bronze (695) ■ Brass (696) ■ Custom colors optional
Size	<ul style="list-style-type: none"> ■ 1460T adjustable size 2-4 ■ 1461T adjustable size 1-2 		<ul style="list-style-type: none"> ■ Optional SRI primer - powder coat only ■ Optional plated finishes
Warranty	30 years		

Special Templates

Customized installation templates or products may be available to solve unusual applications. Contact LCN Product Support for assistance.



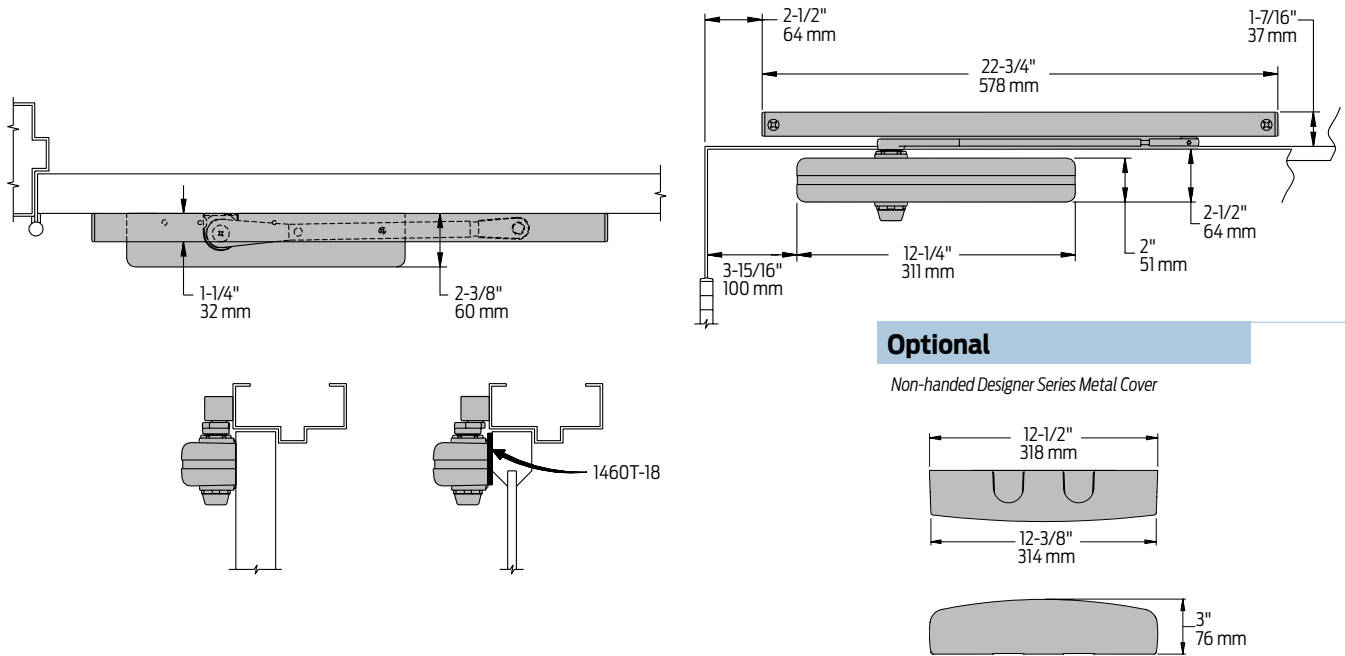
● AVAILABLE
○ NOT AVAILABLE

♿ Closer available with less than 5.0 lbs. opening force on 36" door.
* Maximum opening/hold-open point with standard template.
D = For designer series only.

1460T Series

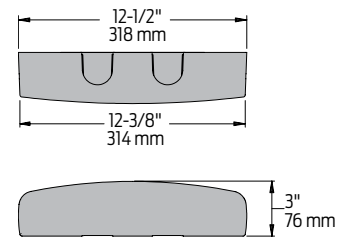
Mounting details

Hinge (Pull) Side Mounting

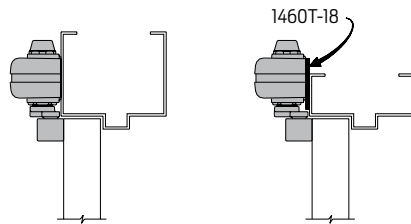
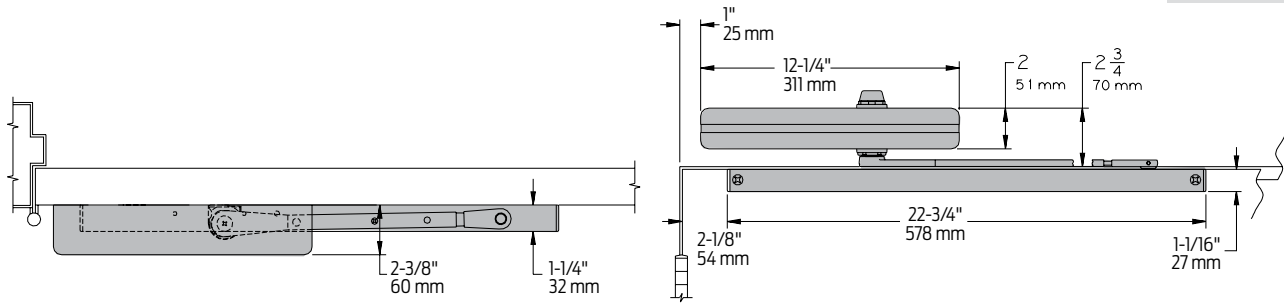


Optional

Non-handed Designer Series Metal Cover

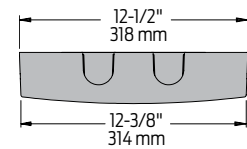


Butt Hinges	Should not exceed 5" (127 mm) in width
Auxiliary Stop	<ul style="list-style-type: none"> Recommended where a door cannot swing 180° Optional track bumper assembly assists backcheck in cushioning the opening swing of the door. It is not intended to replace an auxiliary stop
Reveal	Should not exceed 1/8" (3 mm)
Top Rail	<ul style="list-style-type: none"> Less than 2-1/2" (64 mm) requires PLATE, 1460T-18 Plate requires 1-1/2" (38 mm) minimum With Full cover, use PLATE, 1460T-18FC With Designer Series metal cover, use PLATE, 1460T-18DS
Clearance	2-3/8" (60 mm) behind door required for installation
Maximum opening	<ul style="list-style-type: none"> Templating allows up to 180°, trim and frame permitting, limited to 115° when optional bumper is installed Consult factory if door will be held open at 180° Hold-open points at 85°, 90°, 95°, 100°, 110° or 115° with hold-open tracks Please note that many track style door closers are capable of allowing 180° of door swing Be aware that the majority of track style closers are at their weakest closing force in the 180°-130° range Consult factory for applications where an exterior or large/heavy door must swing 180°



Optional

Non-handed Designer Series Metal Cover

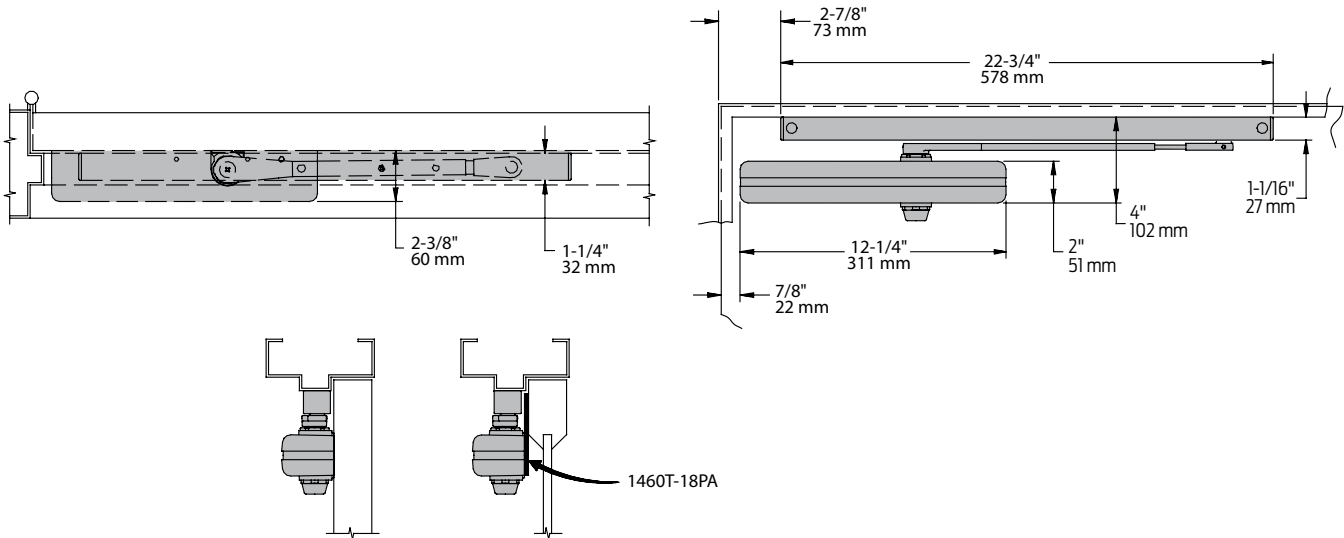


Butt Hinges	Should not exceed 5" (127 mm) in width
Auxiliary Stop	<ul style="list-style-type: none"> Recommended where a door cannot swing 180° Track bumper assembly assists backcheck in cushioning the opening swing of the door. It is not intended to replace an auxiliary stop
Reveal	Should not exceed 1/8" (3 mm)
Top Rail	Minimum 1-1/4" (32 mm)
Head Frame	<ul style="list-style-type: none"> Less than 2-3/4" (70 mm) requires PLATE, 1460T-18 Plate requires 1-3/4" (44 mm) minimum With full cover, use PLATE, 1460T-18FC With Designer Series metal cover, use PLATE, 1460T-18DS
Clearance	1-1/4" (32 mm) behind door for installations
Maximum opening	<ul style="list-style-type: none"> Templating allows up to 180°, limited to 115° when optional bumper is installed Consult factory if door will be held open at 180° Hold-open points at 85°, 90°, 95°, 100°, 110° or 115° with hold-open tracks Please note that many track style door closers are capable of allowing 180° of door swing Be aware that the majority of track style closers are at their weakest closing force in the 180° – 130° range Consult factory for applications where an exterior or large

1460T Series

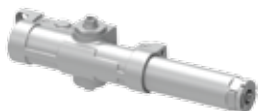
Mounting details

Stop Face (Push Side) Mounting



Butt Hinges	Should not exceed 5" (127 mm) in width
Auxiliary Stop	<ul style="list-style-type: none"> Recommended where a door cannot swing 110° Track bumper assembly assists backcheck in cushioning the opening swing of the door. It is not intended to replace an auxiliary stop
Top Rail	<ul style="list-style-type: none"> Less than 4" (102 mm) measured from the stop face requires PLATE, 1460T-18PA. Plate requires 1-1/2" (38 mm) minimum With Full cover, use PLATE, 1460T-18PAFC With Designer Series metal cover, use PLATE, 1460T-18PADS
Clearance	1460T projects 2-3/8" (60 mm) from door face
Stop Width	Minimum 1-1/4" (32 mm)
Maximum opening	<ul style="list-style-type: none"> Templating allows 110°, limited to 100° when optional bumper is installed Variable hold-open angles with infinite options

Cylinders



1460(1)T-3071
Cast Iron Cylinder Assembly

- Non-handed
- 1461T adjustable 1-2
- 1460T adjustable 2-4
- Standard

Arm



1460T-3077T
Single Lever Standard Arm

- Non-handed
- Mounts hinge side, top jamb, or stop face
- Track roller not included with arm

Covers



1460T-72
Slim Line Plastic Cover

- Non-handed
- Standard



1460T-72FC
Full Plastic Cover

- Non-handed
- Optional



1460T-72DS
Designer Series Metal Cover

- Non-handed
- Required for plating option and custom powder coat finishes
- Optional

Tracks



1460T-3038
Track

- Non-handed
- Non hold-open
- Mounts on either side of the door
- Will accept hold-open clip and/or bumper assembly
- Standard



1460T-3038B
Track with Bumper

- Non-handed
- Non hold-open
- Mounts on either side of the door
- Will accept hold-open clip
- Optional



1460T-3038H
Track with Hold-Open

- Non-handed
- Hold-open
- Mounts on either side of the door
- Will accept bumper assembly
- Optional



1460T-3038HB
Hold-Open Track with Bumper

- Non-handed
- Hold-open
- Mounts on either side of the door
- Optional

Installation Accessories



1460T-18
Plate



1460T-18DS
Plate



1460T-18FC
Plate

The following details pertain to the above plates:

- Required for hinge side mount where top rail is less than 2-1/2" (64 mm)
- Required for top jamb mount when head frame is less than 2-3/4" (70 mm)
- Requires minimum 1-1/2" (38 mm) top rail or 1-3/4" (44 mm) head frame minimum
- With Full cover, use PLATE, 1460T-18FC
- With Designer Series metal cover, use PLATE, 1460T-18DSI



1460T-18PA
Plate



1460T-18PADS
Plate



1460T-18PAFC
Plate

The following details pertain to the above plates:

- Required for stop face mounting where top rail is less than 4" (102 mm), measured from the stop
- Requires 1-1/2" (38 mm) minimum top rail
- With Full cover, use PLATE, 1460T-18PAFC
- With Designer Series metal cover, use PLATE, 1460T-18PADSI



1460T-30A
Mounting Bracket

- Used when installing cylinder body
- Included with cylinder when ordered



1460T-169
Track Bumper

- Mounts in track to assist backcheck, does not replace auxiliary stop
- Limits maximum opening
- Consists of bumper, bumper post, and mounting screw



1460T-3054
Hold-Open Clip

- Mounts in track to provide hold-open function
- Hold-open point controlled by clip location



1460T-3034
Track Roller

- Quiet, low friction roller assembly
- Shoulder dimension "X" = 1/8" (3 mm)



1460T-3034H
Hold-Open Track Roller

- Hold-open roller
- Quiet, low friction roller assembly
- Shoulder dimension "X" = 1/8" (3 mm)
- Spring-loaded hold-open mechanism

How-to-order 1460T Series closers

1. Select cylinder size

- 1461T (adjustable from size 1 to 2)
- 1460T (adjustable from size 2 to 4)

2. Select finish

- Standard Powder Coat _____
Aluminum, Dark Bronze, Statuary,
Light Bronze, Black, Brass

Closer will be shipped with:

- Standard cover
- Standard arm
- Standard track
- Track roller
- Self-reaming and tapping screws unless options listed below are selected.

Closer options

Cover

- Full cover (FC)
- Designer Series metal cover (DS)

Finish

- Custom Powder Coat (RAL) _____
(DS cover required)
- Plated Finish, US _____
(DS cover required)
- SRI primer (for use with powder coat finishes only)

Track

- Standard with Bumper (BUMPER)
- Hold-Open (H)
- Hold-Open with Bumper (HBUMPER)

Optional screw packs

- TB* w/Self-Reaming and Tapping Screws (TBSRT)
- Wood & Machine Screw (WMS)
- TB*, Wood & Machine Screw (TBWMS)
- TORX Machine Screw (TORX)
- TB* & TORX Machine Screw (TBTRX)
- * Specify door thickness if other than 1-3/4"

Installation accessories

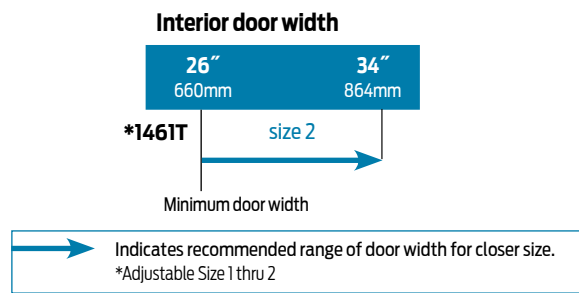
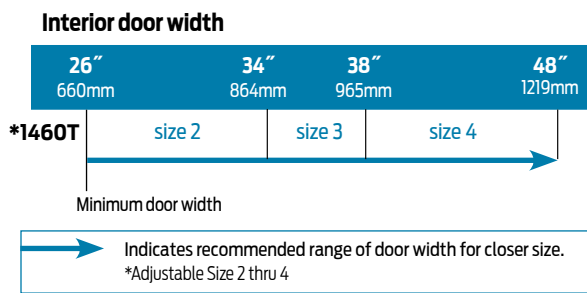
- Plate, 1460T-18
- Plate, 1460T-18DS1
- Plate, 1460T-18FC
- Plate, 1460T-18PA
- Plate, 1460T-18PADS1
- Plate, 1460T-18PAFC

Special template

- ST- _____

Table of sizes

- Select closer based on width of door. The spring power of a 1460T cylinder is adjustable from size 2 to size 4 and is shipped adjusted to size 3
- The closing power of 1460T series cylinders may be increased 50%
- The spring power of a 1461T cylinder is adjustable from size 1 to size 2 and is shipped adjusted to size 1



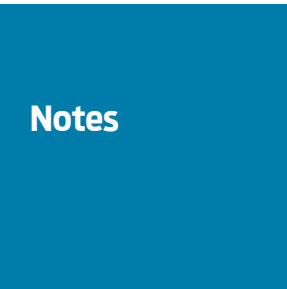
Reduced opening force 1460T Series closers

CAUTION! Any manual door closer, including those certified by BHMA to conform to ANSI Standard A156.4, that is selected, installed and adjusted based on ADA or other reduced opening force requirements may not provide sufficient power to reliably close and latch a door.

Refer to POWER OPERATORS section for information on systems that meet reduced opening force requirements without affecting closing power.

* Maximum opening force.

	DOOR WIDTH	36"	42"	48"
	8.5* lbs.	N/A	N/A	N/A
	5.0* lbs.	1461T	1461T	1461T



Notes

Lined area for notes with horizontal lines.