



71930

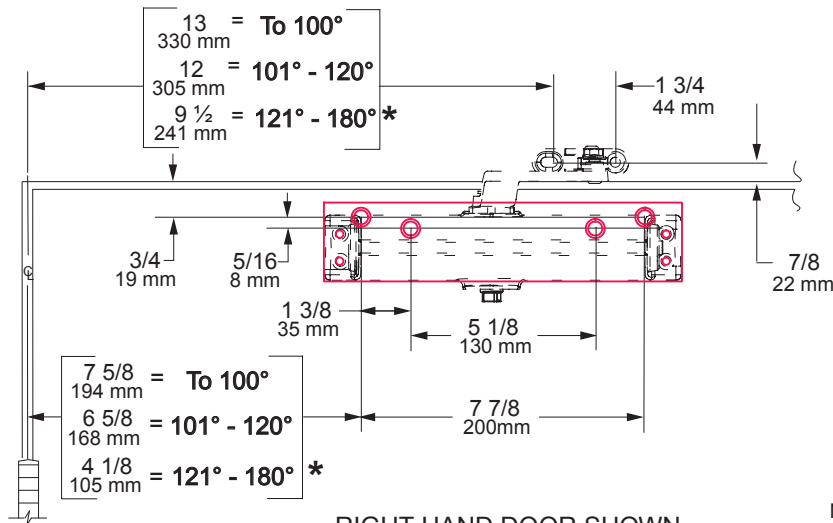
# 1250 Series



Installation Instructions

## 1250 PULL SIDE (DOOR MOUNT) DROP PLATES

**PULL SIDE ARM MOUNTED ON:  
1250-18 DROP PLATE**

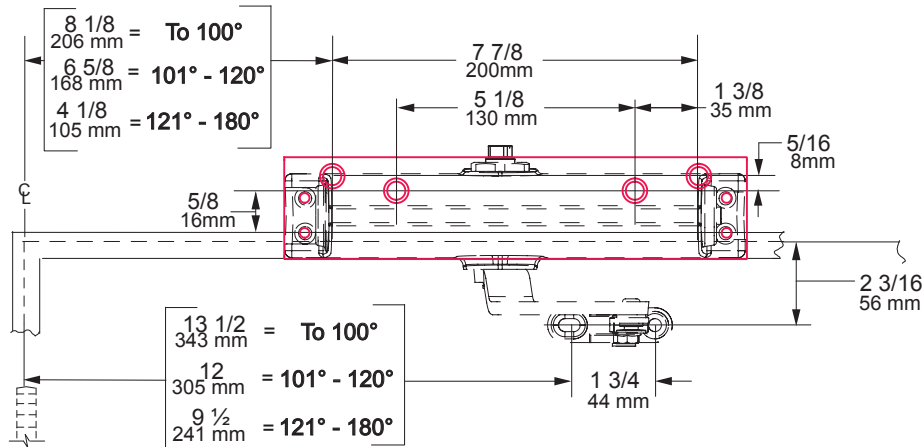


RIGHT HAND DOOR SHOWN  
LEFT HAND DOOR OPPOSITE

NOTES -  
1. MINIMUM TOP RAIL HEIGHT IS 1 1/2".  
\* 2. TRIM PERMITTING.

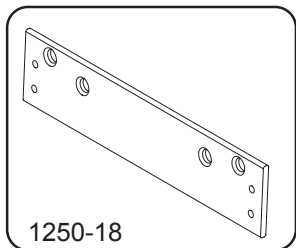
## 1250 PUSH SIDE (TOP JAMB) DROP PLATES

**PUSH SIDE ARM MOUNTED ON:  
1250-18 DROP PLATE**



LEFT HAND DOOR SHOWN  
RIGHT HAND DOOR OPPOSITE

NOTES -  
1. MINIMUM FACE FRAME IS 1 3/8".

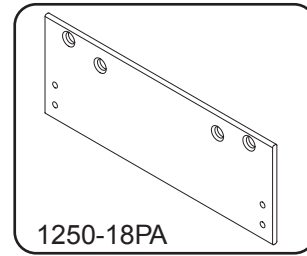
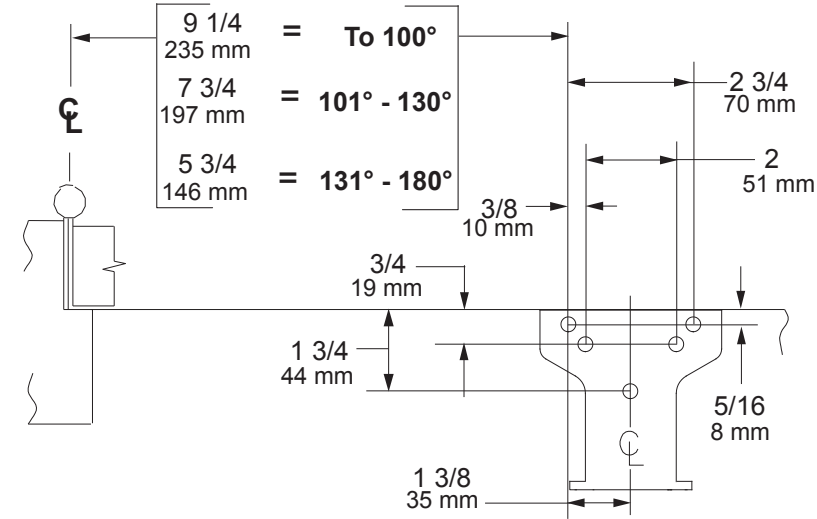


1250-18

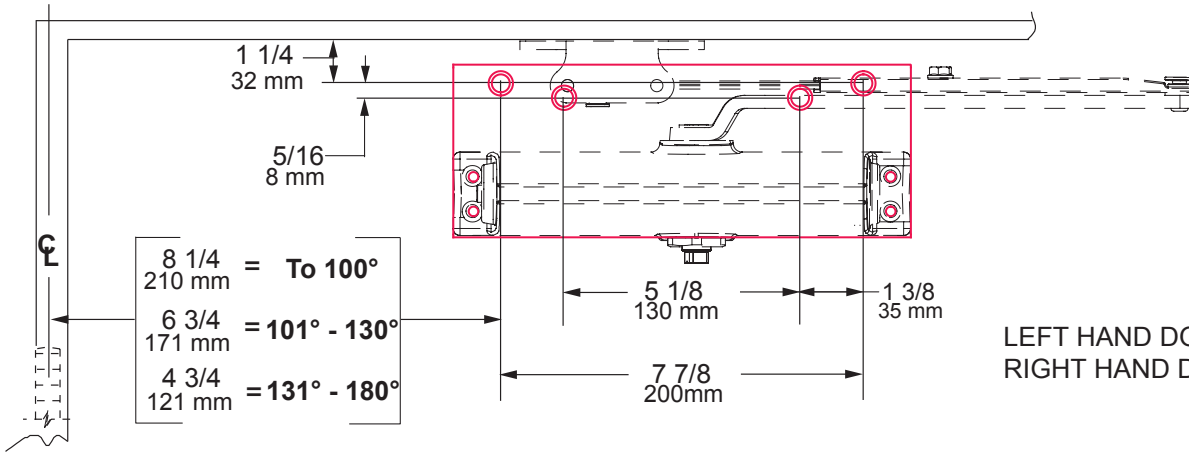
### GENERAL NOTES:

1. ON TOP JAMB & HINGE FACE MOUNTS. LOCATE CLOSER & SHOE FROM CENTERLINE OF PIVOT OR SWING CLEAR HINGE PIN WHEN USED.
2. ON TOP JAMB MOUNTING WHEN OVERHEAD STOP IS USED, SHOE MUST BE LOWERED TO CLEAR HOLDER.
3. FOR 180° OPENING, MAX BUTT SIZE IS 5" X 5"
4. REINFORCING PER ANSI/SDI-100 RECOMMENDED FOR HOLLOW METAL DOORS AND FRAMES.

**1250 PUSH SIDE (DOOR MOUNT) DROP PLATES    PUSH SIDE PARALLEL ARM MOUNTED ON:  
1250-18PA DROP PLATE**



NOTES -  
1. MINIMUM TOP RAIL 2 1/2".



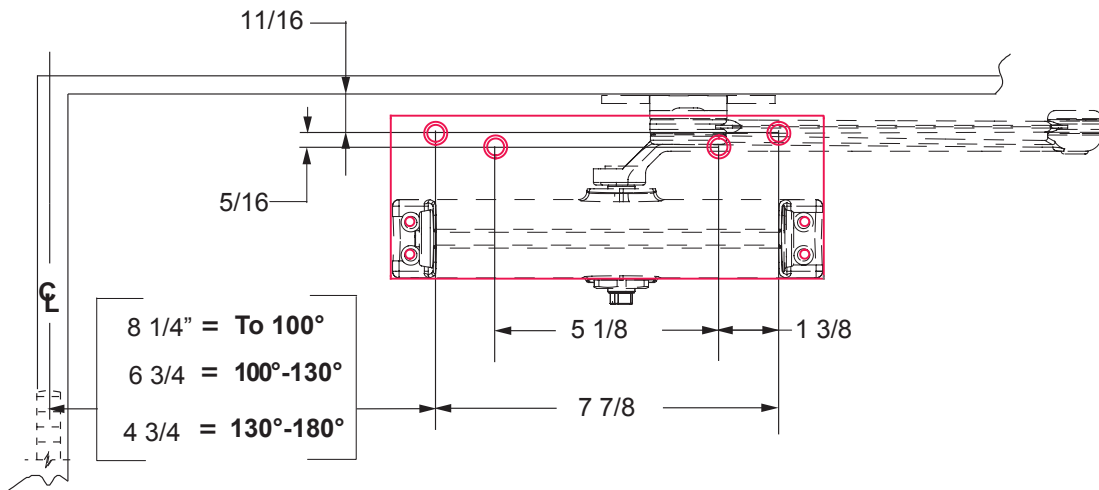
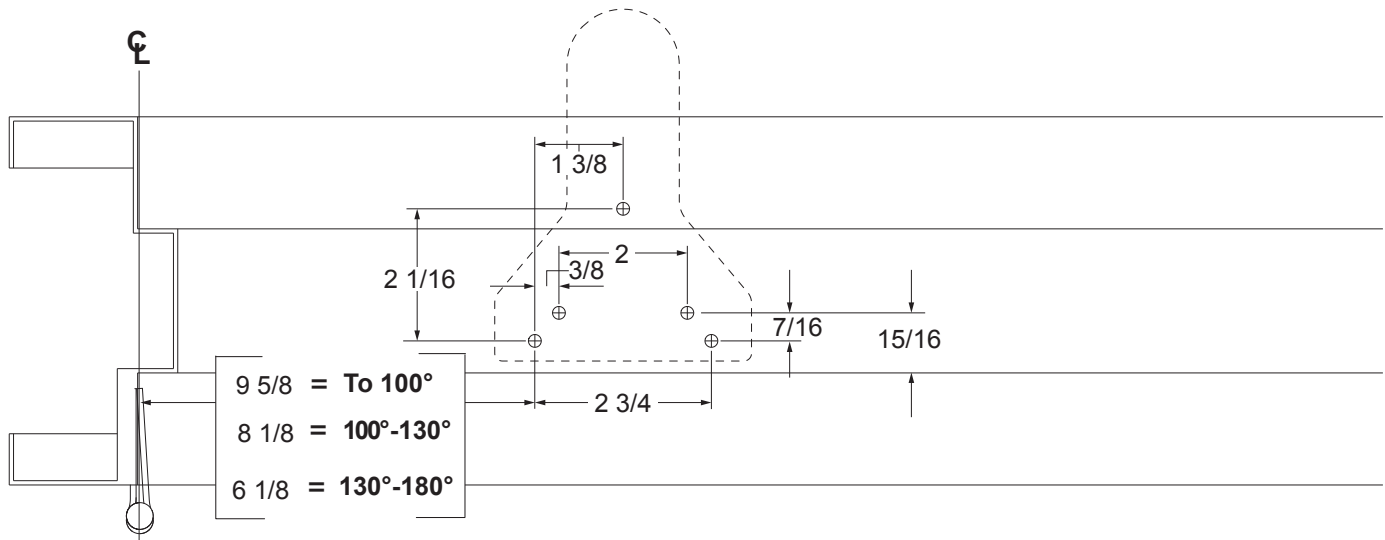
LEFT HAND DOOR SHOWN  
RIGHT HAND DOOR OPPOSITE

**GENERAL NOTES:**

1. Locate closer & shoe from centerline of pivot or swing clear hinge pin when used.
2. For 180° opening on hinge face mounts, max butt size is 5" x 5".
3. Reinforcing per ANSI/SDI-100 recommended for hollow metal doors and frames.

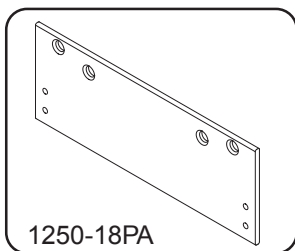
**1250 EDA  
DROP PLATES**

**PUSH SIDE, PARALLEL ARM MOUNTED ON:  
1250-18PA DROP PLATE**



LEFT HAND DOOR SHOWN  
RIGHT HAND DOOR OPPOSITE

NOTES -  
1. MINIMUM TOP RAIL  $2 \frac{1}{2}$ ".

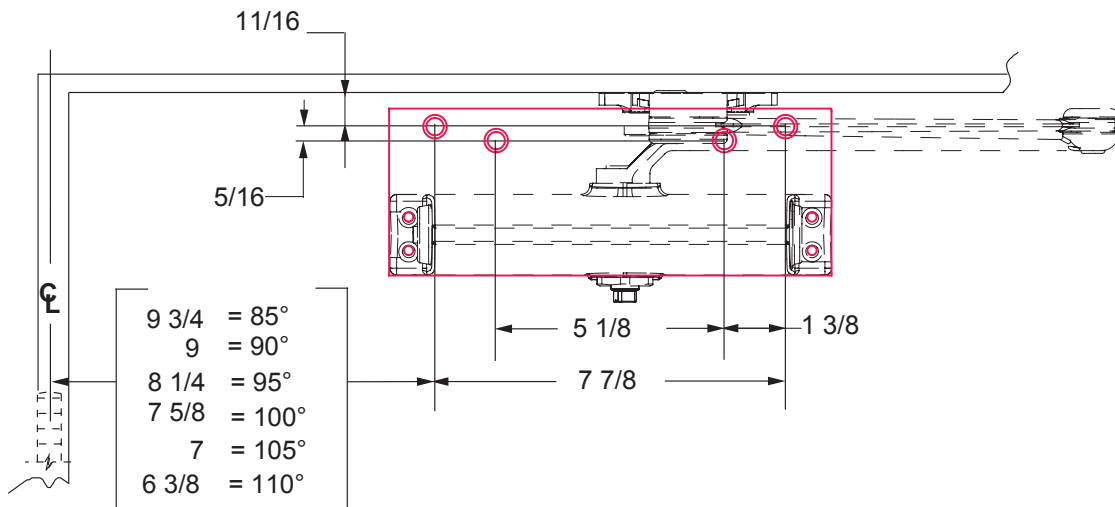
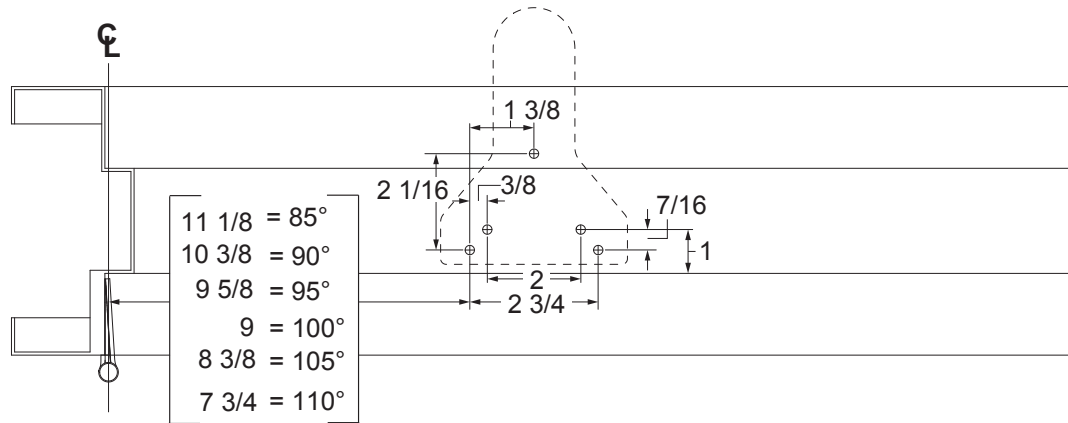


**GENERAL NOTES:**

1. IF DOOR IS HUNG ON PIVOTS OR SWING CLEAR HINGES LOCATE CLOSER AND SHOE FROM CENTER LINE OF PIVOT POINT.
2. TOP RAIL LESS THAN  $4 \frac{3}{4}$  REQUIRES DROP PLATE.
3. ALL DIMENSIONS APPLICABLE FOR HOLD OPEN.
4. REINFORCING PER. ANSI/SDI-100 RECOMMENDED FOR HOLLOW METAL DOOR AND FRAMES.
5. USING FASTERS PROVIDED MOUNT DROP PLATE WITH (4)  $1/4 - 14 \times 1 \frac{3}{8}$  S.R.T. MOUNT CLOSER TO DROP PLATES WITH (4)  $1/4 - 20 \times 1 \frac{1}{2}$  P.H.M.S. MAX. BUTT HINGE SIZE  $5 \times 5$ .

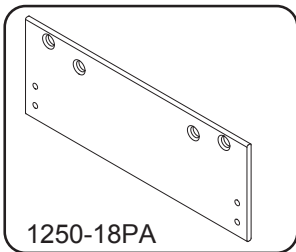
**1250 CUSH  
DROP PLATES**

**PUSH SIDE, PARALLEL ARM MOUNTED ON:  
1250-18PA DROP PLATE**



LEFT HAND DOOR SHOWN  
RIGHT HAND DOOR OPPOSITE

NOTES -  
1. MINIMUM TOP RAIL 2 1/2".



**GENERAL NOTES:**

1. IF DOOR IS HUNG ON PIVOTS OR SWING CLEAR HINGES LOCATE CLOSER AND SHOE FROM CENTER LINE OF PIVOT POINT.
2. TOP RAIL LESS THAN 4 3/4 REQUIRES DROP PLATE.
3. ALL DIMENSIONS APPLICABLE FOR HOLD OPEN OR DEAD STOP.
4. REINFORCING PER. ANSI/SDI-100 RECOMMENDED FOR HOLLOW METAL DOOR AND FRAMES.

**Customer Service**

1-877-671-7011 [www.allegion.com/us](http://www.allegion.com/us)



© Allegion 2015  
Printed in U.S.A.  
71930 Rev. 01/16-a