



Surface mounted closer

1260 Series

Overview

The 1260 is a light to medium duty cast iron closer designed to fit into the most common commercial foot print. The 1260 is adjustable for spring sizes 1-5. The 1260 also features a complete line of regular and extra duty arms, LCN's peel-n-stick installation templates, a convenient spring adjust pointer, and an optional Quick Fix™ bracket kit.



Cylinder

1261(2)(3)(4)(5)-3071

Cast iron cylinder assembly

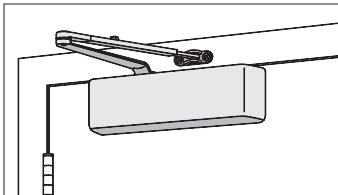
Handing

Non-handed

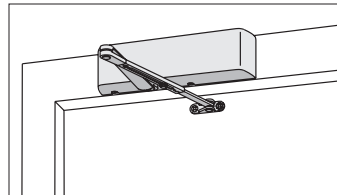
Sizing

Adjustable spring size 1-6

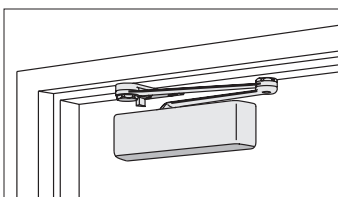
Mounting



Hinge (pull side)



Top jamb (push side)

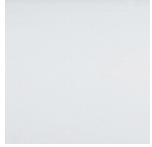


Parallel arm (push side)



Finishes

Powder coat finishes



689
Aluminum



690
Statuary Bronze



691
Light Bronze



693
Black



695
Dark Bronze

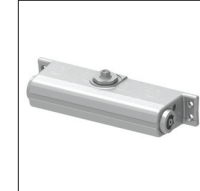


696
Brass

150+ additional custom colors available using the RAL numbering system

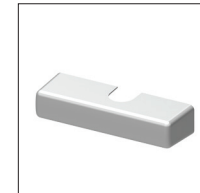
Covers

Standard cover



None

Optional covers



1260-72

Slim line plastic cover

- Non-handed
- Optional

Available finish options

MTLPC	Brite metallic: Custom powder coat finish, which resembles that of US26 or US26D plated finish.
SRI	For installations where a higher level of protection against weather conditions, or the effects of a potentially corrosive atmosphere is required, LCN offers a special rust inhibiting (SRI) process. Ferrous metal components receive an SRI pretreatment and a standard powder coat finish of your choice, or a custom powder coat finish for a nominal additional cost. Closers treated with the SRI process exceed the 100 hour protection level available with standard LCN powder coated finishes.

Arms



- 1260-3077**
Regular arm w/PA
- Non-handed
 - Mounts hinge side or top jamb
 - Parallel Arm includes PA SHOE, 1260-62PA required for parallel arm mounting



- 1260-3077L**
Long arm
- Non-handed
 - Includes LONG ROD AND SHOE, 1260-79LR for top jamb mount with deep reveals
 - Optional



- 1260-3049**
Hold-open arm
- Non-handed
 - Mounts hinge side, top jamb or parallel arm (62PA required)
 - Hold-open adjustable at shoe
 - Optional



- 1260-3049L**
Long hold-open arm
- Non-handed
 - Includes LONG HEAD AND TUBE, 1260-3048L for top jamb mount with deep reveals
 - Optional



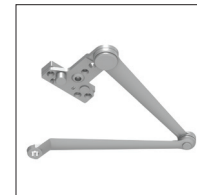
- 1260-3077EDA**
Extra duty arm
- Non-handed
 - Features solid forged steel main and forearm for potentially abusive installations
 - Optional 1260-3077EDA/G for blade stop clearance



- 1260-3077EDA/62G**
Extra duty arm with 62G
- Non-handed
 - Features solid forged steel main and forearm for potentially abusive installations



- 1260-3049EDA**
Hold-open extra duty arm
- Handed
 - Provides hold-open function adjustable at shoe
 - Optional

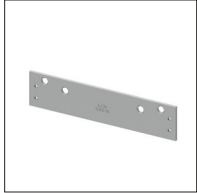


- 1260-3077CNS**
Cush-n-Stop® Arm
- Non-handed
 - Features solid forged steel main arm and forearm with stop in soffit shoe
 - Optional



- 1260-3049CNS**
HCUSH Arm
- Non-handed
 - Provides hold-open function with templated stop/hold-open points
 - Handle controls hold-open function
 - Optional

Installation accessories



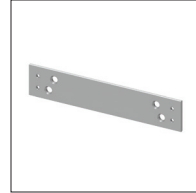
1260-18
Plate

- Required for hinge side mount where top rail is less than 2-1/2" (64 mm)
- Required for top jamb mounting where head frame is less than 1-3/4" (44 mm) or flush ceiling condition exists
- Requires minimum 1-1/2" (38 mm) minimum top rail or 1-1/4" (32 mm) head frame



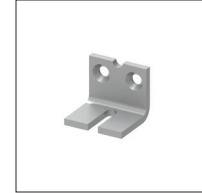
1260-18PA
Plate

- Required for parallel arm mounting where top rail is less than 4-3/8" (111 mm), measured from the stop
- Requires 1-3/4" (44 mm) minimum top rail



1260-18QF
Quick Fix™ bracket kit

- Optional kit includes retro-fit mounting plates for 1371 closer cylinder and shoe
- Useful in applications when previously drilled holes are damaged



1260-30
CUSH shoe support

- Provide anchorage for fifth screw used with CUSH arms where reveal is less than 3-1/16" (78 mm)



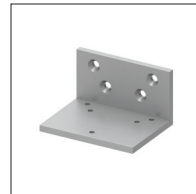
1260-61
Blade stop spacer

- Lowers parallel arm shoe to clear 1/2" (13 mm) blade stop



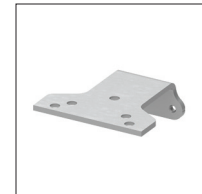
1260-62A
Auxiliary shoe

- Requires a top rail of 7" (178 mm)
- Optional shoe replaces -62PA for parallel arm mounting of regular arm with overhead holder/stop



1260-419
PA flush panel adapter

- Provides horizontal mounting surface for PA, EDA or CUSH shoe on single rabbeted or flush frame



1260-62PA
PA shoe

- Required for parallel arm mounting

Fasteners

Self-reaming and tapping screws included standard

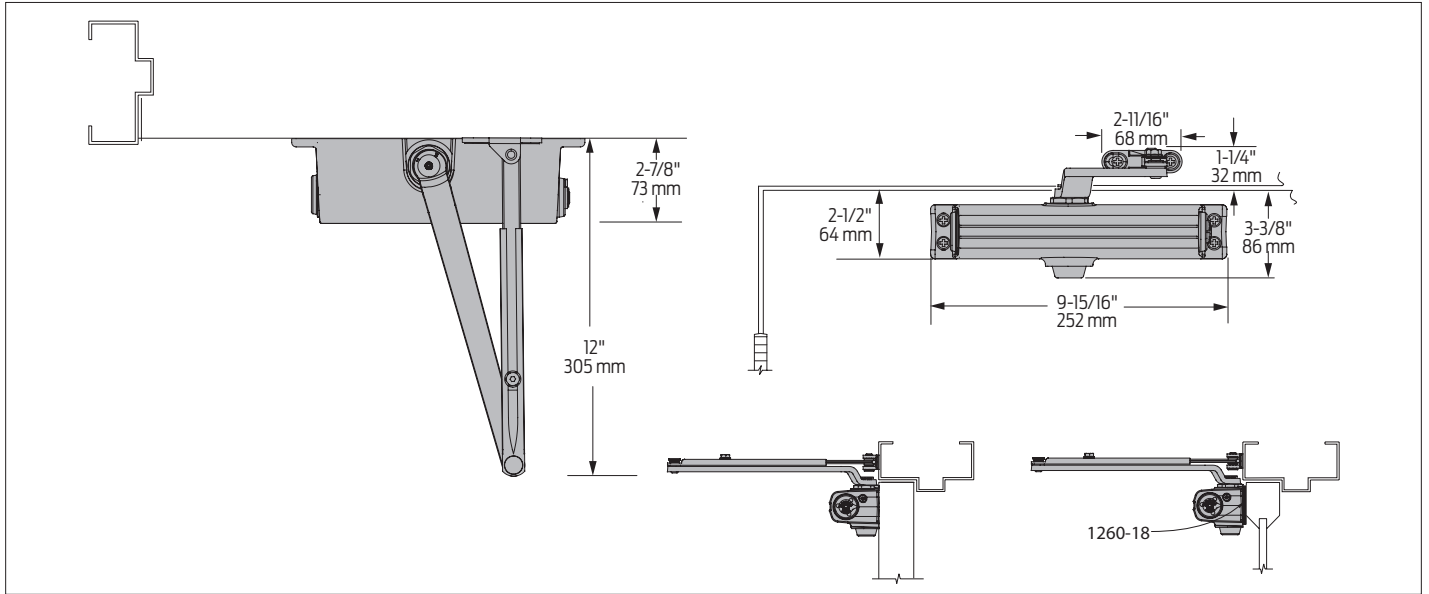
Fastener pack options

TBSRT	TB ¹ with self-reaming and tapping screws
WMS	Wood and machine screw
TBWMS	TB ¹ , wood and machine screw
TORX	TORX machine screw
TBTORX	TB ¹ and TORX machine screw

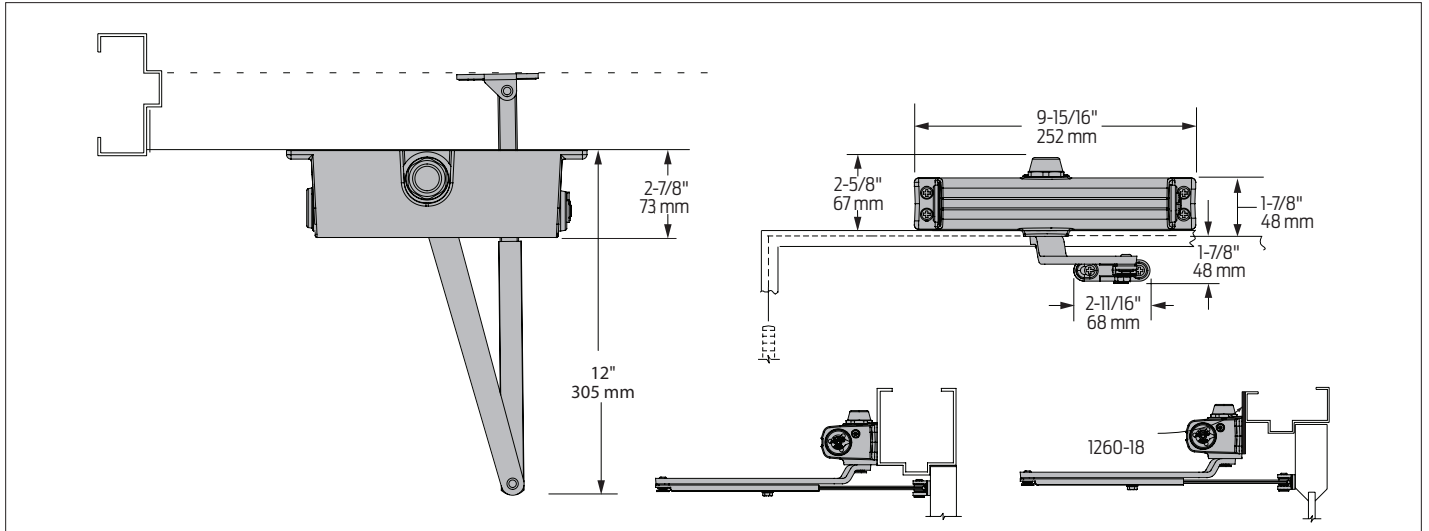
¹ Specify door thickness if other than 1-3/4"

Dimensions and mounting

Hinge (pull) side mounting

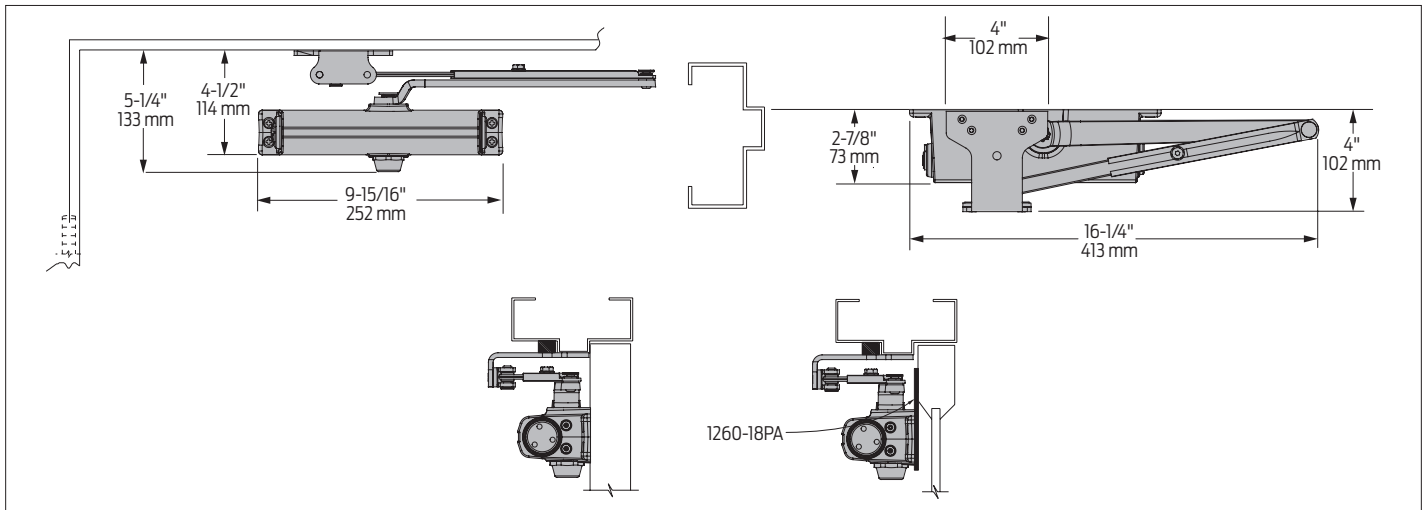


Top jamb (push side) mounting

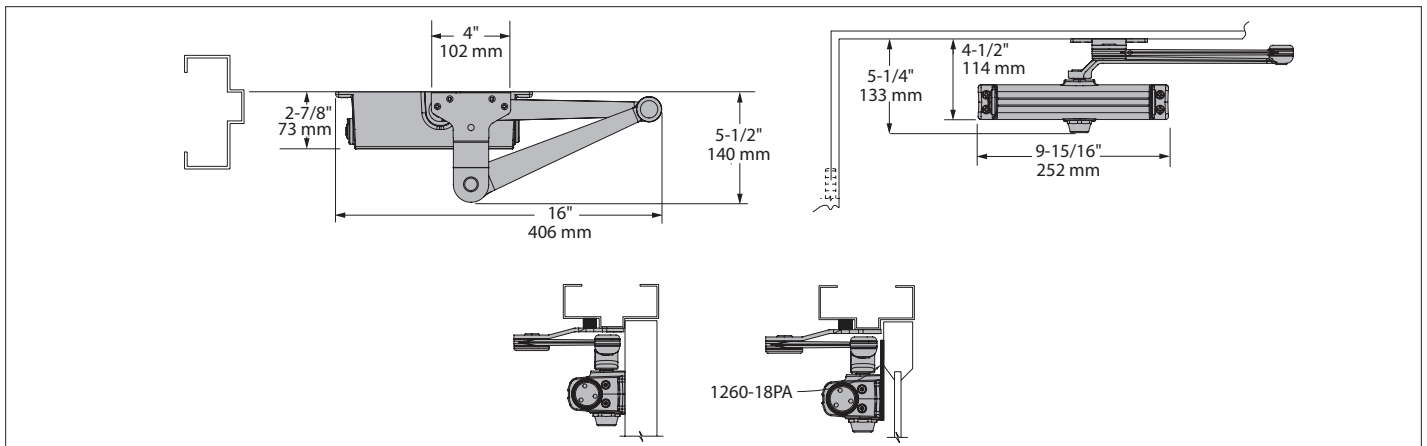


Dimensions and mounting

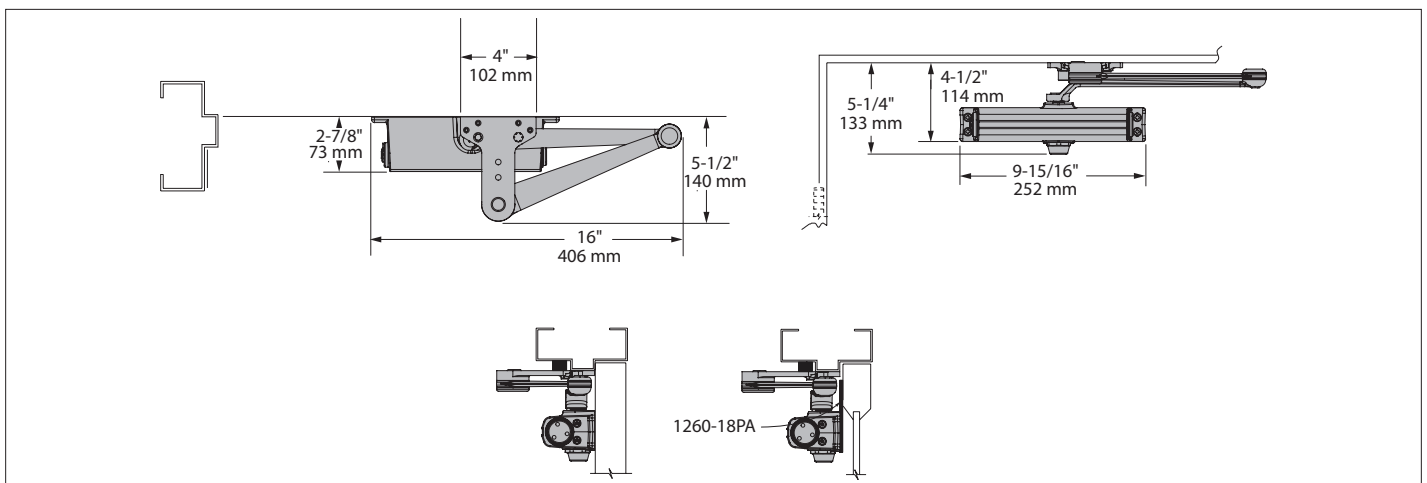
Parallel arm (push side) mounting



EDA mount



CUSH mount



Specifications

Accessibility	Available with less than 5.0 lbs. opening force on 36" door
Certifications/ approvals	<ul style="list-style-type: none"> ■ Grade 1 - ANSI A156.4 ■ Meets BAA - Buy American Act
Degree of operation	<p>Hinge (pull) side</p> <p>Max opening: 180°</p> <p>Hold open: 180°</p> <p>Top jamb (push side) mount</p> <p>Max opening: 180°</p> <p>Hold open: 180°</p> <p>Parallel arm with 62PA</p> <p>Max opening: 180°</p> <p>Hold open: 180°</p> <p>EDA</p> <p>Max opening: 120°</p> <p>Hold open: 120°</p> <p>Cush</p> <p>Max opening: 110°</p> <p>Hold open: 110°</p>
Environmental conditions	<ul style="list-style-type: none"> ■ Approved for interior use ■ Approved for exterior use (SRI coated only) ■ LCN's standard all weather fluid performs to temperature ranges from 120°F (49°C) to -30°F (-35°C) ■ LCN's powder coat finish surpasses 100 hours of salt spray which is over four times the ANSI standard for corrosion resistance.
Warranty	20 years
Standard features	<ul style="list-style-type: none"> ■ Cast iron body ■ Full complement bearing ■ 1-3/8" diameter piston ■ 5/8" diameter single heat treated pinion journal