



Surface mounted closer

1460 Series

Overview

Designed for maximum versatility, the 1460, available with multiple cover options, can be used for both commercial and institutional applications. This fully universal closer offers a wide variety of options and fast and accurate installation.



Cylinder

1461-3071

Cast iron cylinder assembly

Handing

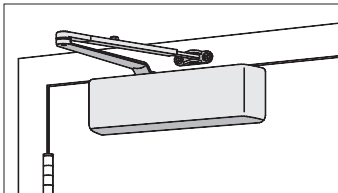
Non-handed

Sizing

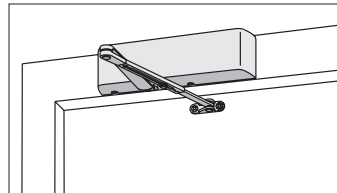
Adjustable spring size 1-6

Includes patented Green Dial

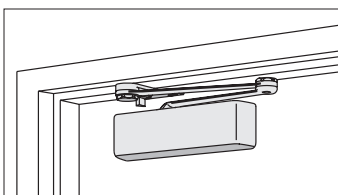
Mounting



Hinge (pull side)



Top jamb (push side)

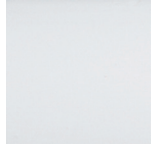


Parallel arm (push side)



Finishes

Powder coat finishes



689
Aluminum



690
Statuary Bronze



691
Light Bronze



693
Black



695
Dark Bronze



696
Brass

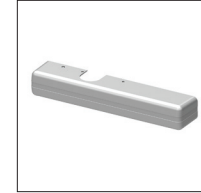
150+ additional custom colors available using the RAL numbering system

Available finish options

MTLPC	Brite metallic: Custom powder coat finish, which resembles that of US26 or US26D plated finish.
SRI	For installations where a higher level of protection against weather conditions, or the effects of a potentially corrosive atmosphere is required, LCN offers a special rust inhibiting (SRI) process. Ferrous metal components receive an SRI pretreatment and a standard powder coat finish of your choice, or a custom powder coat finish for a nominal additional cost. Closers treated with the SRI process exceed the 100 hour protection level available with standard LCN powder coated finishes.

Covers

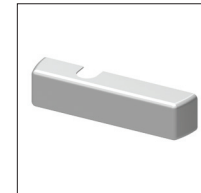
Standard cover



1460-72
Slim line plastic cover

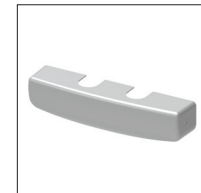
- Non-handed

Optional covers



1460-72FC
Full plastic cover

- Non-handed
- Optional



1460-72DS
Designer series metal cover

- Non-handed
- Provides complete enclosure with a stylish look
- Required for plating and custom powder coat option
- Optional

Arms



1460-3077

Regular arm

- Non-handed
- Mounts hinge side or top jamb
- P1460 closer includes PA SHOE, 1460-62PA required for parallel arm mounting



1460-3077L

Long arm

- Non-handed
- Includes LONG ROD AND SHOE, 1460-79LR for top jamb mount with deep reveals
- Optional



1460-3077HD

Heavy duty regular arm

- Non-handed
- Mounts hinge side, top jamb or parallel arm
- Optional



1460-3077HDL

Heavy duty long arm

- Non-handed
- Includes long rod and shoe, 1460-79LR for top jamb mounts with deep reveals
- Optional



1460-3049

Hold-open arm

- Non-handed
- Mounts hinge side, top jamb or parallel arm (62PA required)
- Hold-open adjustable at shoe
- Optional



1460-3049L

Long hold-open arm

- Non-handed
- Includes LONG HEAD AND TUBE, 1460-3048L for top jamb mount with deep reveals
- Optional



1460-3077EDA

Extra duty arm

- Non-handed
- Features solid forged steel main and forearm for potentially abusive installations
- Optional 1460-3077EDA/62G for blade stop clearance



1460-3077EDA/62G

Extra duty arm with 62G

- Non-handed
- Features solid forged steel main and forearm for potentially abusive installations



1460-3049EDA

Hold-open extra duty arm

- Handed
- Provides hold-open function adjustable at shoe
- Optional



1460-3077CNS

Cush-n-Stop® Arm

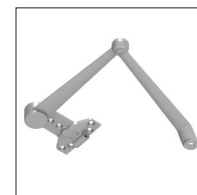
- Non-handed
- Features solid forged steel main arm and forearm with stop in soffit shoe
- Optional



1460-3049CNS

HCUSH Arm

- Non-handed
- Provides hold-open function with templated stop/hold-open points
- Handle controls hold-open function
- Optional



1460-3077SCNS

Spring CUSH arm

- Non-handed
- For abusive applications features solid forged steel main arm and forearm with spring loaded stop in the soffit shoe
- Optional

Arms

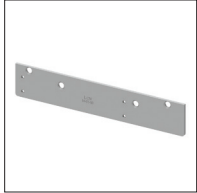


1460-3049SHCNS

Spring HCUSH arm

- Non-handed
- For abusive applications features solid forged steel main arm and forearm with spring loaded stop in the soffit shoe. Handle controls hold-open function
- Optional

Installation accessories



1460-18

Plate

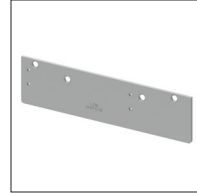
- Required for hinge side mount where top rail is less than 2-1/2" (64 mm)
- Required for top jamb mounting where head frame is less than 1-3/4" (44 mm) or flush ceiling condition exists
- Requires minimum 1-1/2" (38 mm) minimum top rail or 1-1/4" (32 mm) head frame
- With full cover, use plate 1460-18FC
- With Designer Series metal cover use plate 1460-18DS1



1460-18DS1

Plate

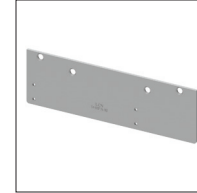
- Required for hinge side mount where top rail is less than 2-1/2" (64 mm)
- Required for top jamb mounting where head frame is less than 1-3/4" (44 mm) or flush ceiling condition exists
- Requires minimum 1-1/2" (38 mm) minimum top rail or 1-1/4" (32 mm) head frame
- For use with Designer Series metal cover
- Will not work in top jamb application



1460-18FC

Plate

- Required for hinge side mount where top rail is less than 2-1/2" (64 mm)
- Required for top jamb mounting where head frame is less than 1-3/4" (44 mm) or flush ceiling condition exists
- Requires minimum 1-1/2" (38 mm) minimum top rail or 1-1/4" (32 mm) head frame
- For use with full cover
- With Designer Series metal cover, use plate 1460-18DS1
- Will not work in top jamb application



1460-18PA

Plate

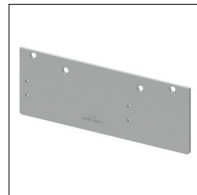
- Required for parallel arm mounting where top rail is less than 4-3/8" (111 mm), measured from the stop
- Requires 1-3/4" (44 mm) minimum top rail
- With full cover, use plate 1460-18PAFC
- With Designer Series metal cover, use plate 1460-18PADS1



1460-18PADS1

Plate

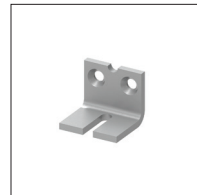
- Required for parallel arm mounting where top rail is less than 4-3/8" (111 mm), measured from the stop
- Requires 1-3/4" (44 mm) minimum top rail
- With full cover, use plate 1460-18PAFC
- For use with Designer Series metal cover



1460-18PAFC

Plate

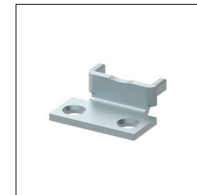
- Required for parallel arm mounting where top rail is less than 4-3/8" (111 mm), measured from the stop
- Requires 1-3/4" (44 mm) minimum top rail
- For use with full cover
- With Designer Series metal cover, use plate 1460-18PADS1



1460-30

Cush shoe support

- Provide anchorage for fifth screw used with CUSH arm where reveal is less than 3-1/16" (78 mm)



1460-30A

Mounting bracket

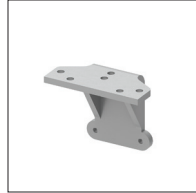
- Bracket to be used when installing cylinder body
- Included with cylinder when ordered

Installation accessories



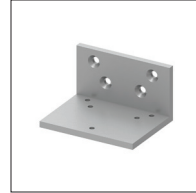
**1460-61
Blade stop spacer**

- Lowers parallel arm shoe to clear 1/2" (13 mm) blade stop



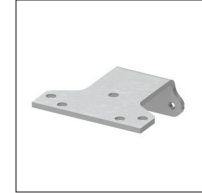
**1460-62A
Auxiliary shoe**

- Requires a top rail of 7" (178 mm)
- Optional shoe replaces -62PA for parallel arm mounting of regular arm with overhead holder/stop



**1460-419
PA flush panel adapter**

- Provides horizontal mounting surface for PA, EDA, or CUSH shoe on single rabbeted or flush frame



**1460-62PA
PA shoe**

- Required for parallel arm mounting

Fasteners

Self-reaming and tapping screws included standard

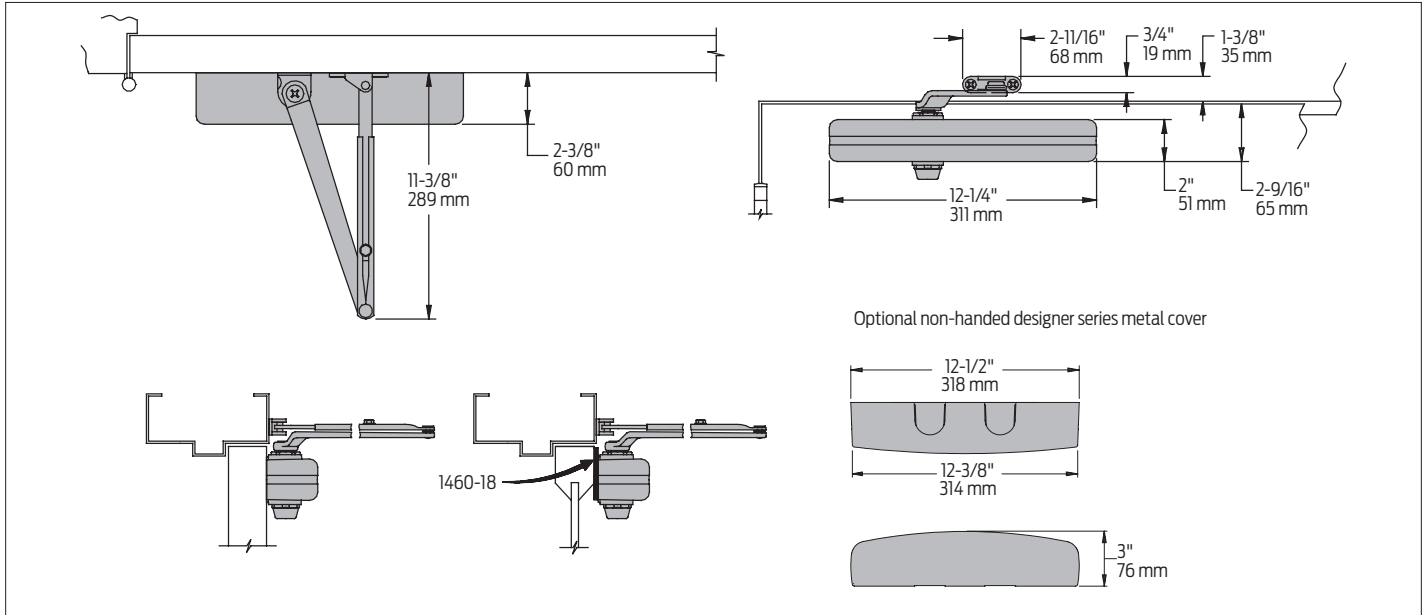
Fastener pack options

TBSRT	TB ¹ with self-reaming and tapping screws
WMS	Wood and machine screw
TBWMS	TB ¹ , wood and machine screw
TORX	TORX machine screw
TBTORX	TB ¹ and TORX machine screw

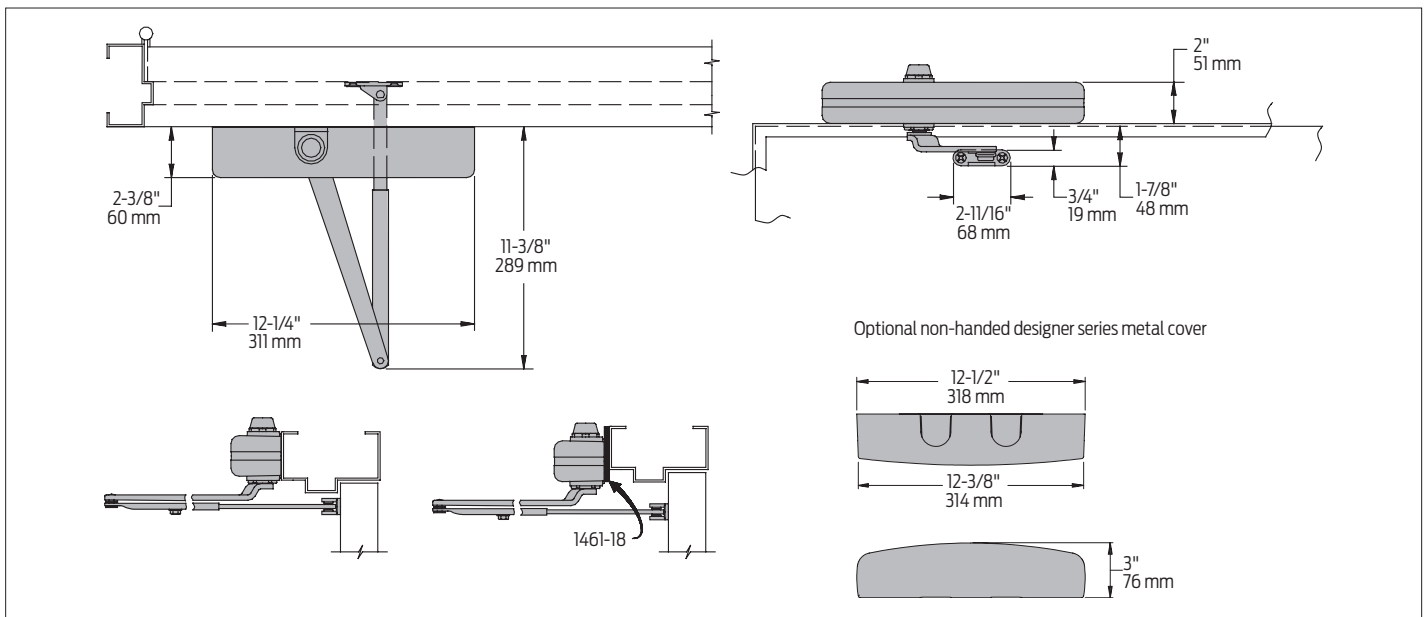
¹ Specify door thickness if other than 1-3/4"

Dimensions and mounting

Hinge (pull) side mounting

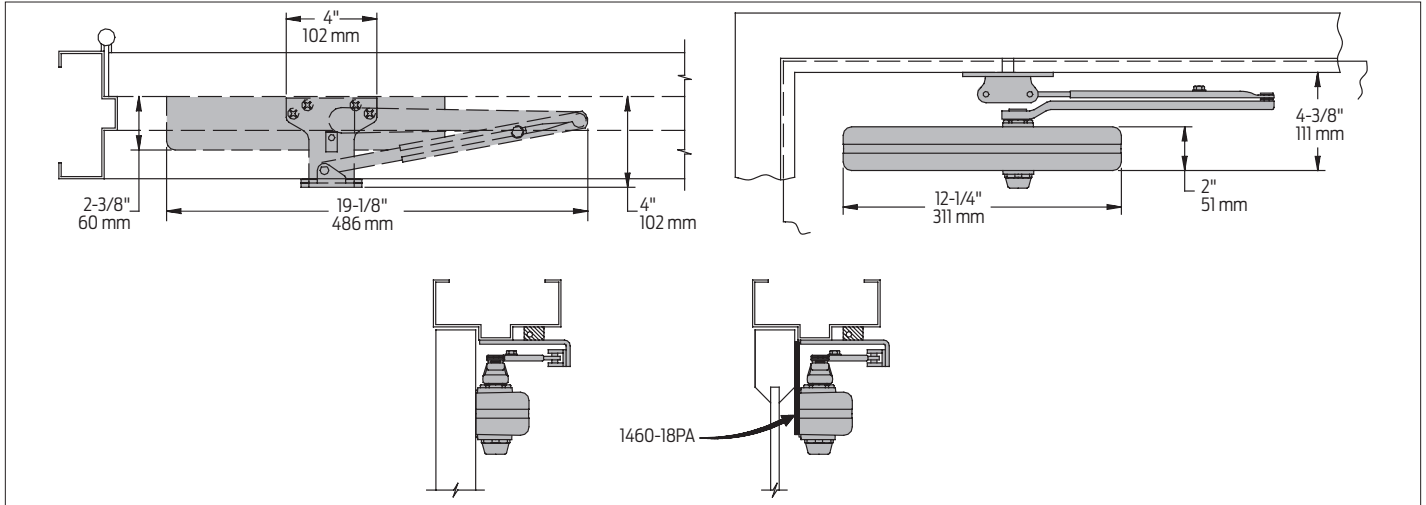


Top jamb (push side) mounting

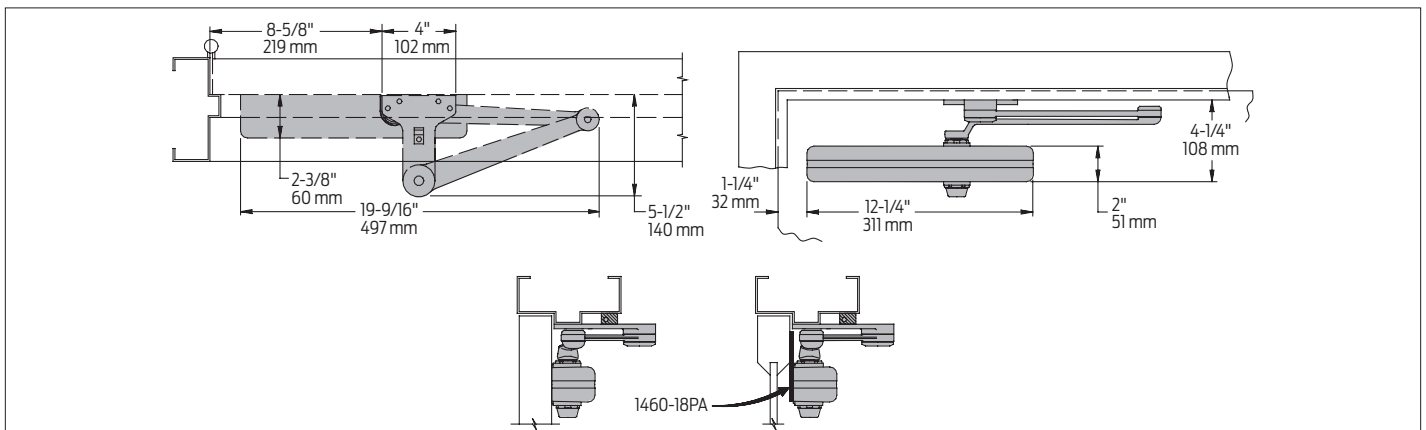


Dimensions and mounting

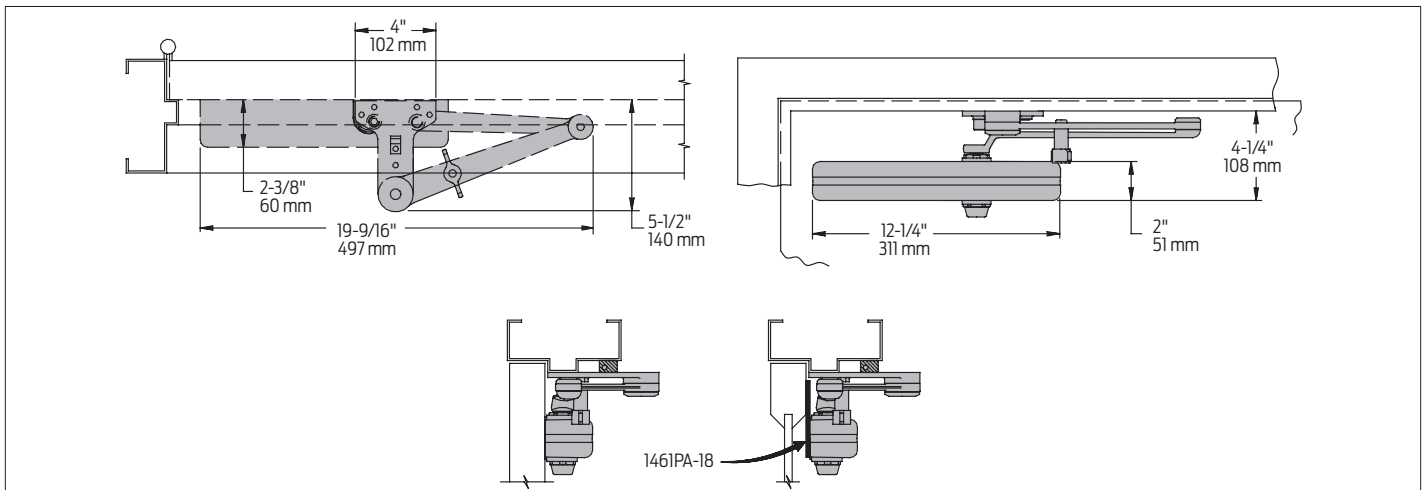
Parallel arm (push side) mounting



EDA mount



CUSH



Specifications

Accessibility	Available with less than 5.0 lbs. opening force on 36" door
Certifications/ approvals	<ul style="list-style-type: none"> ■ Grade 1 - ANSI A156.4 ■ UL 10C ■ Meets BAA - Buy American Act
Degree of operation	<p>Hinge (pull) side</p> <p>Max opening: 180°</p> <p>Hold open: 180°</p> <p>Top jamb (push side) mount</p> <p>Max opening: 180°</p> <p>Hold open: 120°</p> <p>Parallel arm with 62PA</p> <p>Max opening: 180°</p> <p>Hold open: 180°</p> <p>EDA</p> <p>Max opening: 110°</p> <p>Hold open: 110°</p> <p>Cush</p> <p>Max opening: 100°</p> <p>Hold open: 100°</p>
Environmental conditions	<ul style="list-style-type: none"> ■ Approved for interior use ■ Approved for exterior use (SRI coated only) ■ LCN's standard all weather fluid performs to temperature ranges from 120°F (49°C) to -30°F (-35°C) ■ LCN's powder coat finish surpasses 100 hours of salt spray which is over four times the ANSI standard for corrosion resistance.
Warranty	30 years
Standard features	<ul style="list-style-type: none"> ■ Cast iron body ■ Full complement bearing ■ 1-1/4" diameter piston ■ 5/8" diameter single heat treated pinion journal