



27032

# 3210 Series

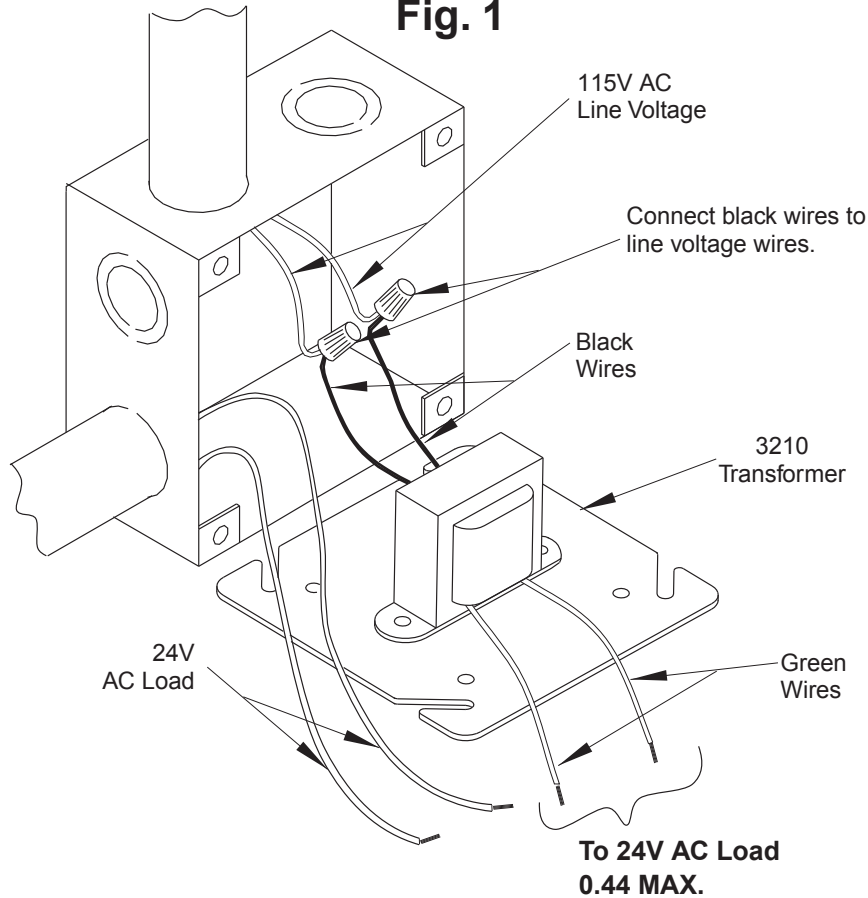


24VAC Transformer

Installation and Wiring Instructions

This unit is intended to be mounted onto a 4" x 4" x 2 1/8" electrical junction box. This transformer is intended for use on: SE, ME and SEM Series products. Its purpose is to reduce line voltage from 115V AC to 24V AC.

**Fig. 1**



**⚠ CAUTION ⚠**



**HAZARDOUS VOLTAGE CAN SHOCK AND CAUSE SEVERE INJURY**

**Disconnect power before making any electrical connections or performing maintenance.**

**To Install Transformer:**

- 1a Turn off incoming power before any connections take place.
- 1b Connect the black wires (primary) of the transformer to the 115V AC supply voltage (See **Fig. 1**).
- 1c Connect the green wires (secondary) of the transformer to the 24V AC load (See **Fig. 1**). Ex.: ME, MEC, MED, SE, SEC, SED.

- 1d Ensure that all connections are secure and no wires are exposed. Then fasten faceplate with mounted transformer to 4" x 4" junction box.
- 1e Turn on the main power.
- 1f Turn on load unit to ensure it is functioning properly. If not functioning, repeat the above steps.

**Customer Service**

1-877-671-7011    [www.allegion.com/us](http://www.allegion.com/us)



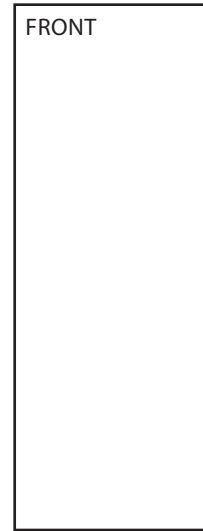
8.500



11.000

BEGINNING SHEET

4.25



11.000

FOLDED SHEET

Additional Notes:
1. None

Revision History						Revision Description:					
A	B	C	D	E	F	C > Revised artwork					
N/A	N/A	043812									
Material						Edited By		Approved By		EC Number	Release Date
White Paper						D. Myers		M. Sasso		043812	01-01-14
Notes						Title					
1. printed two sides						3210 Series 24VAC Transformer Instruction Sheet					
2. printed black						Creation Date		Number		Revision	
3. tolerance ± .13						04-27-10		27032		C	
4. printed in country may vary						Created By		Activity		© Allegion 2014	
5. drawings not to scale						N/A		3899 Hancock Expwy Security, CO 80911			
						Software: InDesign CS6					