



28499

4010, 4510

Drop Plates

LCN®

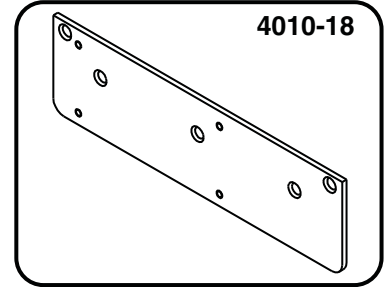
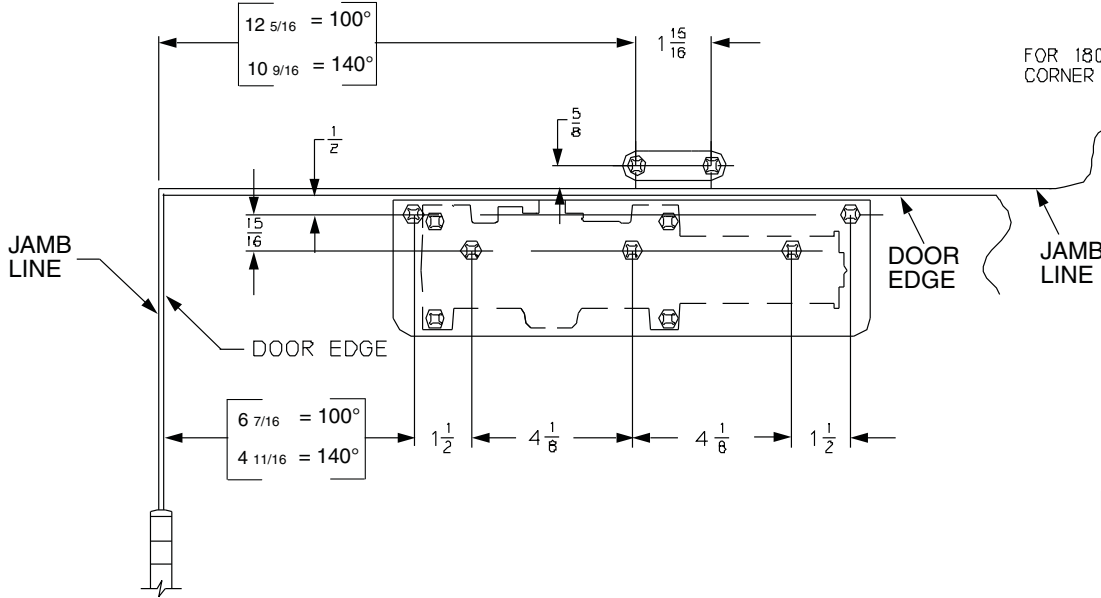
Templates

4010 PULL SIDE (DOOR MOUNT) DROP PLATE

PERMITS 140° MAXIMUM OPENING

**PULL SIDE MOUNT ON:
4010-18 DROP PLATE**

FOR 180° OPENING, MOUNT CLOSER ON No. 11
CORNER BRACKET SEE TEMPLATE 4010-CB.

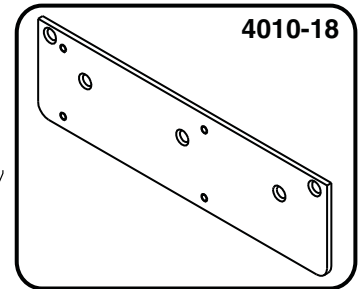
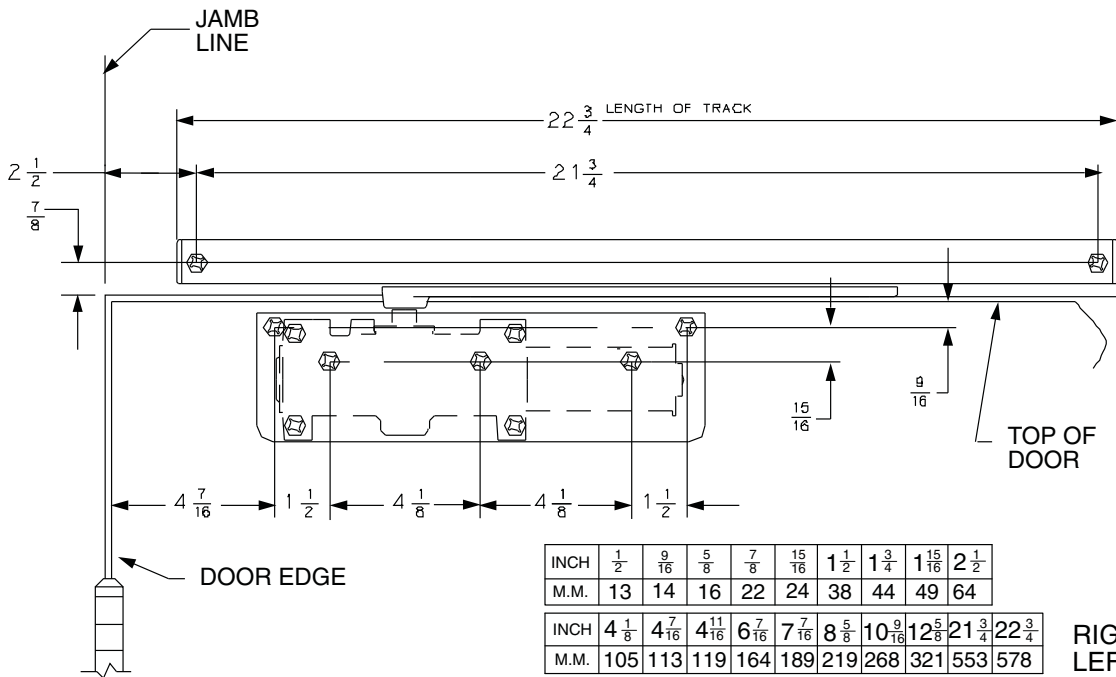


RIGHTHAND DOOR SHOWN,
LEFT HAND DOOR OPPOSITE

4010 TRACK PULL SIDE DROP PLATE

PERMITS 180° MAXIMUM OPENING

**PULL SIDE MOUNT ON:
4010-18 DROP PLATE**



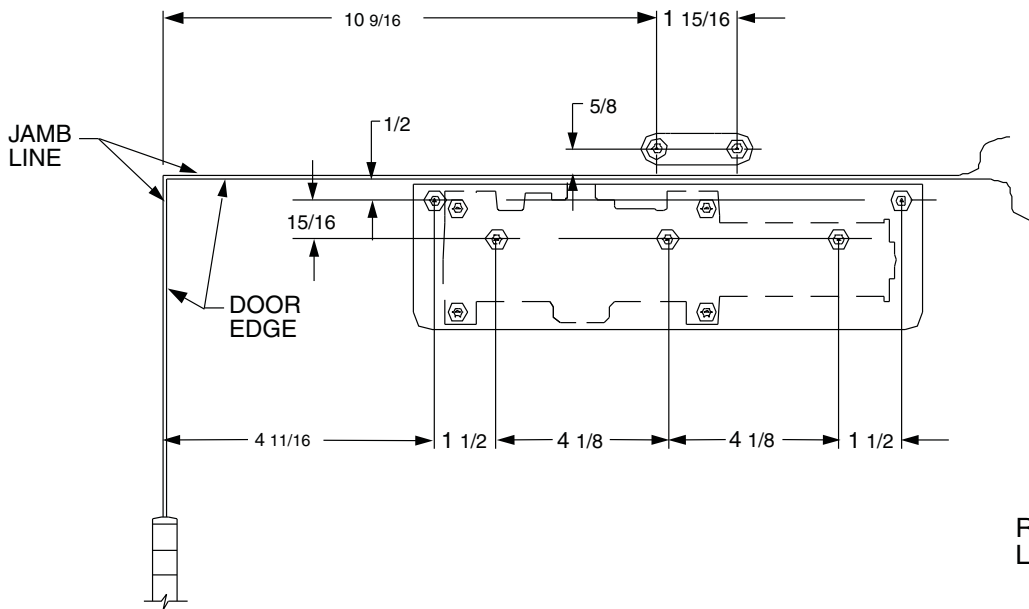
RIGHTHAND DOOR SHOWN,
LEFT HAND DOOR OPPOSITE

INCH	$\frac{1}{2}$	$\frac{9}{16}$	$\frac{5}{8}$	$\frac{7}{8}$	$\frac{15}{16}$	$1 \frac{1}{2}$	$1 \frac{3}{4}$	$1 \frac{15}{16}$	$2 \frac{1}{2}$
M.M.	13	14	16	22	24	38	44	49	64

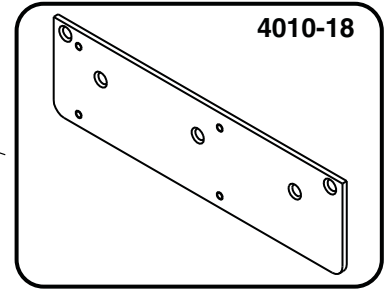
INCH	$4 \frac{1}{8}$	$4 \frac{7}{16}$	$4 \frac{11}{16}$	$6 \frac{7}{16}$	$7 \frac{7}{16}$	$8 \frac{5}{8}$	$10 \frac{9}{16}$	$12 \frac{5}{8}$	$21 \frac{3}{4}$	$22 \frac{3}{4}$
M.M.	105	113	119	164	189	219	268	321	553	578

4510 PULL SIDE (DOOR MOUNT) DROP PLATE

PERMITS 140° MAXIMUM OPENING



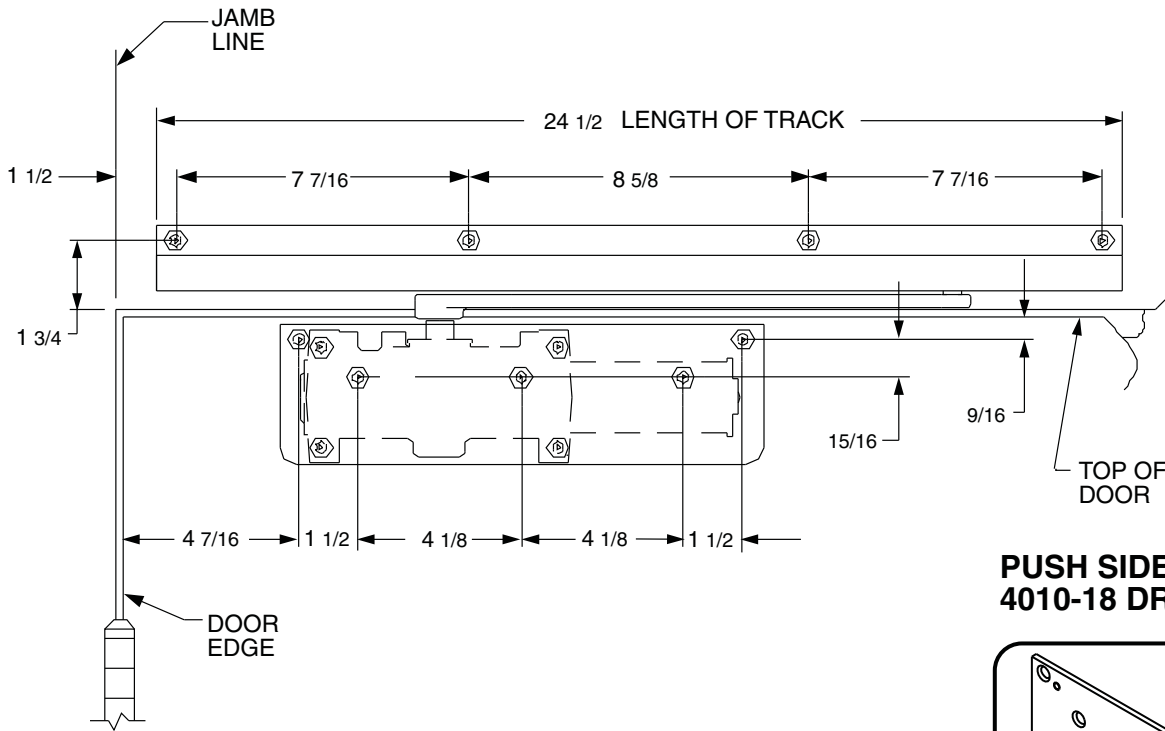
**PUSH SIDE MOUNT ON:
4010-18 DROP PLATE**



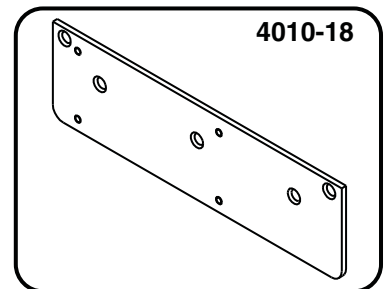
RIGHTHAND DOOR SHOWN,
LEFT HAND DOOR OPPOSITE

4510 TRACK PULL SIDE DROP PLATE

PERMITS 180° MAXIMUM OPENING



**PUSH SIDE MOUNT ON:
4010-18 DROP PLATE**



RIGHTHAND DOOR SHOWN,
LEFT HAND DOOR OPPOSITE

INCH	1/2	9/16	5/8	7/8	15/16	1 1/2	1 3/4	1 15/16	2 1/2
M.M.	13	14	16	22	24	38	44	49	64

INCH	4 1/8	4 7/16	4 11/16	6 7/16	7 7/16	8 5/8	10 9/16	12 5/8	21 3/4	22 3/4
M.M.	105	113	119	164	189	219	268	321	553	578

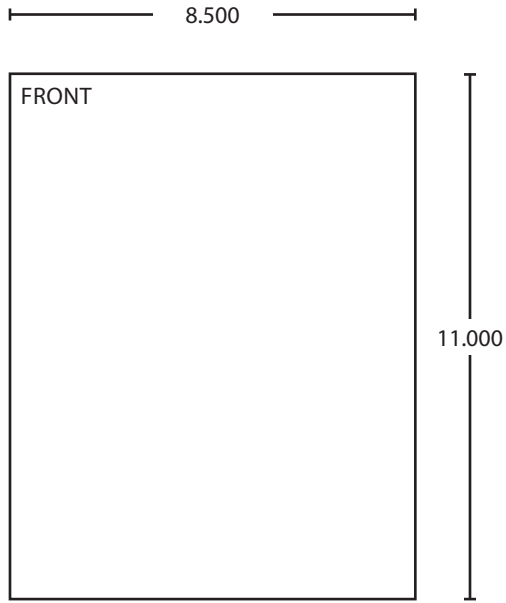
Customer Service

1-877-671-7011

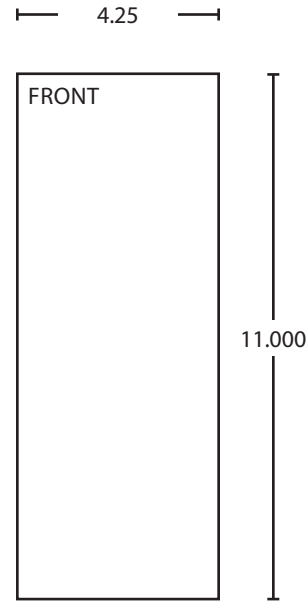
www.allegion.com/us



© Allegion 2015
Printed in U.S.A.
28499 Rev. 06/15-e



BEGINNING SHEET



FOLDED SHEET

Additional Notes:
1. None

Revision History						Revision Description: E > Revised artwork					
A	B	C	D	E	F						
N/A	N/A	N/A	043812								
Material						Edited By		Approved By		EC Number	Release Date
White Paper						J. Ellis		M. Roberts			06-09-15
Notes						Title					
1. printed two sides						4010 & 4510 Series Drop Plate Instruction Sheet					
2. printed black						Creation Date		Number		Revision	
3. tolerance ± .13						04-27-10		28499		E	
4. printed in country may vary						Created By		Activity		© Allegion 2015	
5. drawings not to scale						N/A		3899 Hancock Expwy Security, CO 80911			
						Software: InDesign CS6					