



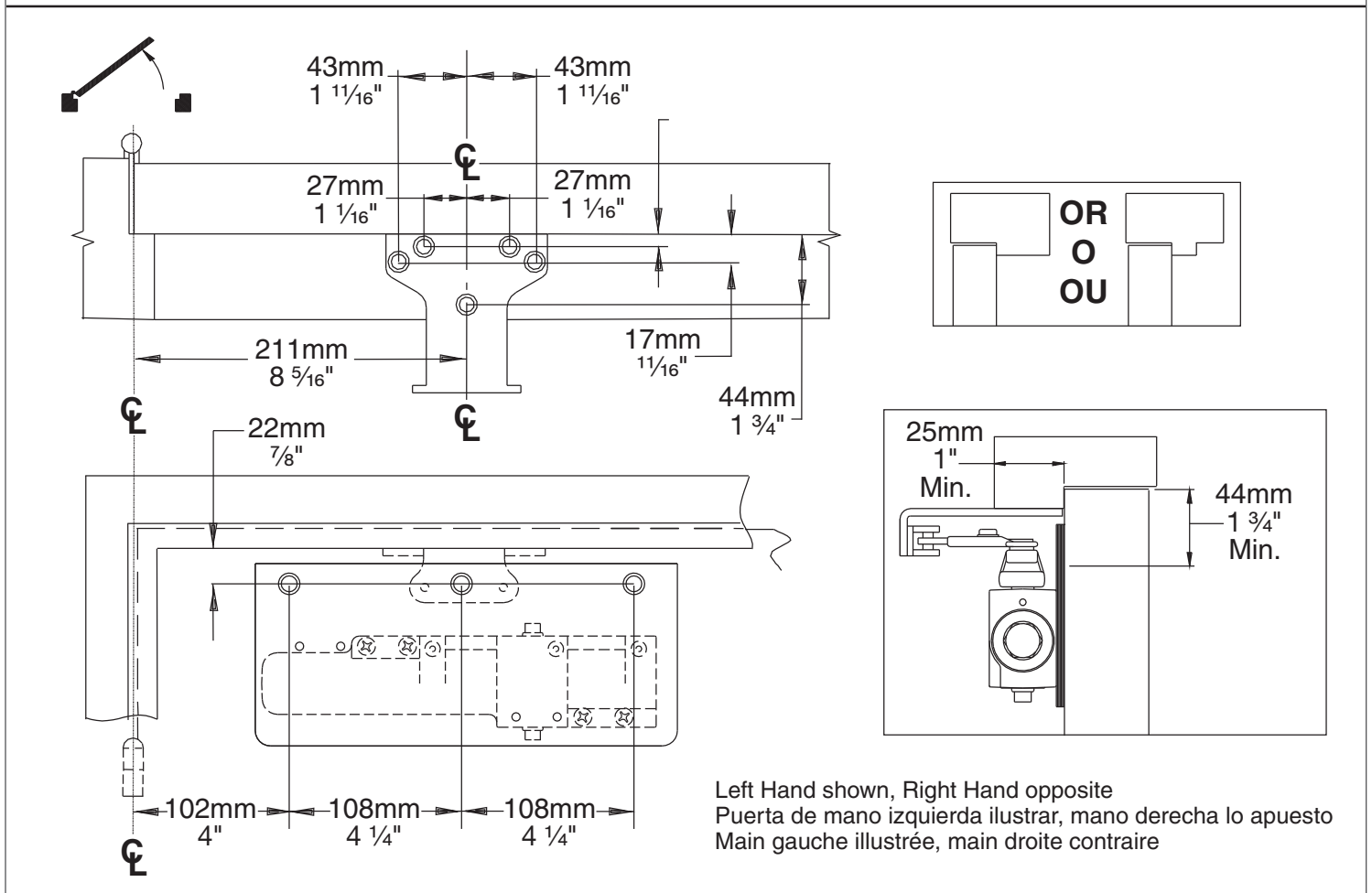
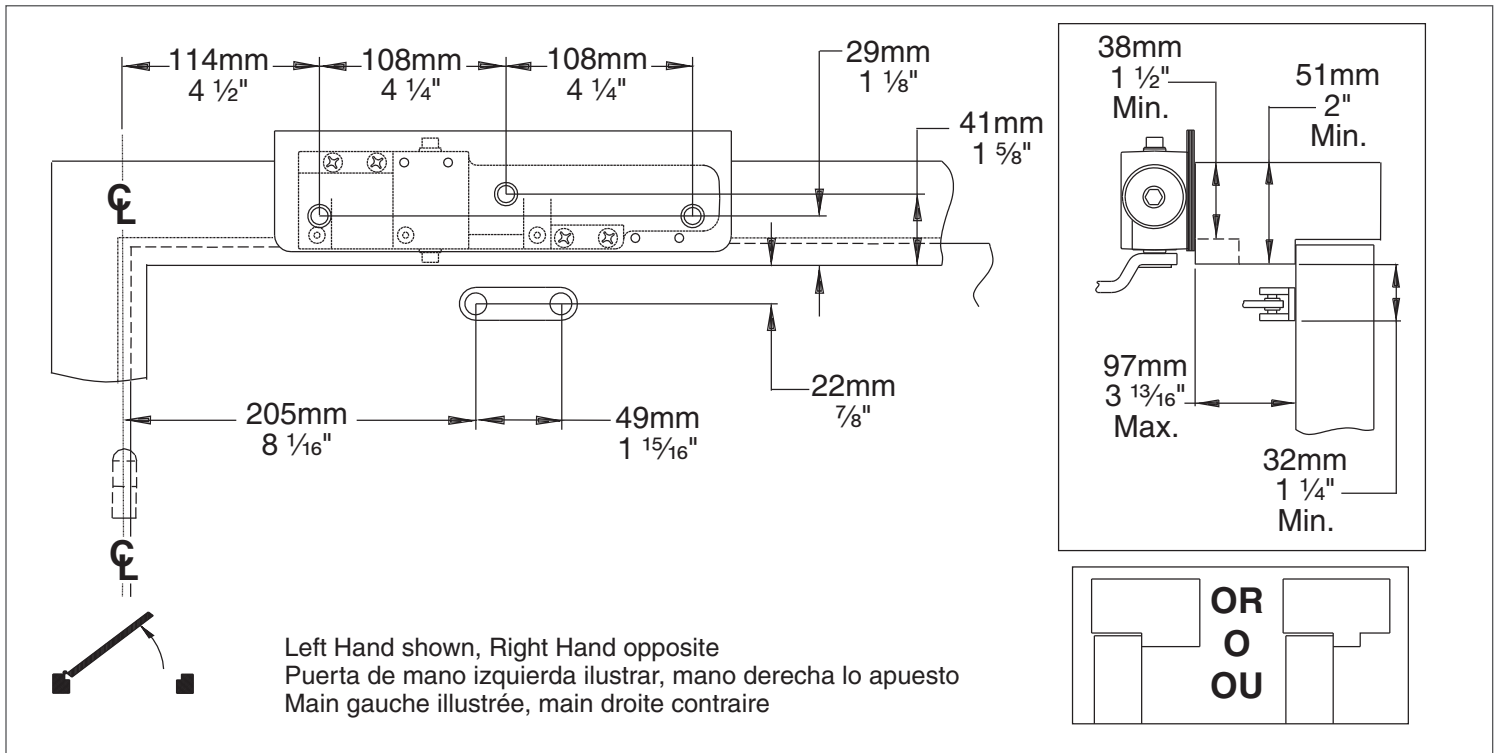
26125

# Drop Plate

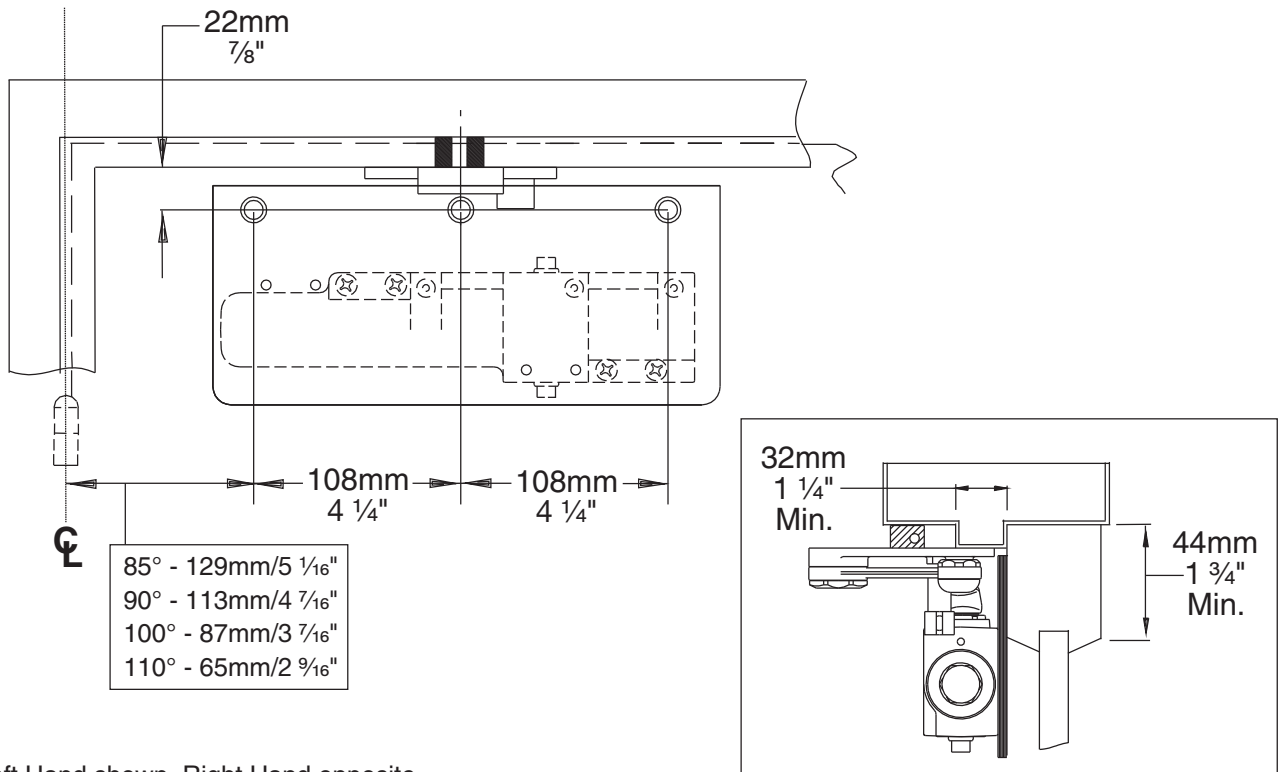
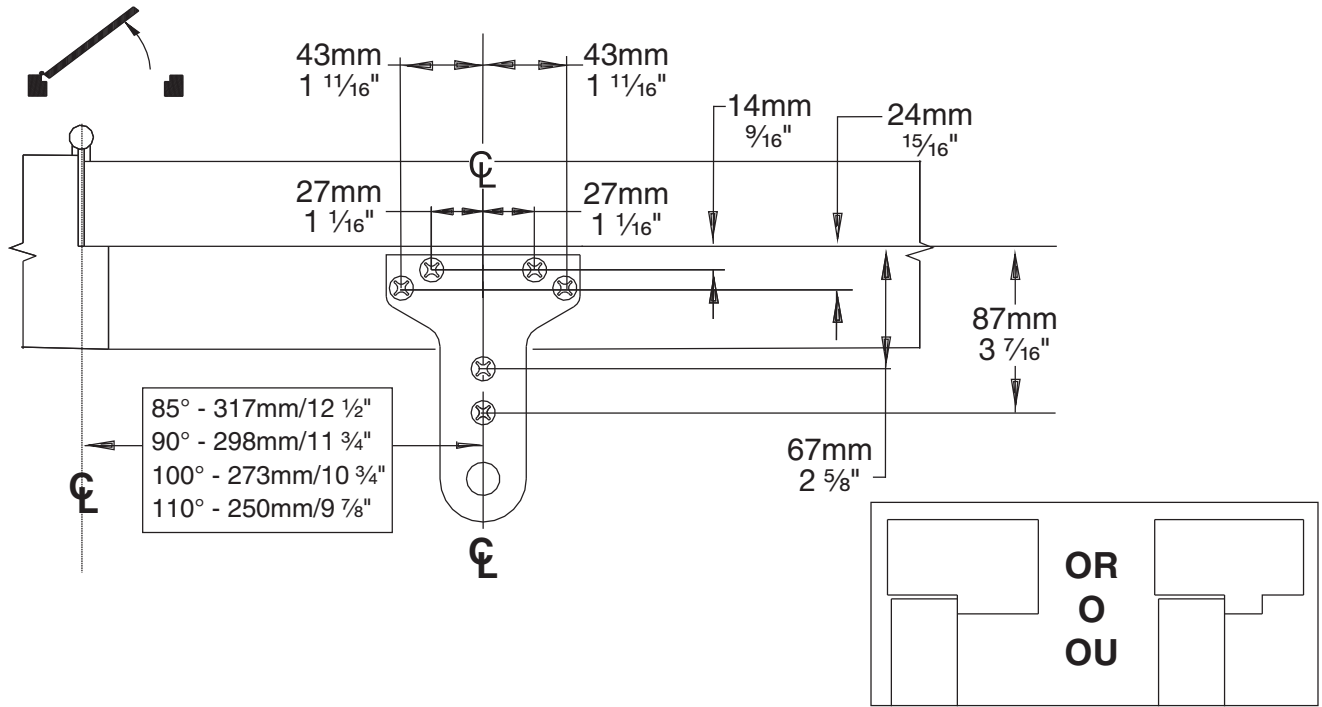
# LCN®

Adapter Plate Template  
Instalada en la placa inferior  
Une plaque de plafond

Drop Plate



# Spring Cush



Left Hand shown, Right Hand opposite  
 Puerta de mano izquierda ilustrar, mano derecha lo apuesto  
 Main gauche illustrée, main droite contraire

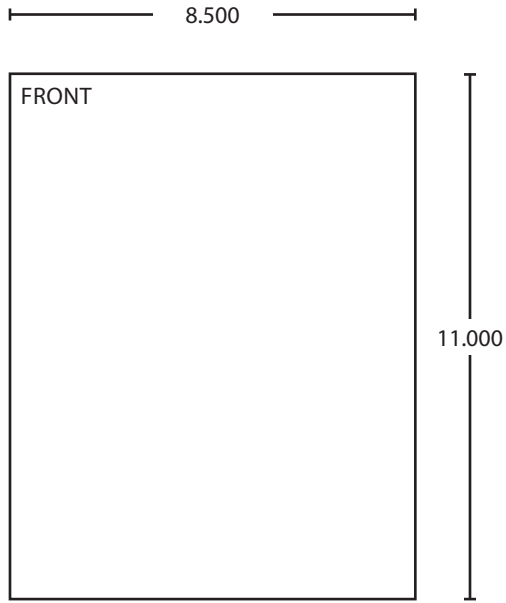
Customer Service Servicio al cliente Service à la clientèle

1-877-671-7011

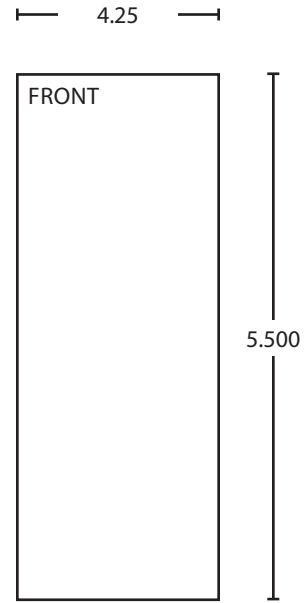
www.allegion.com/us



© Allegion 2014  
 Printed in U.S.A.  
 26125 Rev. 06/14-f



BEGINNING SHEET



FOLDED SHEET

Additional Notes:
1. None

Revision History						Revision Description:					
A	B	C	D	E	F	F > Revised artwork					
N/A	N/A	N/A	N/A	N/A	XXXXX						
Material						Edited By		Approved By		EC Number	Release Date
White Paper						D. Myers		M. Sasso		xxxxx	06-09-14
Notes						Title					
1. printed two sides						524 & 1521 Series Drop Plate Instruction Sheet					
2. printed black						Creation Date		Number		Revision	
3. tolerance ± .13						N/A		26125		F	
4. printed in country may vary						Created By		Activity		© Allegion 2014	
5. drawings not to scale						N/A		3899 Hancock Expwy Security, CO 80911			
						Software: InDesign CS6					