



71689

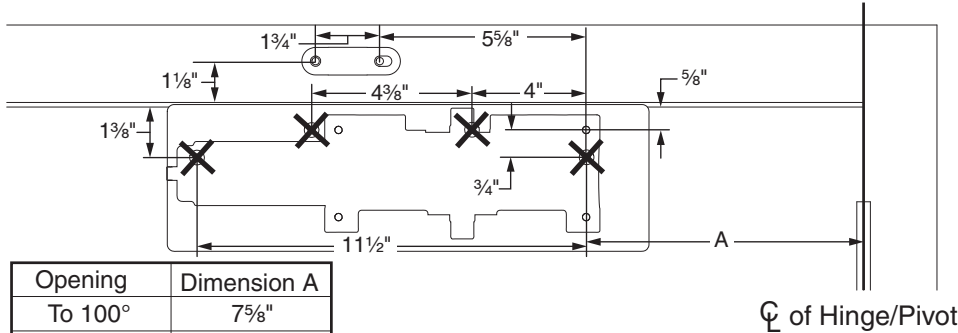
4050 Series



Drop Plate

Installation Instructions

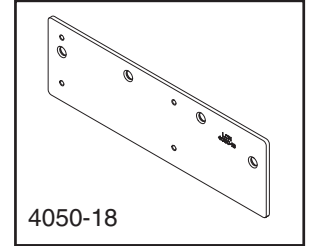
4050 PULL SIDE (DOOR MOUNT) DROP PLATE



Opening	Dimension A
To 100°	7 5/8"
101° to 120°	6 5/8"
121° to 150°	4 5/8"
151° to 180°	4 1/8"

Note: If offset pivots are used. Increase these dimensions by 1/8".

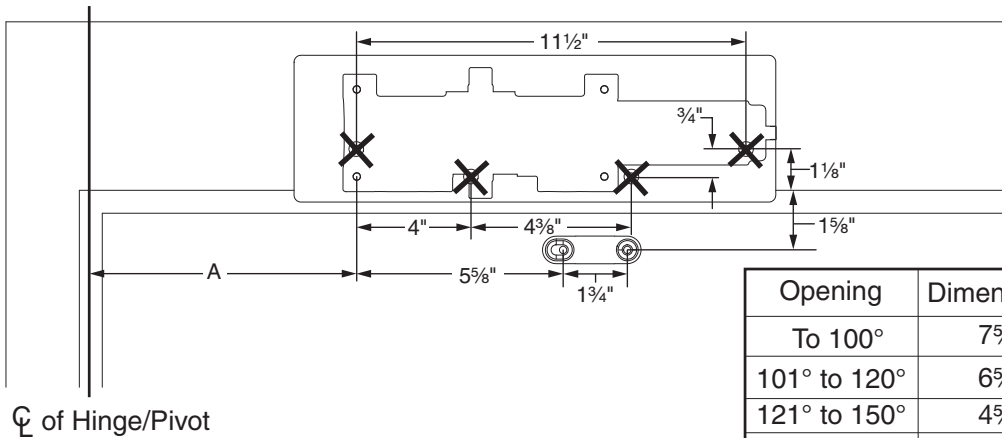
PULL SIDE MOUNT ON: 4050-18 DROP PLATE



4050-18

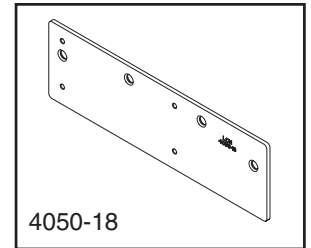
Left Hand door shown, Right Hand opposite. Locate drop plate & shoe from hinge/pivot centerline.

4050 PUSH SIDE (TOP JAMB) DROP PLATE



Opening	Dimension A
To 100°	7 5/8"
101° to 120°	6 5/8"
121° to 150°	4 5/8"
151° to 180°	4 1/8"

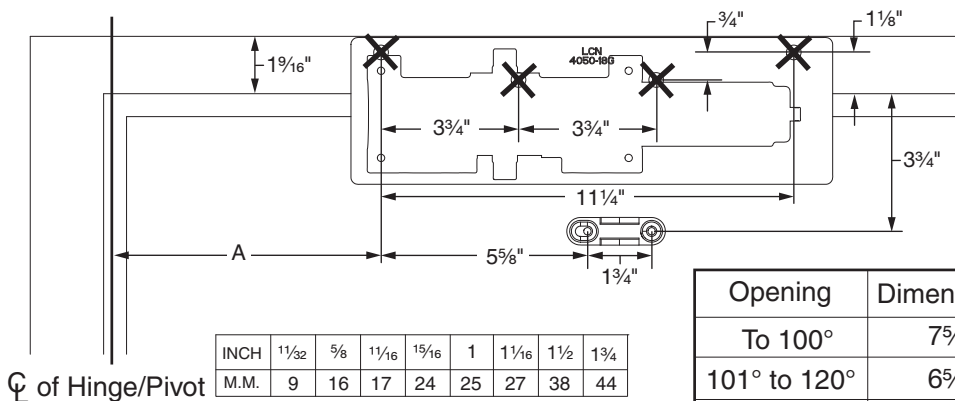
PUSH SIDE MOUNT ON: 4050-18 DROP PLATE



4050-18

Left Hand door shown, Right Hand opposite. Locate drop plate & shoe from hinge/pivot centerline. Maximum reveal of 4 1/8". For reveals 4 1/8" - 8 3/4"; specify long rod.

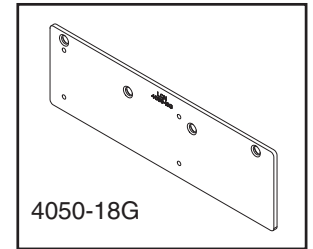
4050 PUSH SIDE (TOP JAMB) DROP PLATE



INCH	1 1/32	5/8	1 1/16	15/16	1	1 1/16	1 1/2	1 3/4
M.M.	9	16	17	24	25	27	38	44
INCH	1 15/16	2 1/2	2 9/16	4 1/8	8 1/4	10 3/4	10 13/16	11 1/4
M.M.	49	64	65	105	210	273	275	286

Opening	Dimension A
To 100°	7 5/8"
101° to 120°	6 5/8"
121° to 150°	4 5/8"
151° to 180°	4 1/8"

PUSH SIDE MOUNT ON: 4050-18G DROP PLATE

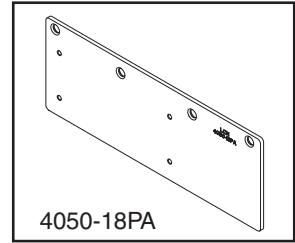
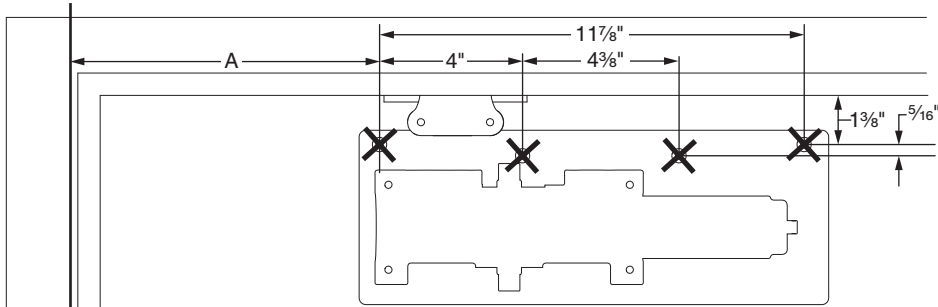


4050-18G

Left hand door shown, Right hand opposite. Locate drop plate & shoe from centerline of pivot or swing clear hinge pin when used. Maximum reveal of 4 1/8". For reveals 4 1/8" - 8 3/4"; specify long rod.

4050 PA PUSH SIDE (DOOR MOUNT) DROP PLATE

PUSH SIDE MOUNT ON: 4050-18PA DROP PLATE

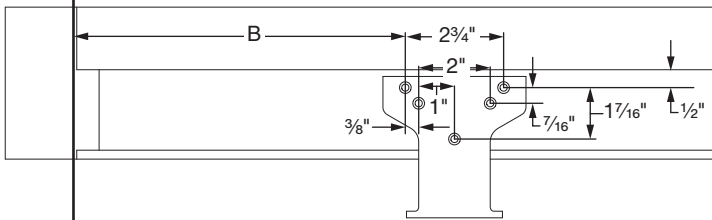


4050-18PA

Left hand door shown,
Right hand opposite.

Locate drop plate & shoe from centerline of pivot or swing clear hinge pin when used.

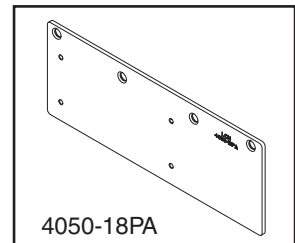
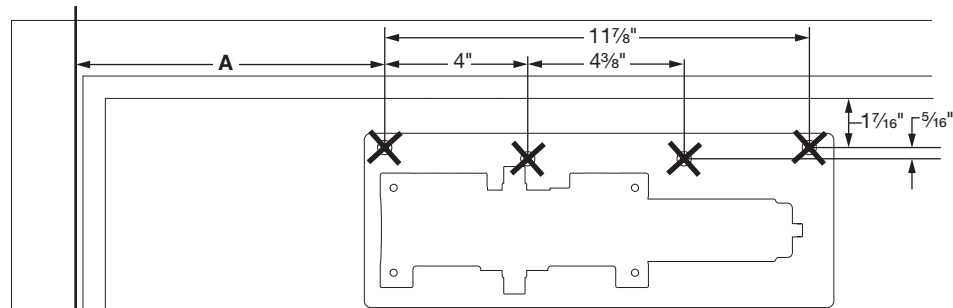
Opening	Dimension A	Dimension B
To 100°	8 1/2"	9 1/4"
101° to 130°	7"	7 3/4"
131° to 150°	6"	6 3/4"
151° to 180°	5"	5 3/4"



⊘ of Hinge/Pivot

4050 EDA PUSH SIDE (DOOR MOUNT) DROP PLATE

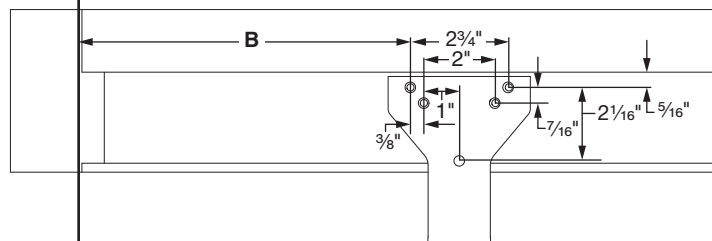
PUSH SIDE MOUNT ON: 4050-18PA DROP PLATE



4050-18PA

Locate drop plate & shoe from centerline of pivot or swing clear hinge pin when used.

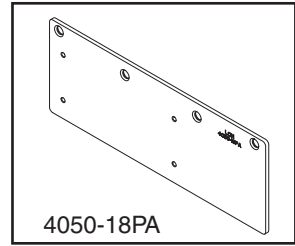
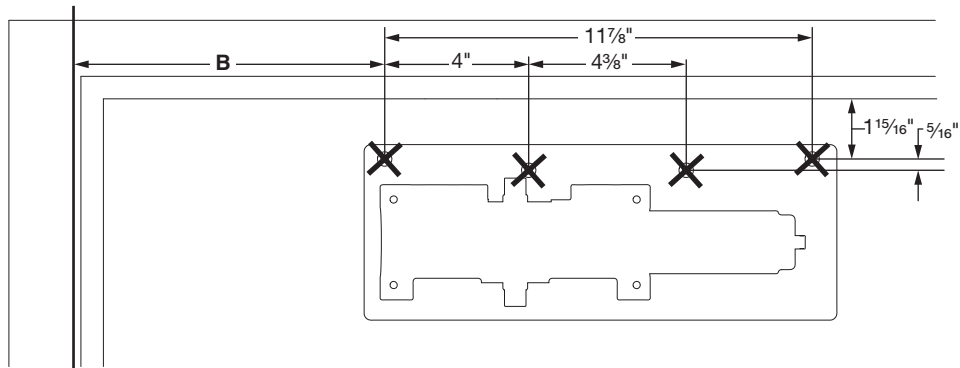
Opening	Dimension A	Dimension B
To 100°	8 1/2"	9 1/4"
101° to 130°	7"	7 3/4"
131° to 150°	6"	6 3/4"
151° to 180°	5"	5 3/4"



⊘ of Hinge/Pivot

4050 EDA Push Side with 62G Arm (Door Mount) Drop Plate

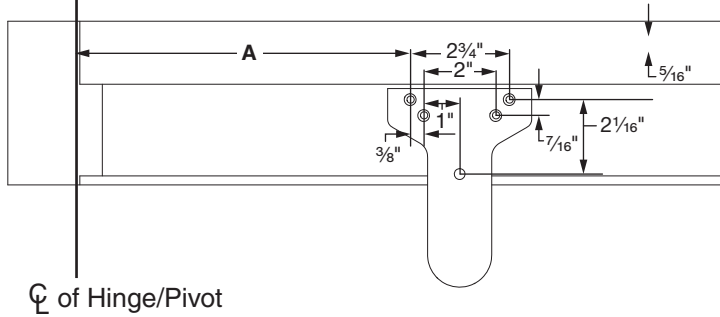
PUSH SIDE MOUNT ON: 4050-18PA DROP PLATE



4050-18PA

Left hand door shown,
Right hand opposite.

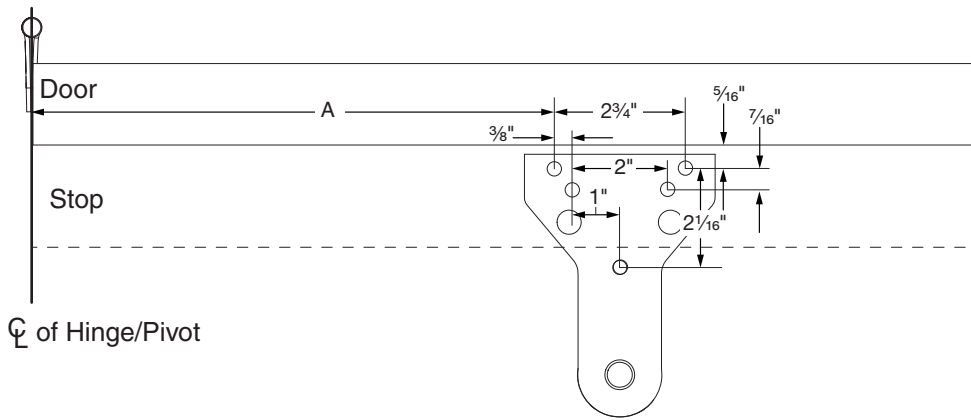
Locate drop plate & shoe from centerline of
pivot or swing clear hinge pin when used.



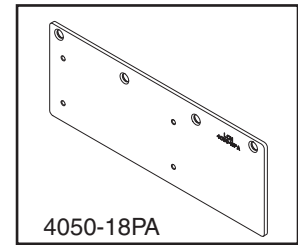
⌀ of Hinge/Pivot

Opening	Dimension A	Dimension B
To 100°	9 1/4"	8 1/2"
101° to 130°	7 3/4"	7"
131° to 150°	6 3/4"	6"
151° to 180°	5 3/4"	5"

4050 CUSH PUSH SIDE (DOOR MOUNT) DROP PLATE



PUSH SIDE MOUNT ON: 4050-18PA DROP PLATE

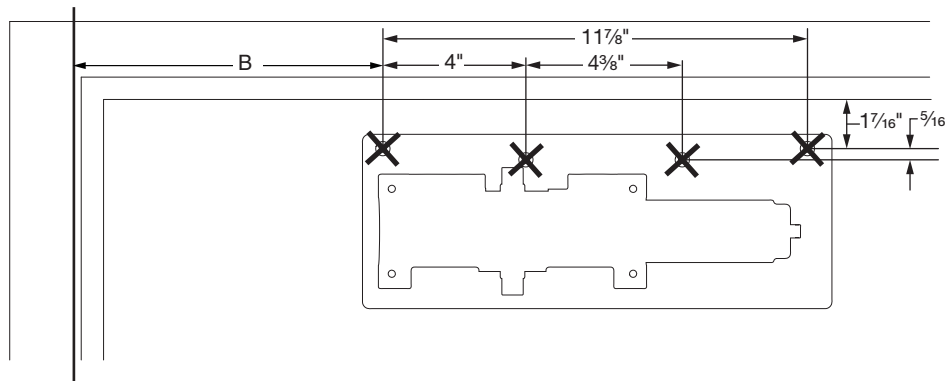


4050-18PA
Left hand door shown,
Right hand opposite.

Locate drop plate & shoe from centerline of pivot or swing clear hinge pin when used.

IMPORTANT

Use spacer block provided for fifth screw $\frac{1}{2}$ " or $\frac{5}{8}$ "



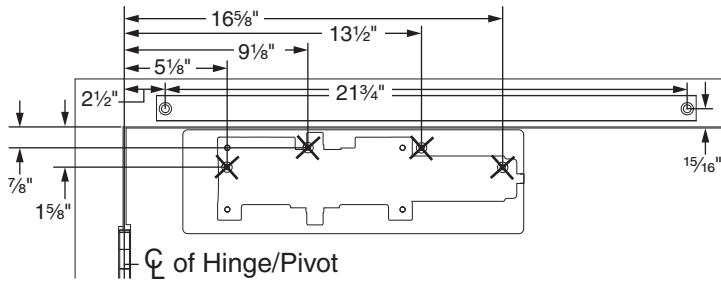
☺ of Hinge/Pivot

Opening	Dimension A	Dimension B
85°	11 ¹ / ₈ "	10 ³ / ₈ "
90°	10 ¹ / ₄ "	9 ¹ / ₂ "
95°	9 ⁵ / ₈ "	8 ⁷ / ₈ "
100°	9"	8 ¹ / ₄ "
105°	8 ³ / ₈ "	7 ⁵ / ₈ "
110°	7 ⁷ / ₈ "	7 ¹ / ₈ "

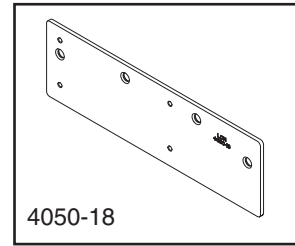
General Notes:

1. If door is hung on pivots
Locate closer and shoe from
☺ of pivot point.
2. Top rail less than 5 ³/₄"
Requires drop plate.
3. All dimensions applicable
For hold open or dead stop.
4. Delayed action optional.
5. Reinforcing per. ANSI/SDI-100
Recommended for hollow
Metal door and frames.
6. ⁵/₈" maximum allowable side
Stop.
7. Using fasters provided
Mount drop plate with
(4) ¹/₄ - 14 x 1 ³/₈ S.R.T.
Mount closer to drop plates
(4) ¹/₄ - 20 x 2 P.H.M.S.
8. Minimum Top Rail Width
is 2 ¹/₄".

4050T PULL SIDE MOUNT DROP PLATE, 180° OPENING

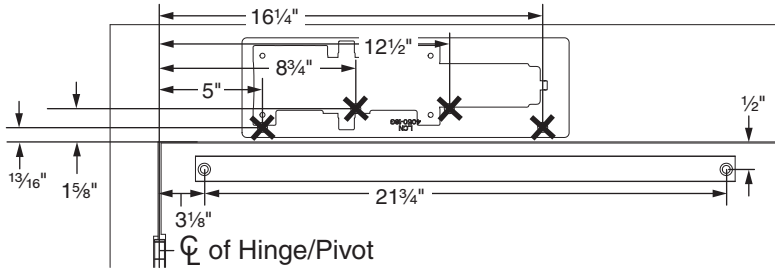


PULL SIDE MOUNT ON: 4050-18 DROP PLATE

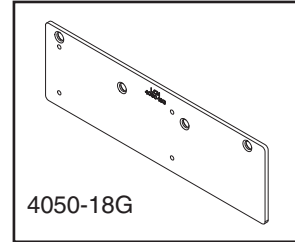


Right hand door shown,
Left hand opposite.

4050T TOP JAMB MOUNT DROP PLATE, 180° OPENING

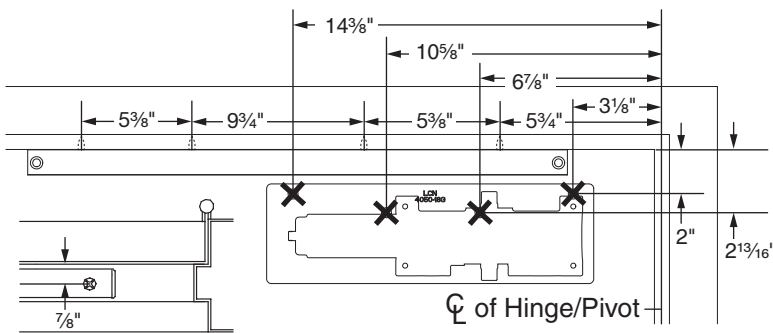


TOP JAMB MOUNT ON: 4050-18G DROP PLATE

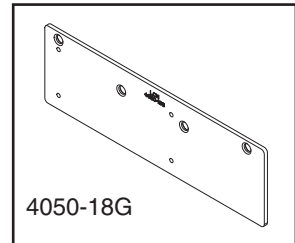


Right hand door shown,
Left hand opposite.

4050T PUSH SIDE MOUNT DROP PLATE, 120° OPENING

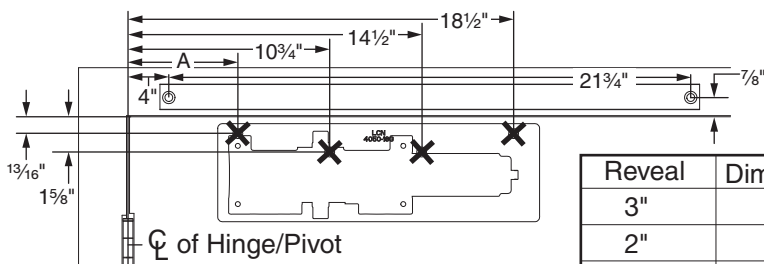


PUSH SIDE MOUNT ON: 4050-18G DROP PLATE

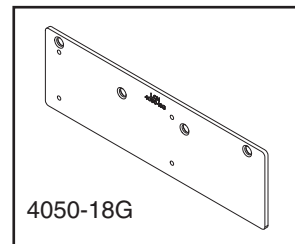


Right hand door shown,
Left hand opposite.

4050T DOUBLE EGRESS (DE) ARM MOUNT DROP PLATE



DE ARM MOUNT ON: 4050-18G DROP PLATE

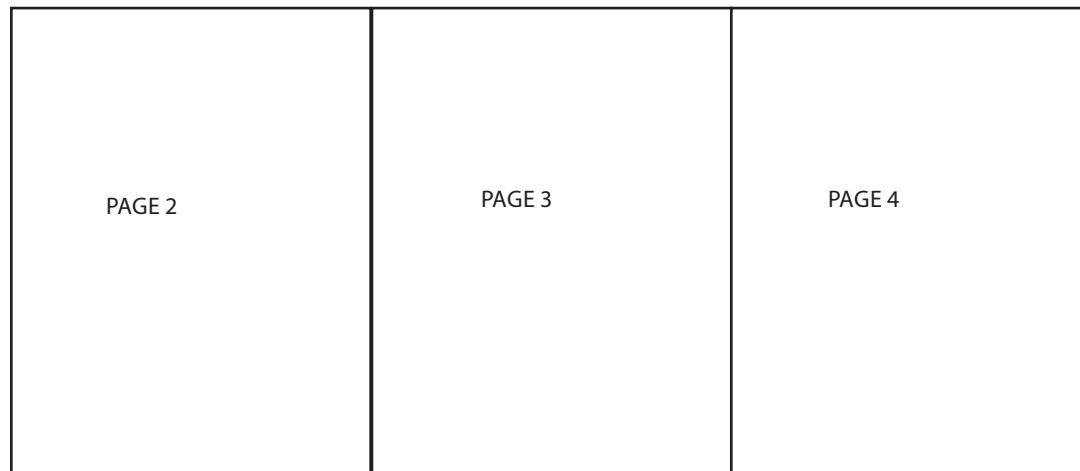
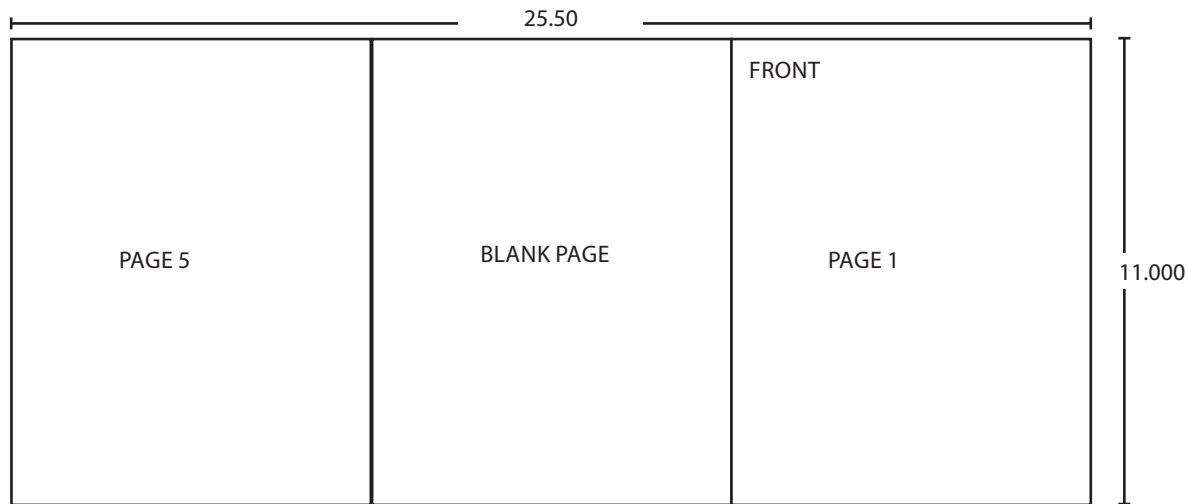


Right hand door shown,
Left hand opposite.

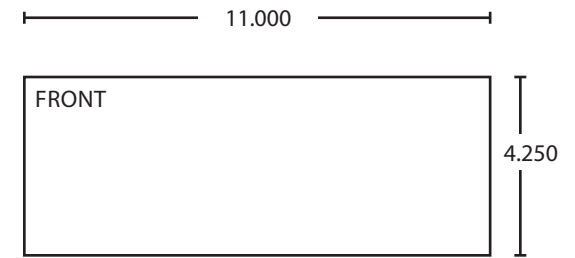
Reveal	Dimension A
3"	7"
2"	6 1/2"
1 1/2"	5 7/8"
1"	5 5/8"

General Notes:

1. If door is hung on pivots
Locate closer and shoe from
C of pivot point.
2. Top rail less than 5 3/4"
Requires drop plate.
3. All dimensions applicable
For hold open or dead stop.
4. Delayed action optional.
5. Reinforcing per. ANSI/SDI-100
Recommended for hollow
Metal door and frames.
6. 5/8" maximum allowable side
Stop.
7. Using fasters provided
Mount drop plate with
(4) 1/4 - 14 x 1 3/8 S.R.T.
Mount closer to drop plates
(4) 1/4 - 20 x 2 P.H.M.S.



BEGINNING SHEET



FOLDED SHEET

Additional Notes:
1. None

Revision History						Revision Description:					
A	B	C	D	E	F	E > Created artwork.					
064650	066037	068676	069143	070262							
Material						Edited By		Approved By		EC Number	Release Date
White Paper						D. Toppins		M. Sasso		070262	10-12-16
Notes						Title					
1. printed two sides						4050/4050 DA Drop Plates Instruction Sheet					
2. printed black						Creation Date		Number		Revision	
3. tolerance ± .13						04-27-10		71689		E	
4. printed in country may vary						Created By		Activity		© Allegion 2016	
5. drawings not to scale						D. Toppins		3899 Hancock Expwy Security, CO 80911			
6. saddle-stitched booklet						Software: InDesign CS6					