

FILTER SERVICE KIT 980 & 7980 SERIES CONTROL BOXES

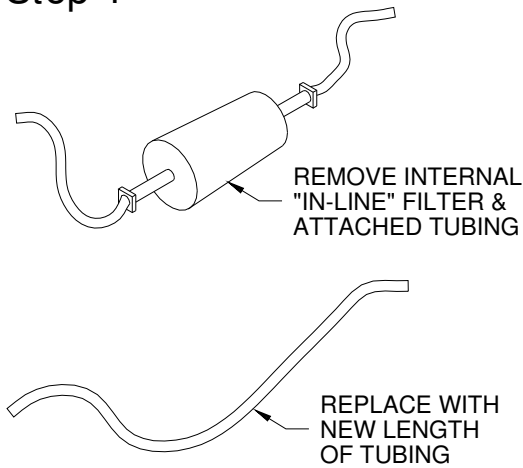
This kit replaces air filters found in original and early model LCN control boxes having the internal in-line filter (shown in Step 1), and in later model control boxes using an external filter (see Step 2).

Determine type of filter being replaced and follow the corresponding instructions below.

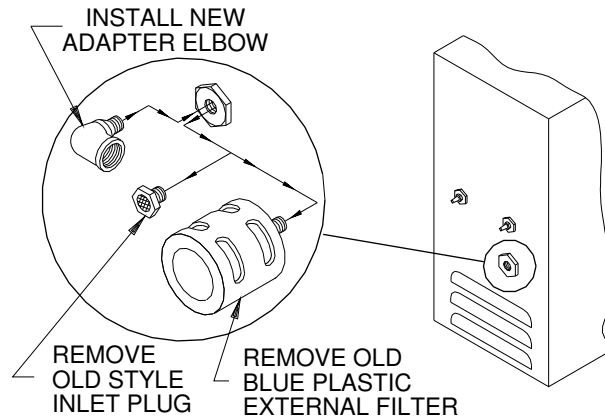
INTERNAL "IN-LINE" FILTER - Locate and remove filter & attached tubing inside control box, begin at Step 1.

EXTERNAL FILTER - Begin with Step 2, as shown below.

Step 1



Step 2



Step 3

