



24746

Conduit Quick Conductor

LCN®

Installation Instructions

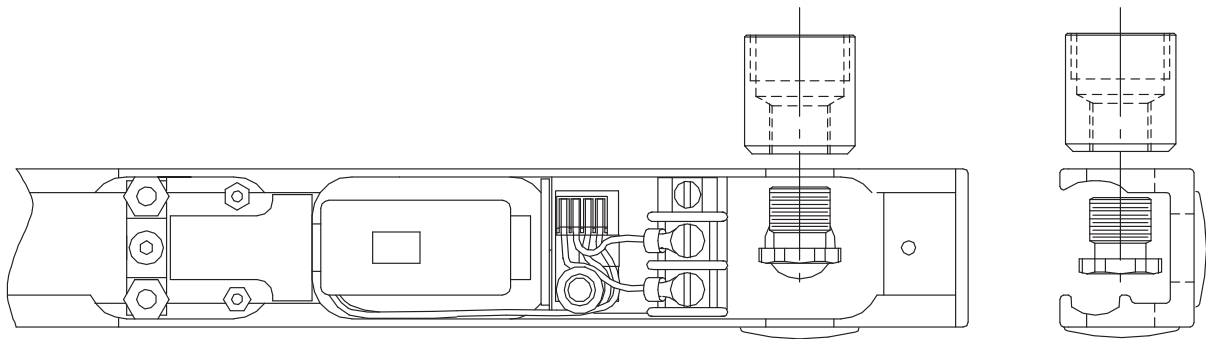


Fig. 1

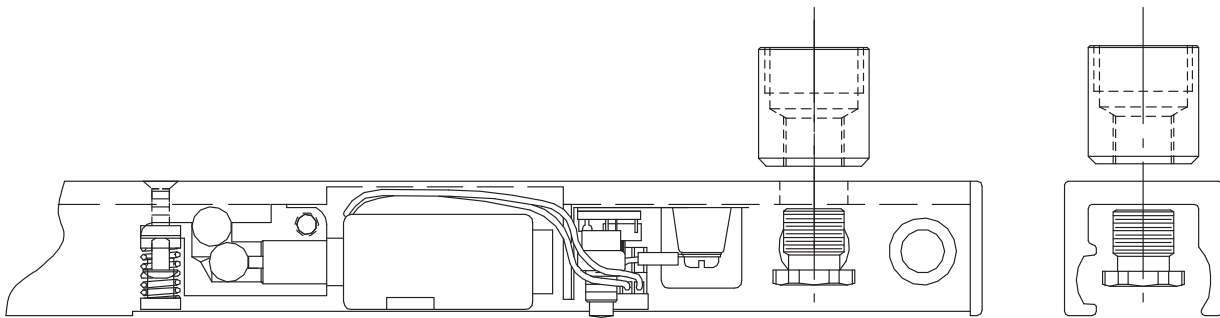


Fig. 2

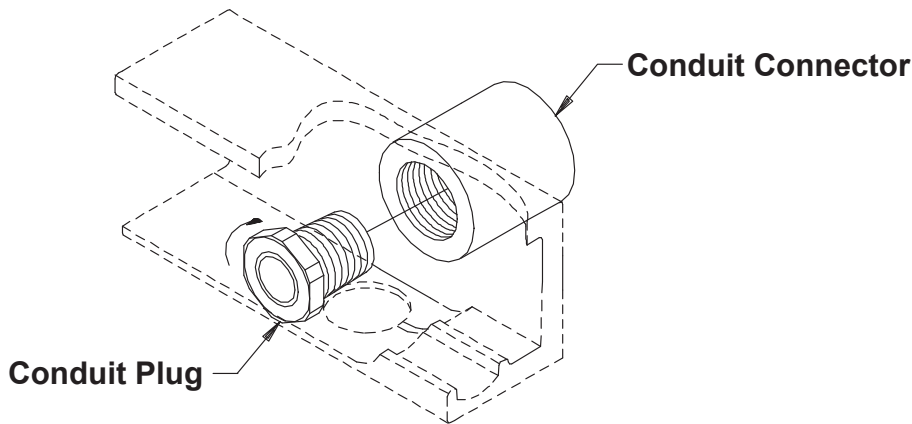
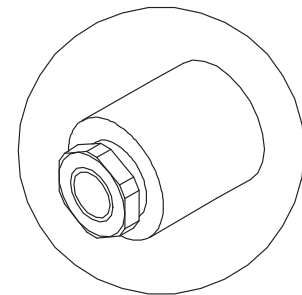


Fig. 3



Conduit Plug shown in Conduit Connector

Installation Instructions

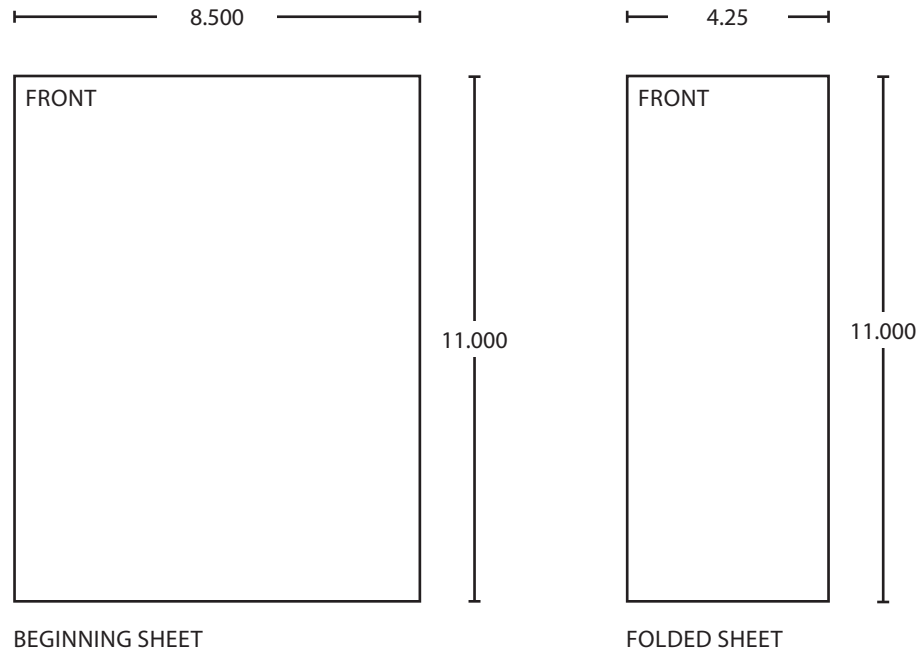
- 1a The Conduit Quick Connector and Plug can be found in the closer screwpack.
- 1b The Conduit Quick Connector should be fastened to the 1/2" concealed conduit prior to step 3 on the closer installation instructions.
- 1c During step 3 on the closer installation instructions, make sure that the Conduit Connector is secured flush against the track surface. See option in Fig. 1 below that matches the mounting option selected for track surface. With the track mounted, take the Conduit Plug and slide it through the 1/2" hole in the track. (see Fig.2) Tighten the Plug into the Conduit Connector using a 5/8" wrench, until completely secure, as shown in Fig.3.

Customer Service

1-877-671-7011 www.allegion.com/us



© Allegion 2014
Printed in U.S.A.
24746 Rev. 01/14-d



Additional Notes:
1. None

Revision History						Revision Description: D > Revised artwork							
D	E	F	G	H	J								
043228													
Material White Paper						Edited By D. Myers		Approved By M. Sasso		EC Number 043228	Release Date 01-01-14		
Notes 1. printed one side 2. printed black 3. tolerance ± .13 4. printed in country may vary 5. drawings not to scale						Title Conduit Quick Connector Instruction Sheet							
						Creation Date 04-27-10		Number 24746			Revision D		
						Created By N/A		Activity 3899 Hancock Expwy Security, CO 80911		© Allegion 2014			
						Software: InDesign CS6							