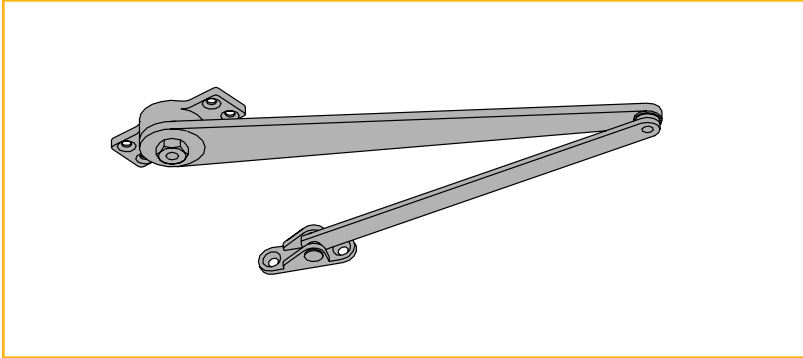


PAH 60

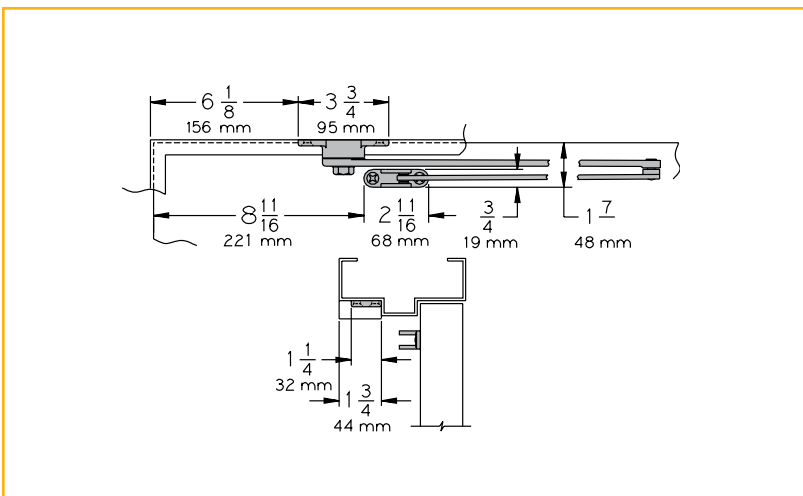


The PAH 60 is recommended for use on the inactive leaf of a pair of doors where the active leaf has a door closer installed.

MAXIMUM OPENING

Hold-open points up to 180°.

- Standard holder shipped with wood and machine screw pack.
- Handed for right or left swinging doors.
- Standard or optional custom powder coat finish.
- Hold-open point adjustable at the soffit shoe.
- Optional plated finish on holder and fasteners.
- Optional SRI primer for installations in corrosive conditions.



HOW-TO-ORDER PAH 60 HOLDER

1. SPECIFY HAND

- RH
- LH

2. SPECIFY FINISH

- Standard Powder Coat _____
Aluminum, Dark Bronze, Tan, Statuary,
Light Bronze, Black, Brass.

OPTIONAL ARM FINISH

- Custom Powder Coat (RAL) _____
- Plated Finish, US _____
- SRI Primer

- Butt Hinges should not exceed 5" (127 mm) in width.
- Auxiliary Stop recommended at hold-open point.
- Top Rail minimum 2" (51 mm).
- Rabbet Depth minimum 1-1/4" (32 mm).

