

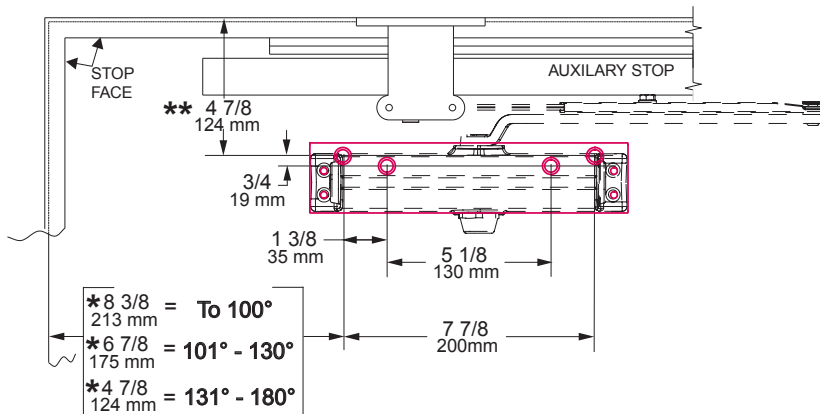
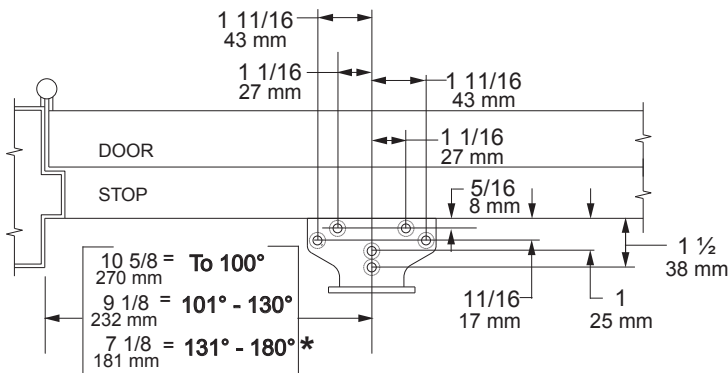
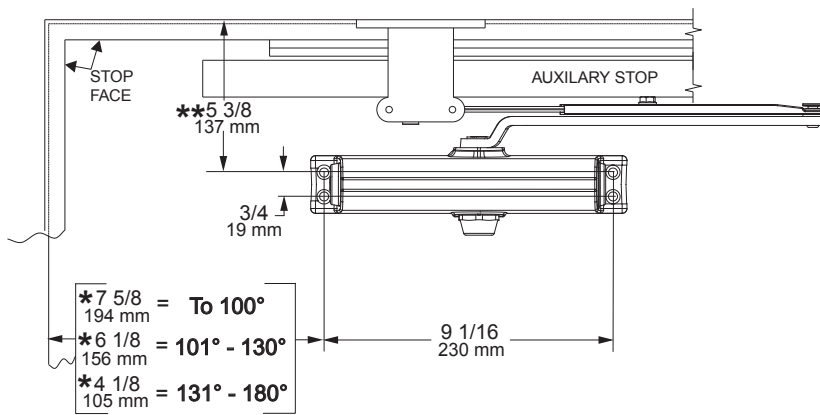
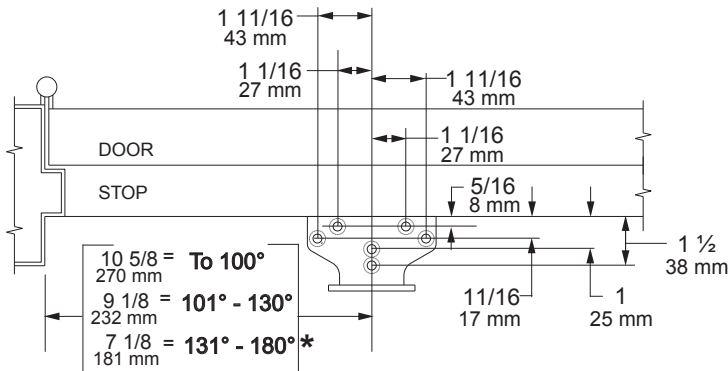


29901

1261-62A Shoe

LCN®

Installation Instructions

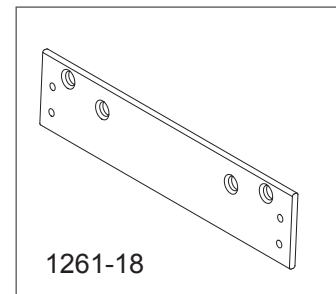


General Notes

- 1a *Locate closer & shoe from centerline of pivot or swing clear hinge pin when used.
- 1b **This dimension is always from the same surface as the shoe is mounted on.
- 1c Top rail less than 6 1/2" requires a drop plate.
- 1d The auxiliary stop is shown for reference only. This template may be used to provide clearance for other types of hardware such as coordinators, sound seals etc.
- 1e Reinforcing per ANSI/SDI-100 recommended for hollow metal doors and frames.
- 1f Closer size is 10" x 2 1/4" x 2 7/8".

ⓘ Attention!

- Stop width 1 1/4" to 3 1/4" mount shoe in rabbet behind stop.
- Stop width over 3 1/4" mount shoe to stop face no closer than 1 1/4" to door face.
- Use the five mounting screws provided.



Customer Service

1-877-671-7011 www.allegion.com/us

