

# LPM19x Series

- **MOTORIZED LATCH RETRACTION IN A MORTISE LOCK**
- **GREAT INTEGRATED SOLUTION FOR DOORS W/ AUTO-OPERATORS**
- **DIRECT RETROFIT FOR SCHLAGE L SERIES**
- **LATCH RETRACTION X LEVER CONTROL MODELS OFFER GREATER CONTROL, IDEAL FOR SINGLE OCCUPANCY RESTROOMS**
- **UL LISTED**



The Command Access LPM190 series motorized latch retraction mortise lock utilizes a high-quality Grade 1 chassis built to withstand years of abuse. This unique model brings latch retraction to a standard mortise lockset & is the perfect solution for push-pull conditions, handicap access, single-occupancy restroom applications, and automatic operators where panic devices are unnecessary. It utilizes a CAT-designed custom motor assembly to maximize the pulling force, lower surge, allowing long wire runs and multiple locks on one power supply. This mortise lock uses standard 'type 86' door prep and is a *direct retrofit* to Schlage L9000 compatible trim. We offer this model as chassis only or with complete trim. Available with lever control solenoid for latch retraction x lever control allowing for multiple speciality functions.

## SPECIFICATIONS

### Voltage: Latch Retraction

- Voltage range – 24 +/- 10%
- System protection – unit shutdown when voltage exceeds 28VDC
- Standard - Average Current Peak: 1A, Average Current Hold: 300mA

### Lever Control

- Operating Voltage – Specify 12 or 24VAC/DC (+/- 10%)
- Amperage - 24v = 350mA or 12V = 700mA
- Solenoid coil resistance – 24v = 69Ω

### Wire Run:

- 300' with 18ga wire

### Product Details:

- Chassis Only • Box: 10.5" x 3.75": x 2.5" • Weight: 3 Lbs • Master Pack Qty: 10 ea.
- Complete Lock • Box: 10.5" x 3.75": x 2.5" • Weight: 7 Lbs • Master Pack Qty: 4 ea.

### Accessories

- Request-to-Exit - Field Installable
- Latchbolt Monitor Switch - Field Installable
- Door Position Switch - See IDPS series

## FEATURES

- Built-in Smart Module: Simplifies installation, low current draw & provides latch sensing status.
- Rated for continuous duty - Auto re-engage if latch is pulled from held back position
- Up to 300' wire run with 2-18ga wire - Long wire runs provides installer with convenience of placing the Command locking hardware power supply in a centralized location; i.e. the same closet as the access control panel
- 8' cable with Quick Connect to easily connect to power supply lead
- Built-in REX & LBM switches available.
- Field-Handable - Direct Retrofit for Schlage L9000 series
- 3-year "no hassle" warranty





ALWAYS HERE TO HELP



ELECTRIFIED LATCH RETRACTION

# LPM1 SERIES FUNCTIONS

ALWAYS HERE TO HELP

<b>LPM1910EU</b> passage	<b>Latchbolt Control:</b> <b>Lever Control:</b>	<i>Motorized</i> Latchbolt retracted by lever outside or by lever inside. Applied power electronically (EU) retracts latchbolt for push/pull operation. <u>Outside Lever &amp; Inside Lever</u> Always free ingress & egress
<b>LPM190EU</b> storeroom	<b>Latchbolt Control:</b> <b>Lever Control:</b>	<i>Motorized</i> Latchbolt retracted by key outside or by lever inside. Applied power electronically (EU) retracts latchbolt for push/pull operation. <u>Outside Lever</u> Always Rigid (Locked) <u>Inside Lever</u> Always free egress
<b>LPM192EU</b> institutional	<b>Latchbolt Control:</b> <b>Lever Control:</b>	<i>Motorized</i> Latchbolt retracted by key outside or inside (Double Cylinder operation). Applied power electronically (EU) retracts latchbolt for push/pull operation. <u>Outside Lever &amp; Inside Lever</u> Always Rigid (Locked)
<b>LPM193EUxEL</b> <b>LPM194EUxEU</b> storeroom X storeroom	<b>Latchbolt Control:</b> X <b>Lever Control:</b>	<i>Motorized</i> Latchbolt retracted by key outside or inside Applied power electronically (EU) retracts latchbolt for push/pull operation. <u>Outside Lever</u> EL - locked electronically: Applied power prohibits Outside lever from retracting latchbolt. EU - unlocked electronically: Applied power allows Outside lever to retract latchbolt. <u>Inside Lever</u> Always free egress. Latchbolt retracted by key outside or inside. Applied power electronically (EU only) retracts latchbolt for push/pull operation.
<b>LPM195EUxEL</b> <b>LPM196EUxEU</b> institutional X storeroom	<b>Latchbolt Control:</b> X <b>Lever Control:</b>	<i>Motorized</i> Latchbolt retracted by key outside or inside Applied power electronically (EU) retracts latchbolt for push/pull operation. <u>Outside Lever</u> Always Clutching (Does not activate outside lever at anytime) <u>Inside Lever</u> EL - locked electronically: Applied power prohibits Inside lever from retracting latchbolt. EU - unlocked electronically: Applied power allows Inside lever to retract latchbolt.
<b>LPM197EUxEL</b> <b>LPM198EUxEU</b> institutional X institutional	<b>Latchbolt Control:</b> X <b>Lever Control:</b>	<i>Motorized</i> Latchbolt retracted by key outside or inside (Double Cylinder operation). Applied power electronically (EU only) retracts latchbolt for push/pull operation. <u>Outside Lever &amp; Inside Lever</u> EL - locked electronically: Applied power prohibits both levers from retracting latchbolt. EU - unlocked electronically: Applied power allows both levers to retract latchbolt.

## SINGLE OCCUPANCY PRIVACY BATHROOM PACKAGE



ADD ON EMERGENCY KIT



INCLUDED WITH UPBK2



# HOW TO ORDER

## TRIMS AVAILABLE



## LEVERS AVAILABLE



## FINISHES AVAILABLE

- 605
- 612
- 613
- 625
- 626

## SAMPLE

- L3 605
- L7B 613
- ESC17 626

**Trim Dimensions**  
 L = 2-7/16"  
 LB = 2-3/4"  
 ESC = 1-3/4" x 8"

Note: Less OS or IS trim available upon request

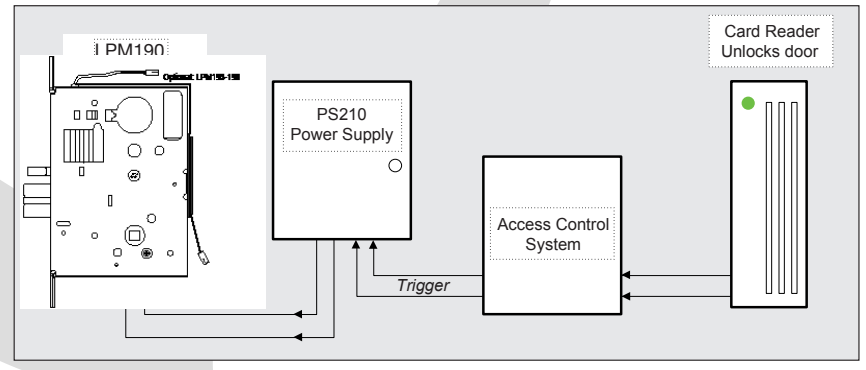
All configurations not available . Call for availability

## EXAMPLE

- Complete Lock: LPM1910 EU L6B 626 LBM
- Chassis Only: LPM193 EU x EL CH REX LBM

## CONTROLLED ACCESS APPLICATION

The Command Access LPM190 mortise lock may be utilized in conjunction with any access control application using standard mortise locksets. When activated the LPM190 creates a push/pull that satisfies both in-swinging and out-swinging doors. Inside free egress can be attained by turning the inside lever to manually open the door. Outside access is controlled by the access control system or by physical key override.



## NEED A LOCKING HARDWARE POWER SUPPLY?

RECOMMENDED LOCKING HARDWARE POWER SUPPLIES:

- PS204/PS204B
- PS220/220B
- PS480B
- PS210
- PS440B

