

SDC Security Door Controls

801 Avenida Acaso, Camarillo, Ca. 93012 • (805) 494-0622 •
www.sdcsecurity.com • E-mail: service@sdsecurity.com

* Visit: sdsec.com/adamsrite
For Installation video

INSTALLATION INSTRUCTIONS LR100ARK ADAMS RITE ELECTRIC LATCH RETRACTION DEVICE KIT RIM EXIT DEVICE MODELS: 3700 & 8800

Assemble brackets
as shown for different
size Exit Devices.

36" or 42"

48"

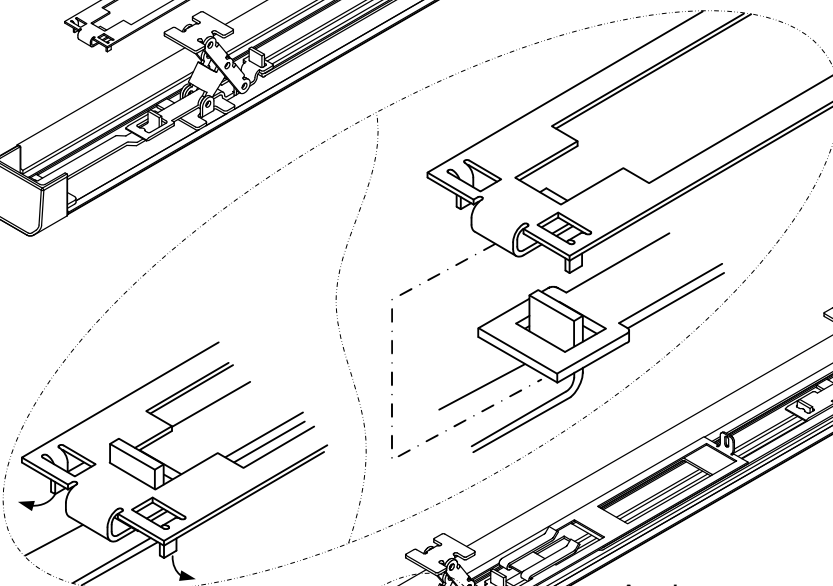
Retrofit Installation Note: 42" or 48" exit devices that have been modified to fit a 36" or smaller opening, may not have the required space to fit the standard E. L. R. assembly. Always verify the distance from the end of the touchpad to the end rail, and if necessary, consult with the factory for appropriate selection.

Remove
End Cap

Install the ELR bracket
assembly into device
extrusion, over the Push
Bar support brackets.

Push Bar
support bracket

Attach the Bracket assembly to
the existing Device linkage as
shown. Once the Bracket is in
place, bend out the tabs so the
Bracket assembly will slide easily,
without falling out or binding.



Slide ELR into back of
device and attach to
bracket assembly with
supplied screw.

Bend tabs out

Apply power to the ELR unit to make it draw the
sliding latch bracket back to the open position.
Secure in position by tightening the set screws in the
ELR assembly.

ELECTRICAL DATA
24VDC @ 700/200mA
RED (+) BLK (-)
PATENT #8,851,530

Any suggestions or comments to this instruction or
product are welcome. Please contact us through
our website or email engineer@sdsecurity.com

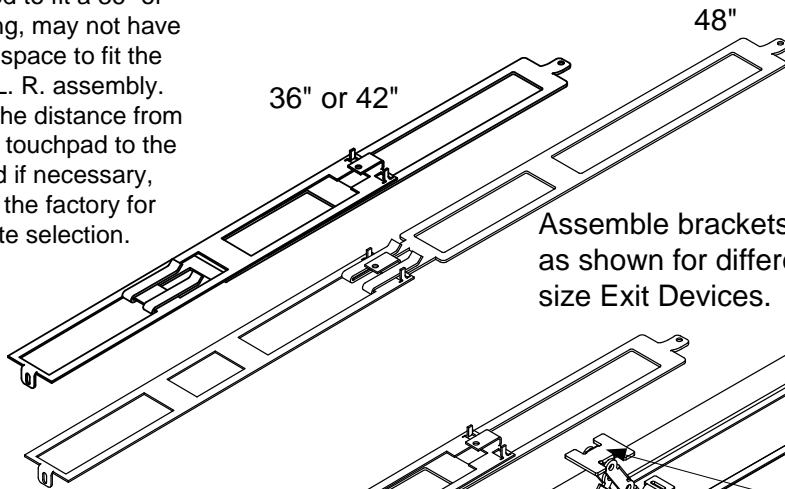
SDC Security Door Controls

801 Avenida Acaso, Camarillo, Ca. 93012 • (805) 494-0622 •
www.sdcsecurity.com • E-mail: service@sdsecurity.com

* Visit: sdsec.com/adamsrite
For Installation video

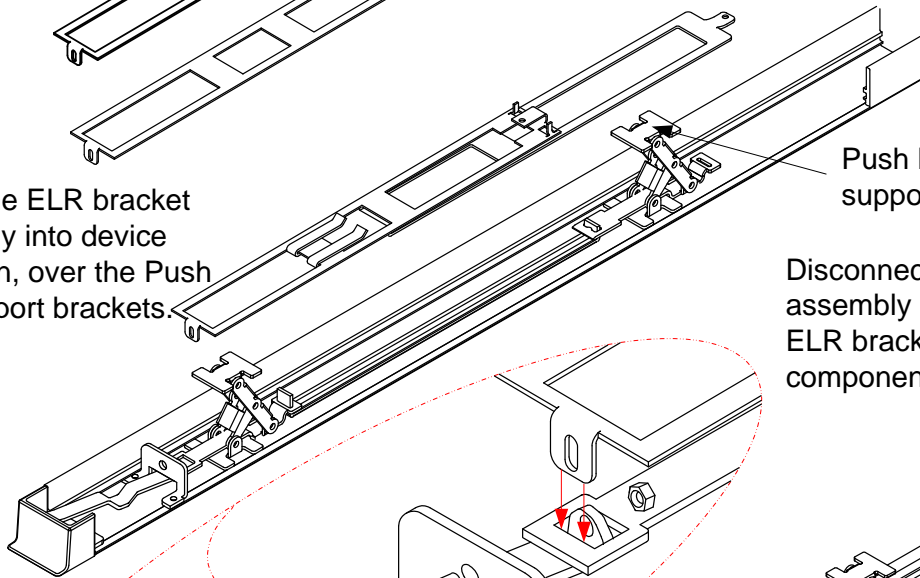
INSTALLATION INSTRUCTIONS LR100ARK ADAMS RITE ELECTRIC LATCH RETRACTION DEVICE KIT VERTICAL ROD EXIT DEVICE MODELS: 3100, 3600, 8100, 8200, 8500 & 8600

Retrofit Installation Note: 42" or 48" exit devices that have been modified to fit a 36" or smaller opening, may not have the required space to fit the standard E. L. R. assembly. Always verify the distance from the end of the touchpad to the end rail, and if necessary, consult with the factory for appropriate selection.

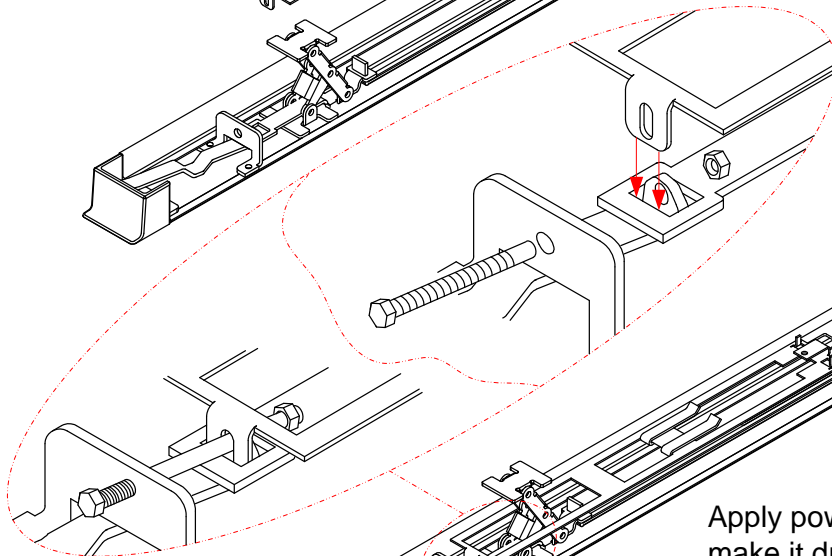


When retrofitting to existing vertical rod devices, adjustment of the rods is required for proper operation of the Electric Latch Retractor. Once the unit is properly installed, energize it so the latch is dogged down, then reconnect the vertical rods to the device and make the proper adjustments.

Install the ELR bracket assembly into device extrusion, over the Push Bar support brackets.



Disconnect the spring-bolt latching assembly and use it to connect the ELR bracket assembly to the existing components as shown.



Slide ELR into back of device and attach to bracket assembly with supplied screw.

Apply power to the ELR unit to make it draw the sliding latch bracket back to the open position. Secure in position by tightening the set screws in the ELR assembly.

Any suggestions or comments to this instruction or product are welcome. Please contact us through our website or email engineer@sdsecurity.com

ELECTRICAL DATA
24VDC @ 700/200mA
RED (+) BLK (-)
PATENT #8,851,530